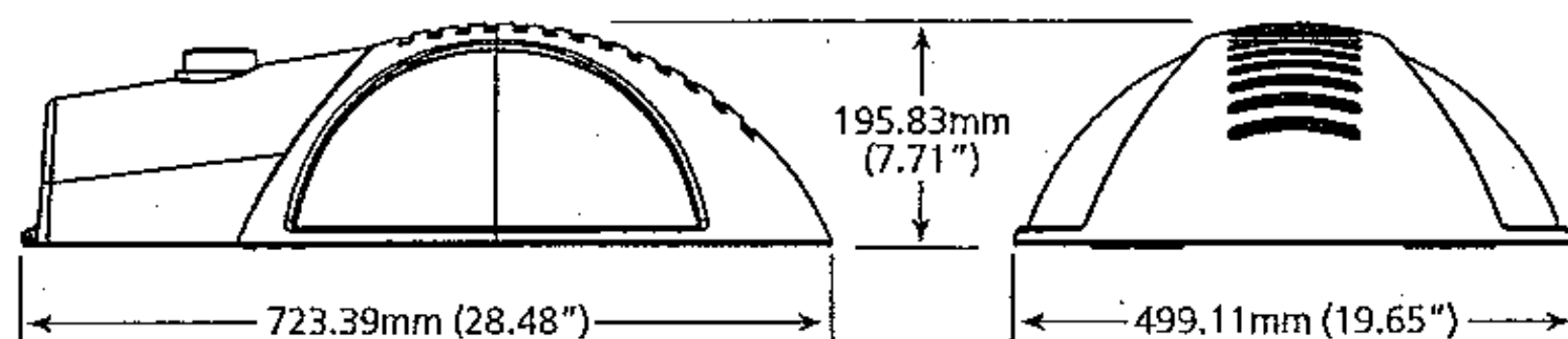
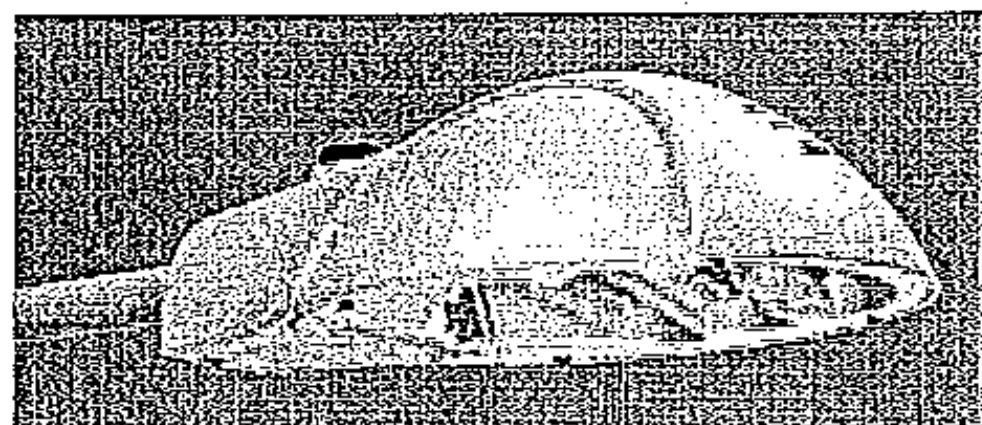


ORDERING INFORMATION

DIMENSIONAL DETAILS



Maximum Weight: 12.7 kg (28 lbs)
 Maximum E.P.A.: 0.62 sq. ft.

PERFORMANCE SPECIFICATIONS

General Construction

Rugged die cast aluminum housing, low copper aluminum, allow for corrosion resistance and long life. Horizontal arm mount with +/-6 degrees vertical adjustment. Four bolt mast arm provides easy, secure installation and adjustability for arms 1 1/4 to 2" (1 1/4- 2 3/8 inch O.D.) Trigger latch disengages for easy access to four-bolt-mounting, terminal block, surge protection module, LED drivers, and electronic transfer switch. An optimized maintained thermal management system is achieved by combining a robust heat sink utilizing both convection and conduction methodology with a mechanical design that provides maximum airflow ensuring a minimum of 50,000 hours L70 at 25°C operating ambient. Internal perforated stainless steel cover protects the luminaire against dirt and foliage build up while maintaining the integrity of the airflow requirement. Solar guard technology isolates top cover of luminaire from thermal heat sink through four touch points providing protection from solar loading while not in operation.

Environmental

Luminaire design and tested to comply with ANSI C136:31 2001 for 100,000 cycles at 3G acceleration for normal road and bridge applications. The range of luminaire operation is -40°C to +50°C. Six sealed LED light engines meet dust and moisture rating of IP-66 per IEC 60068-2-3 1987 ensures long component life and protection from the environment. The luminaire is finished with polyester paint applied after a pretreatment process to ensure maximum durability. The finish shall pass the 1000 hour salt fog test per ASTM B117 and D1654 standard. The luminaire passed Humidity testing per IEC 60068-2-3 1987 and passed Temperature-Voltage Cycling and Condensing Humidity testing per Acuity Brands Validation Test Specification 902-00007-001

Regulatory

The luminaire is designed to meet CSA-C22.2 number 250, wet location. See chart below for model rating based on drive current and led combination.

Series	Drive Current	Number of LEDs	Operating Ambient
LEDG	350mA	36,60,72,84,96,108,120	40°C
LEDG	525mA	36,48,60,72,84,96,108,120	40°C
LEDG	700mA	72,60,48,36	40°C
LEDG	700mA	84	35°C
LEDG	700mA	96	30°C
LEDG	700mA	108	25°C

The luminaire is ROHS compliant. Luminaire meets EMI compliance per FCC Title 47 CFR Part 15, Class A.

Electrical

The surge protection is tested to ANSI/IEEE62.41-2002 specification. For the AS voltage option (120-277), the device meets category C high (20kV, 10kA). For AH voltage rating (347-480), the protection level is category C low. (6kV, 3kA) The surge protection module (SPD) protects all downstream electronics such as led drivers, transfer switch, and relays for the purpose of protecting from electrical disturbances such as nearby lightning strikes. Extended life driver option (EL 350 mA only) provides both main and auxiliary driver system extending system driver to 200,000 hours minimum. The control in EL option constantly monitors an output current of the main driver. In the event of a main driver failure (no output current), the control switches power to the auxiliary driver. The auxiliary driver is not energized during normal operation. The photocontrol receptacle is adjustable without tools and is ROAM compatible. The luminaire is designed to conform to ANSI C82.77:2002 for maximum total harmonic distortion (THD) -20%. Inrush current complies with NEMA410:2004 table B-2 and line fluctuations and ramp input voltage per UL 991:2004. The luminaire conforms to electromagnetic compatibility tests for electrostatic discharge (ESD) per IEC 61000-4-2:2001, Level 4.

Optical

Environmentally friendly, zero uplight luminaire reduces light pollution. Glass optics provides minimal dirt depreciation and will not discolor or become brittle over time. The permanence of glass results in less dirt depreciation and more maintained lumens on the intended space. The luminaire is available with narrow, medium, and wide asymmetric distributions designed to maximize pole spacing and reduce energy usage resulting in a lower total cost of ownership. The highly engineered light engine is designed to restrict direct view of individual LED's increasing visual comfort within the field of view. The luminaire is available with LED color temperatures of 4000K and 5000K. Reference www.Holophane.com for individual photometric tests on LEDgend LED luminaire that are tested per LM79 guidelines. Consult factory for LM80 data as that varies per LED chip manufacturer.

Warranty

Five year limited warranty on LED light engine. Five year limited warranty on LED drivers. Five year limited warranty on non electrical components.