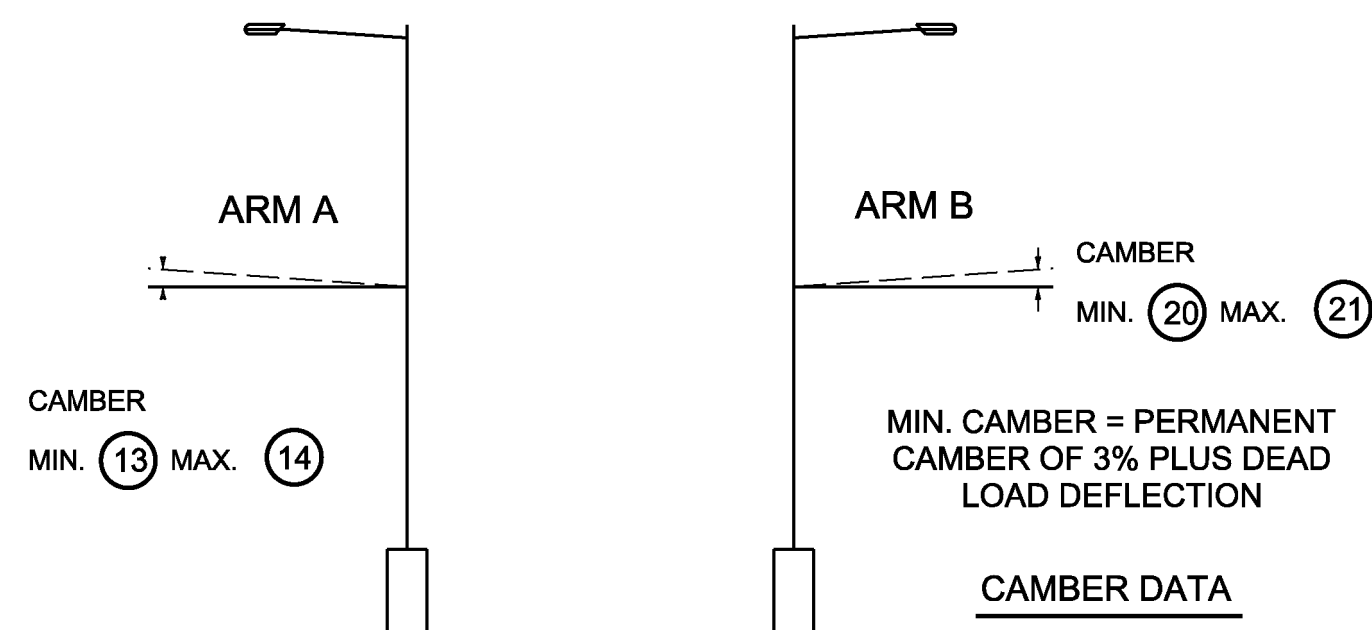


MAP1 & MAP2

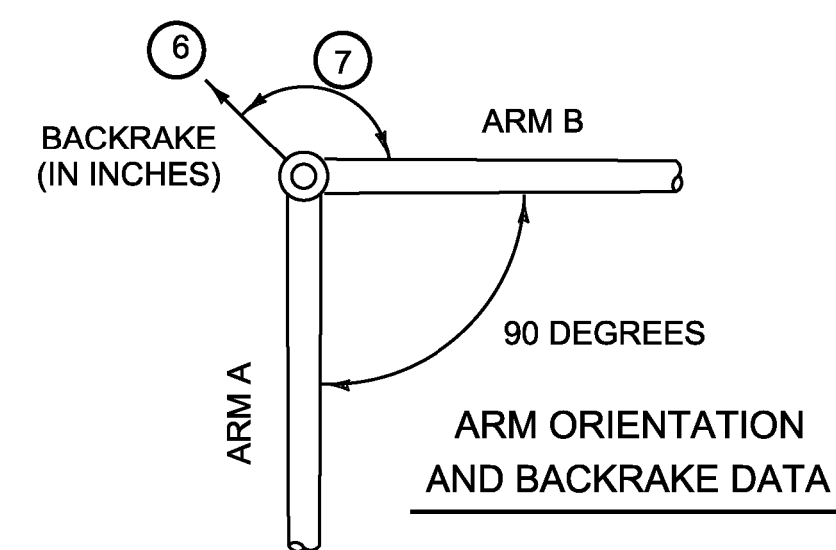
- POLE BASE DIAMETER (3)
- POLE GAUGE (4)
- POLE TAPER RATE (5)

- ARM B DIAMETER (10)
- ARM B GAUGE (11)
- ARM B TAPER RATE (12)

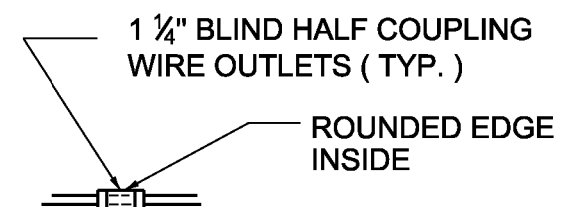
- ARM A DIAMETER (17)
- ARM A GAUGE (18)
- ARM A TAPER RATE (19)



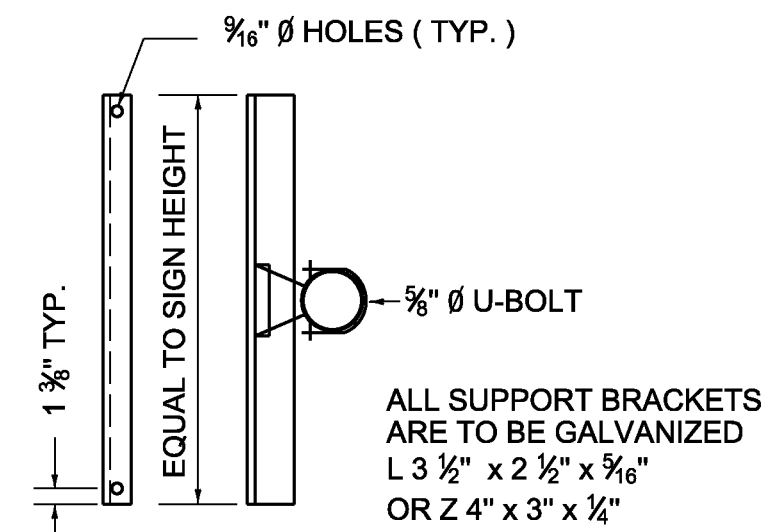
CAMBER DATA



ARM ORIENTATION AND BACKRAKE DATA



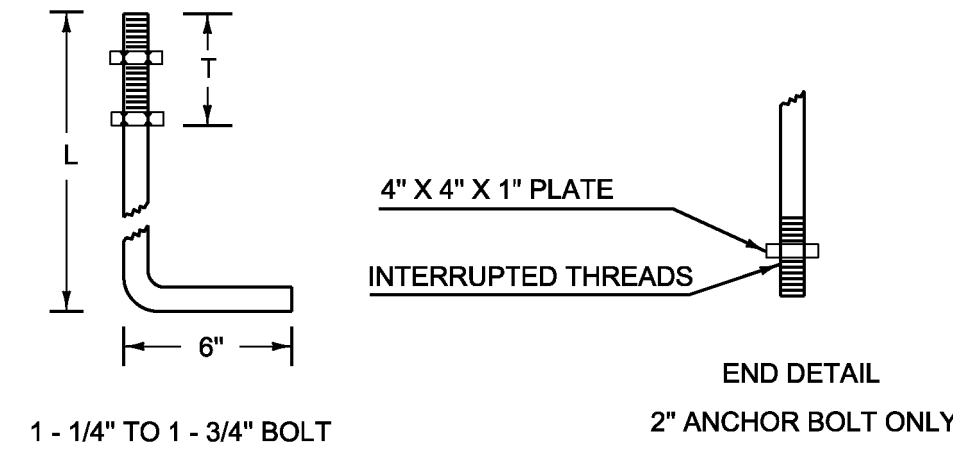
DETAIL A



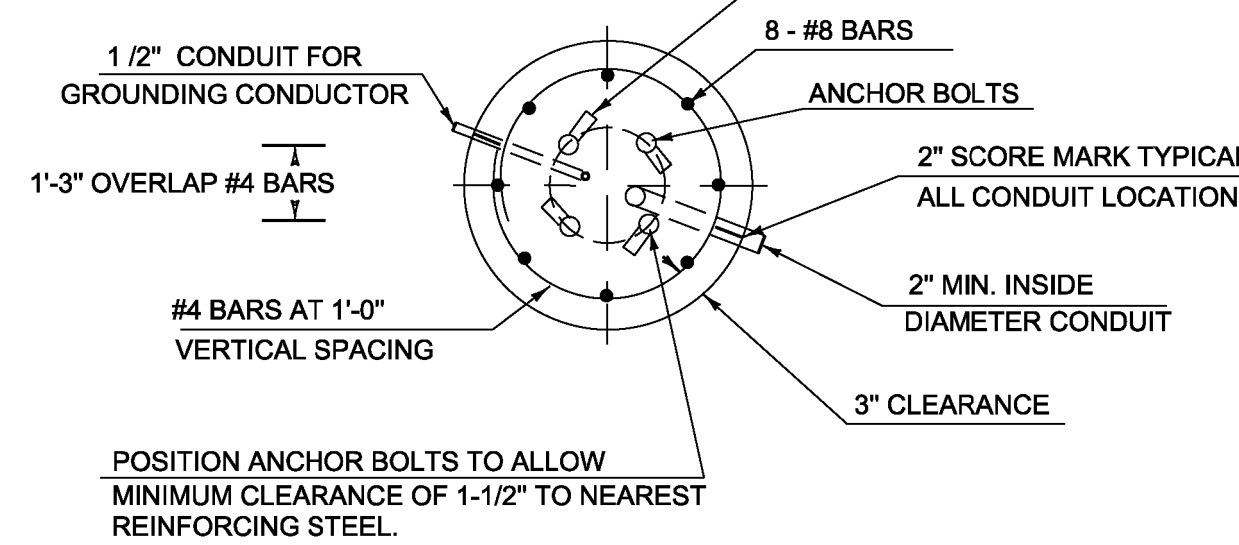
SIGN ON SINGLE MAST ARM

SIGN BRACKET DETAILS

ANCHOR BOLT DETAIL			
SIZE	L (IN)	T (IN)	
1 - 1/4" X 48"	42	8	
1 - 1/2" X 60"	54	9	
1 - 3/4" X 90"	84	9	
2" X 96"	96	9	



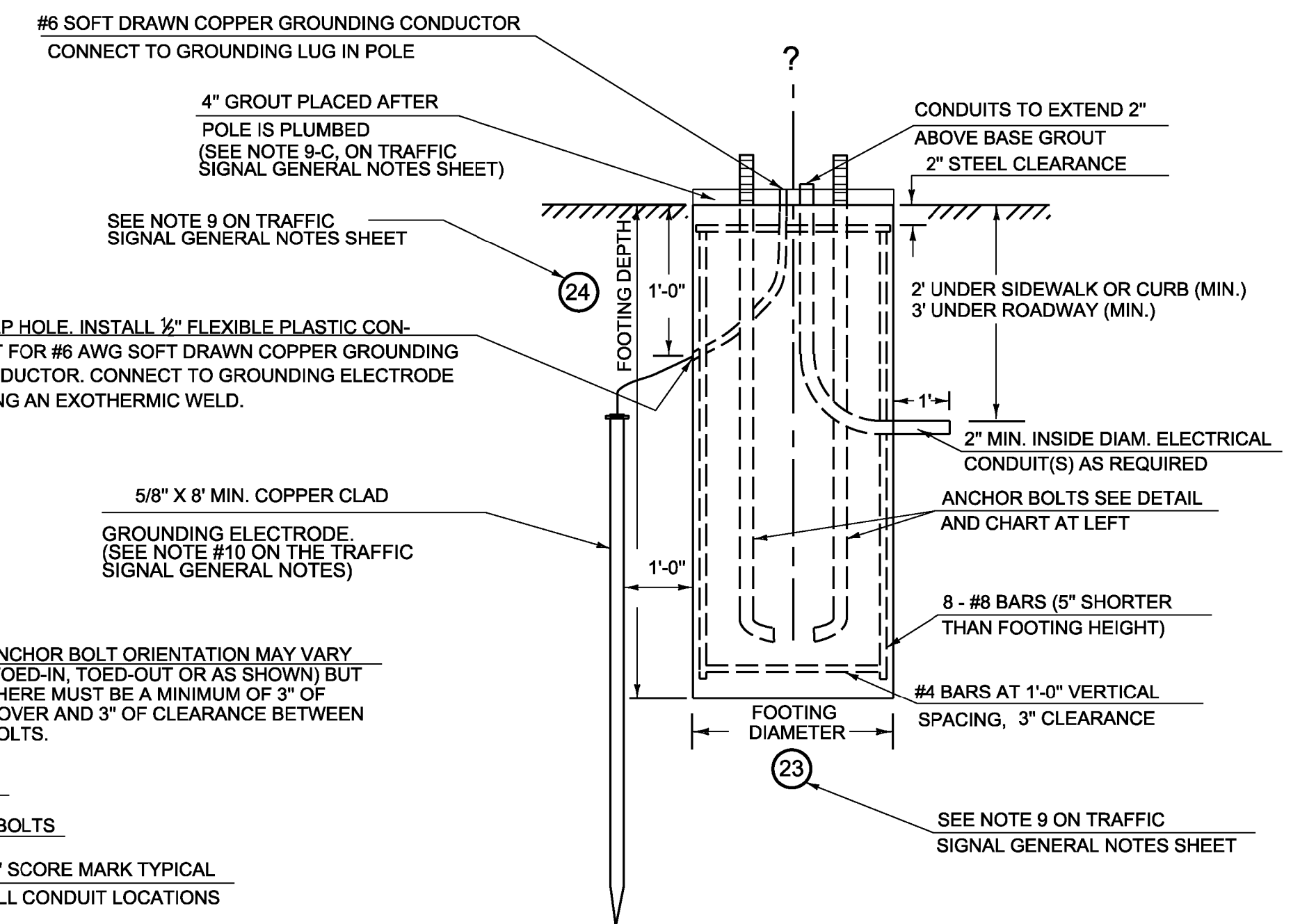
ANCHOR BOLT DETAIL



CANTILEVER FOOTING DETAIL

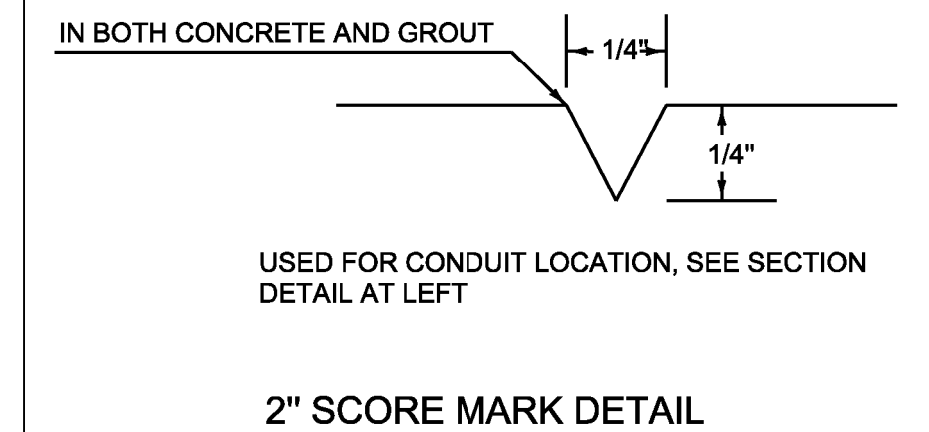
(DRILLED SHAFT)

SECTION

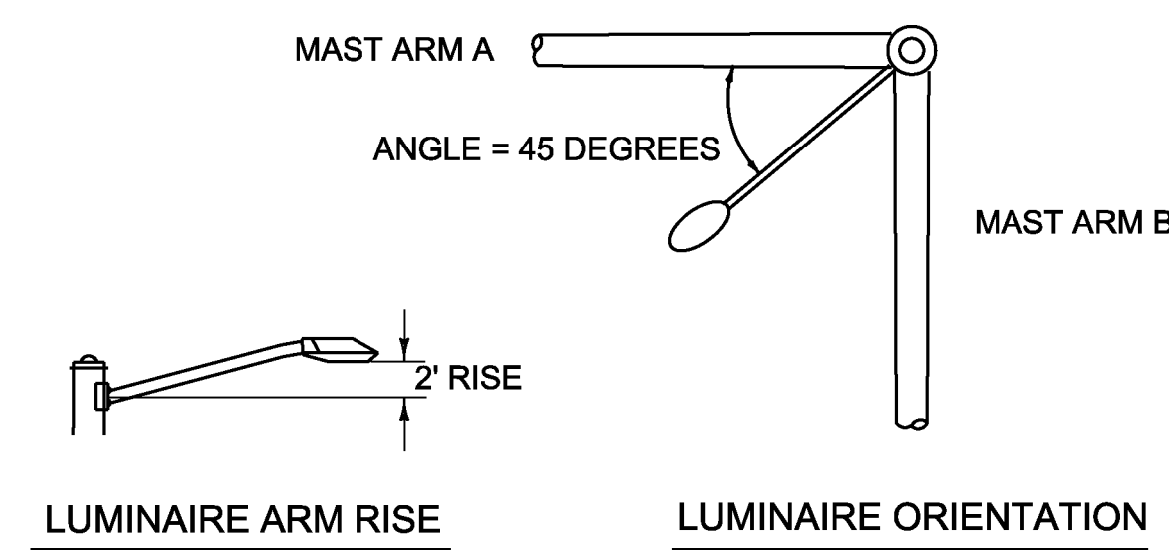


ELEVATION

N.T.S. (TYP.)

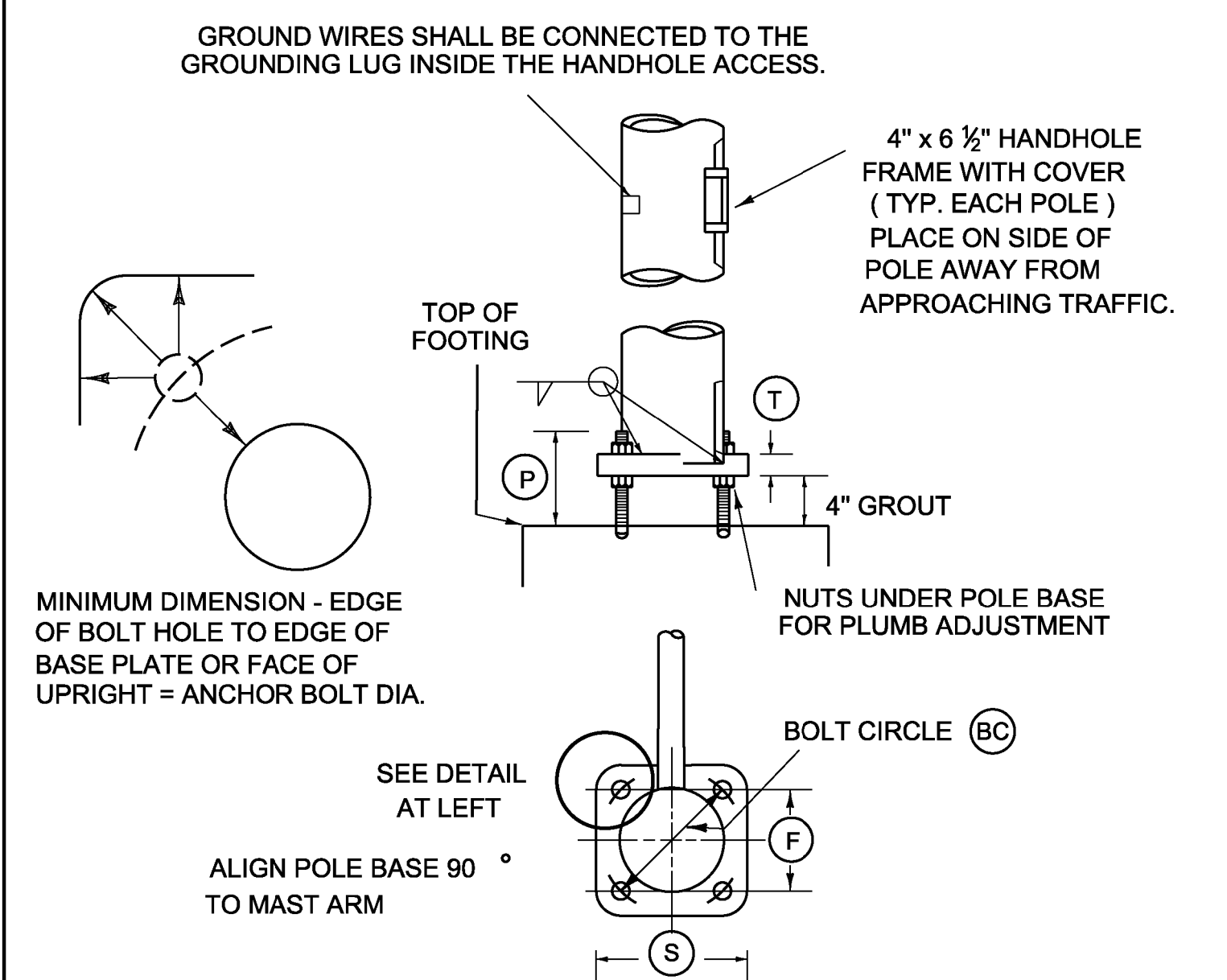


2" SCORE MARK DETAIL



LUMINAIRE ARM RISE

LUMINAIRE ORIENTATION



POLE BASE AND BASE PLATE DETAIL

POLE	POLE DATA							ARM DATA														FOOTING DATA		BASE PLATE / BOLT DATA						
	(1)	(2)	(3)	(4)	(5)	(6)	(7)	(8)	(9)	(10)	(11)	(12)	(13)	(14)	(15)	(16)	(17)	(18)	(19)	(20)	(21)	(22)	(23)	(24)	(BC)	(F)	(S)	(T)	(P)	ANCHOR BOLT SIZE
MAP1	30	20.5	1.083'	0.09925'	.14'			42	17'8"														16	9'6"x9'6"	2'6"					
MAP2	30	20.5	1.083'	0.09925'	.14'			31	17'4"						34	18'							12	13'x8'	3'6"					

NOTE:
DETAILS
NTS

DOUBLE MAST ARM CANTILEVER FOOTING DETAIL SHEET

PROJECT NAME: WATERBURY
PROJECT NUMBER: NHG SGNL(43)

FILE NAME: t13b018tr.af.dgn
PROJECT LEADER: P. COBURN
DESIGNED BY: I. DEGUTIS
MAST ARM CANTILEVER FOOTING DETAILS

PLOT DATE: 12/31/2013
DRAWN BY: I. DEGUTIS
CHECKED BY: M. LaCROIX
SHEET 12 OF 17