

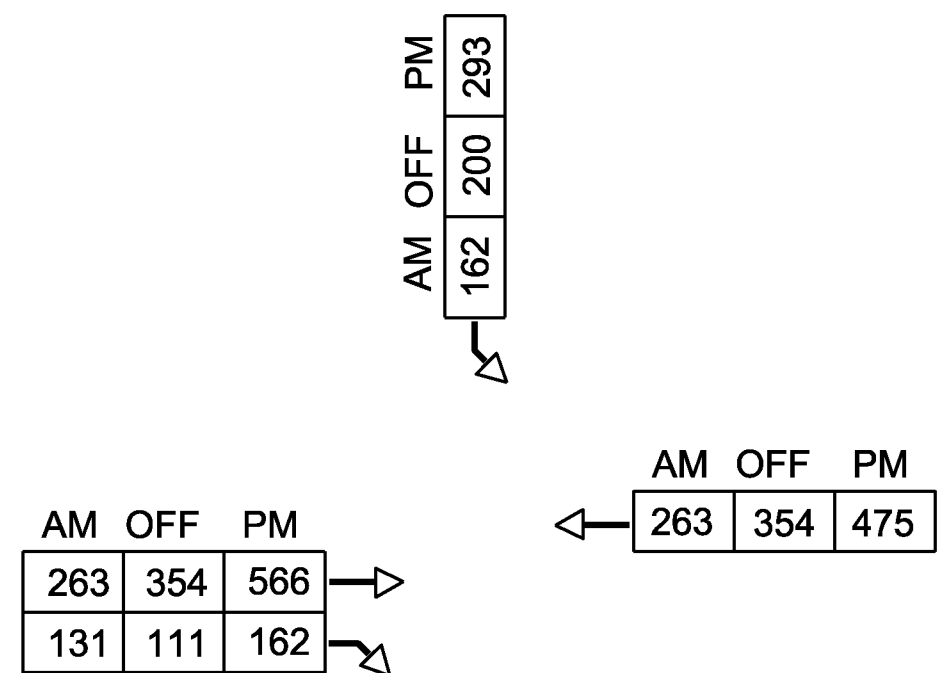
LIST OF MAJOR EQUIPMENT

| EQUIPMENT ITEM 678.15 (MS-636: VT 100 & I-89 EXIT 10 SB OFF-RAMP) | QUANTITY |
|---|----------|
| ECONOLITE ASC/3-2100 TRAFFIC SIGNAL CONTROLLER (NEMA TS2) AND POWER SUPPLY | 1 |
| DIRECTIONAL WIRELESS INTERCONNECT ANTENNA | 1 |
| WIRELESS INTERCONNECT PROCESSOR CARD | 1 |

NOTES:

1. ALL MAST ARMS, SIGNAL HEADS, VIDEO DETECTION CAMERAS AND OTHER POLE-MOUNTED EQUIPMENT TO REMAIN IN PLACE AND SHALL BE MADE TO FUNCTION PROPERLY WITH THE NEW CONTROLLER.
2. VIDEO PROCESSOR CARDS AND ALL OTHER NECESSARY EQUIPMENT TO REMAIN IN THE CABINET AND SHALL BE MADE TO FUNCTION WITH THE NEW CONTROLLER.
3. ALL CONNECTORS, WIRING, AND OTHER INCIDENTAL MATERIALS AND LABOR REQUIRED TO MAKE THE CONTROLLER FUNCTION WITH THE EXISTING CABINET AND SIGNAL EQUIPMENT SHALL BE INCIDENTAL TO ITEM 678.15 (MS-636: VT 100 & I-89 EXIT 10 SB OFF-RAMP)
4. CONTROLLER AND ALL OTHER SALVAGEABLE EQUIPMENT NOT TO BE REUSED TO REMAIN THE PROPERTY OF THE STATE. SEE SPECIAL PROVISIONS FOR ADDITIONAL INFORMATION AND REQUIREMENTS. CONTACT STEVE GUYETTE, OF VTRANS DISTRICT 5: 802-655-1580
5. SEE CORRIDOR COORDINATION SHEET FOR CONTROLLER TIMING DATA.

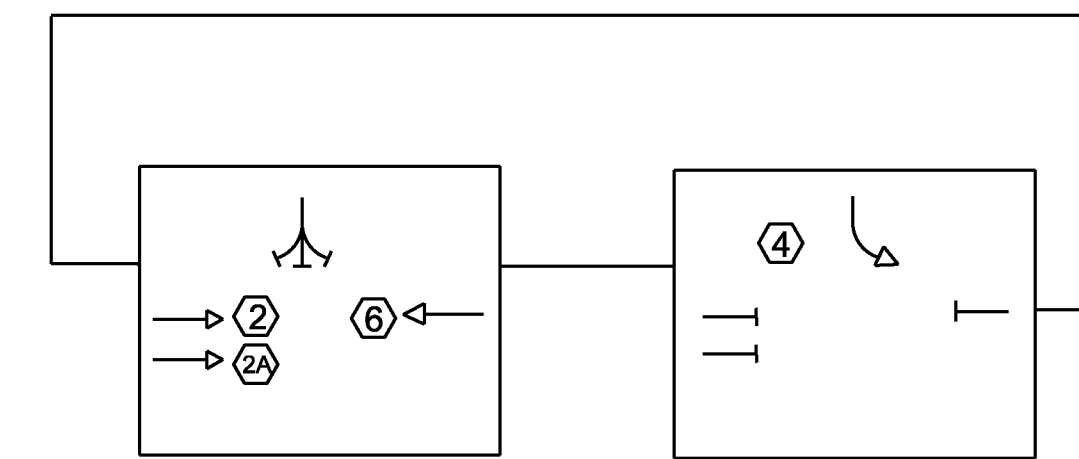
**REMOVAL OF EXISTING PAVEMENT MARKINGS
RAMP "G" - (STOP)**



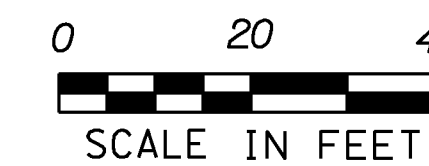
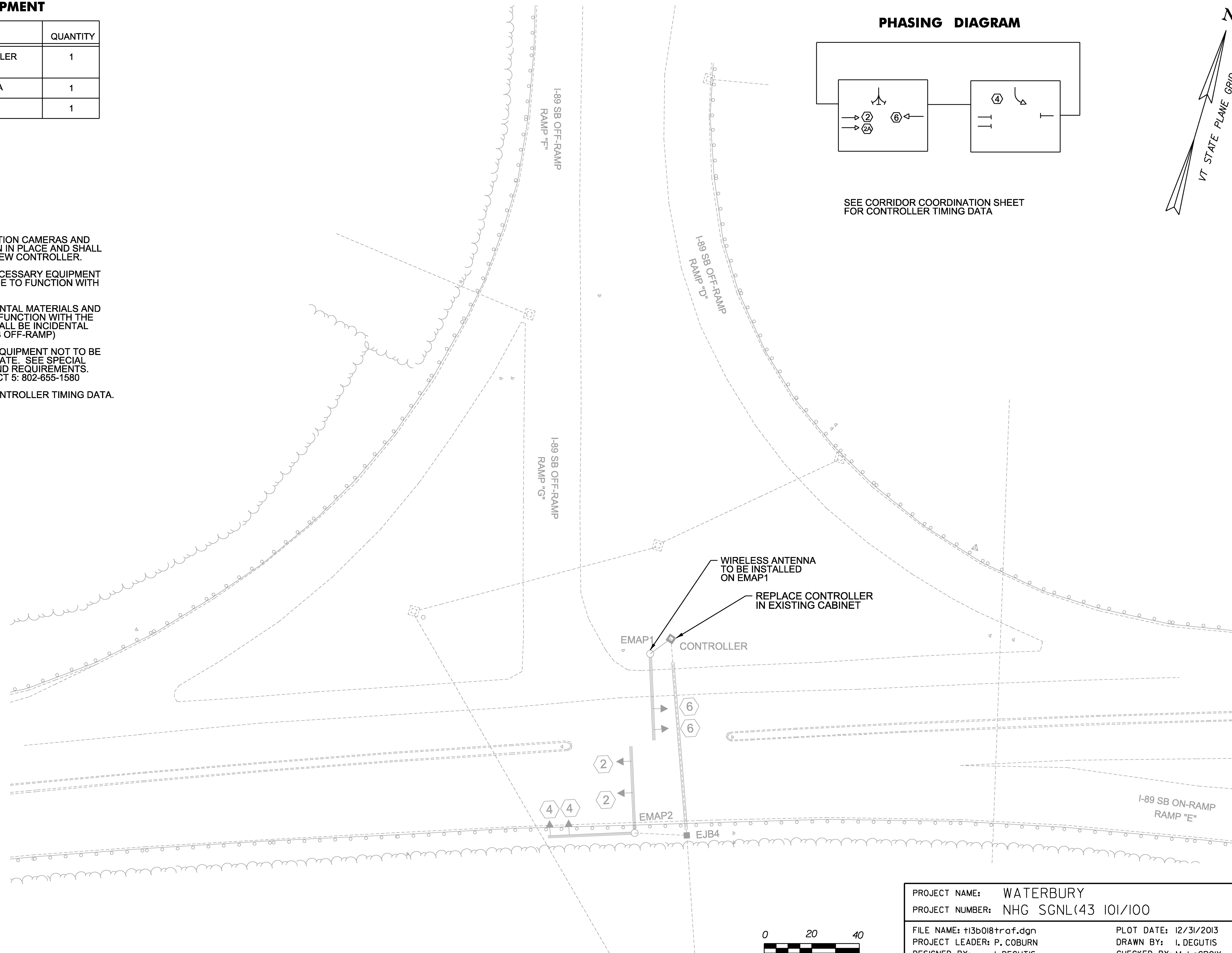
VT ROUTE 100 &
I-89 SB EXIT 10 OFF RAMP
2014 DESIGN HOURLY VOLUMES

| EXISTING | NEW | LEGEND |
|----------|-----|-----------------------------|
| | | UTILITY POLE |
| | | LUMINAIRE |
| | | LIGHT OR WOOD POLE |
| | | STRAIN POLE |
| | | CONTROLLER CABINET |
| | | PULLBOX/JUNCTION BOX |
| | | SIGNAL HEAD |
| | | CONDUIT |
| | | VIDEO DETECTION CAMERA |
| | | VIDEO DETECTION ZONE |
| | | STANCHION |
| | | PREEMPTION STROBE |
| | | OPTICAL PREEMPTION DETECTOR |

PHASING DIAGRAM



SEE CORRIDOR COORDINATION SHEET
FOR CONTROLLER TIMING DATA



PROJECT NAME: WATERBURY
PROJECT NUMBER: NHG SGNL(43 101/100)

FILE NAME: t13b018trcf.dgn
PROJECT LEADER: P. COBURN
DESIGNED BY: I. DEGUTIS
TRAFFIC SIGNAL LAYOUT SHEET SB RAMP

PLOT DATE: 12/31/2013
DRAWN BY: I. DEGUTIS
CHECKED BY: M. LACROIX
SHEET 8 OF 17