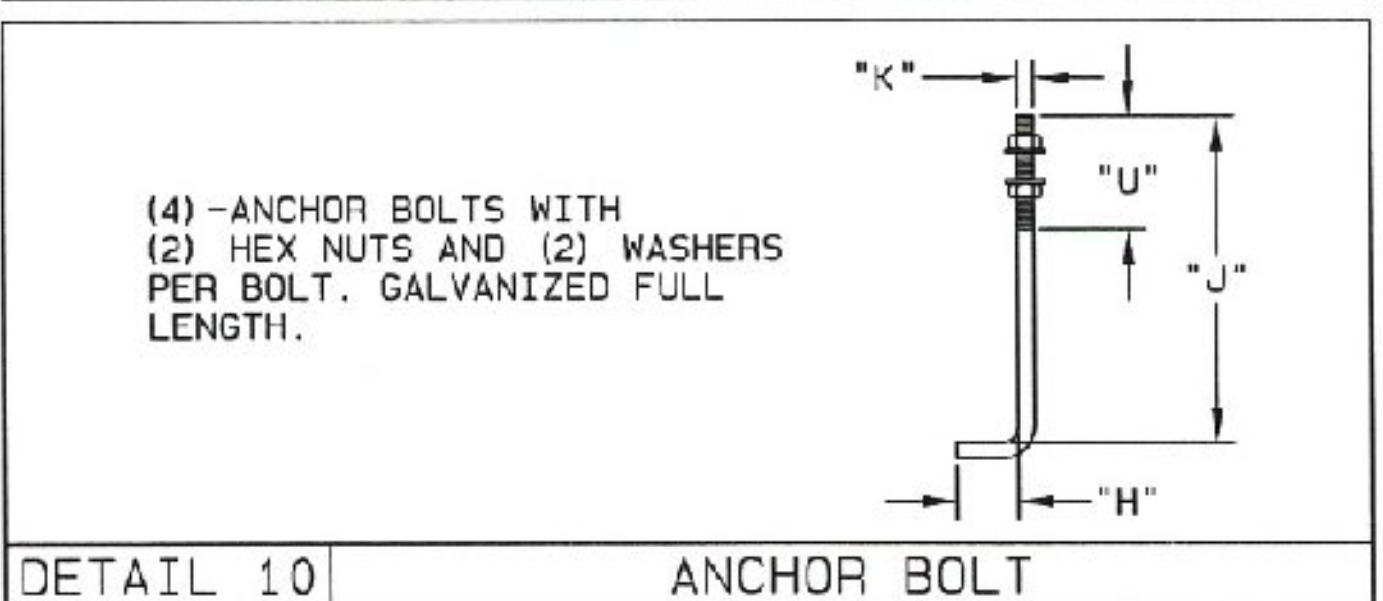
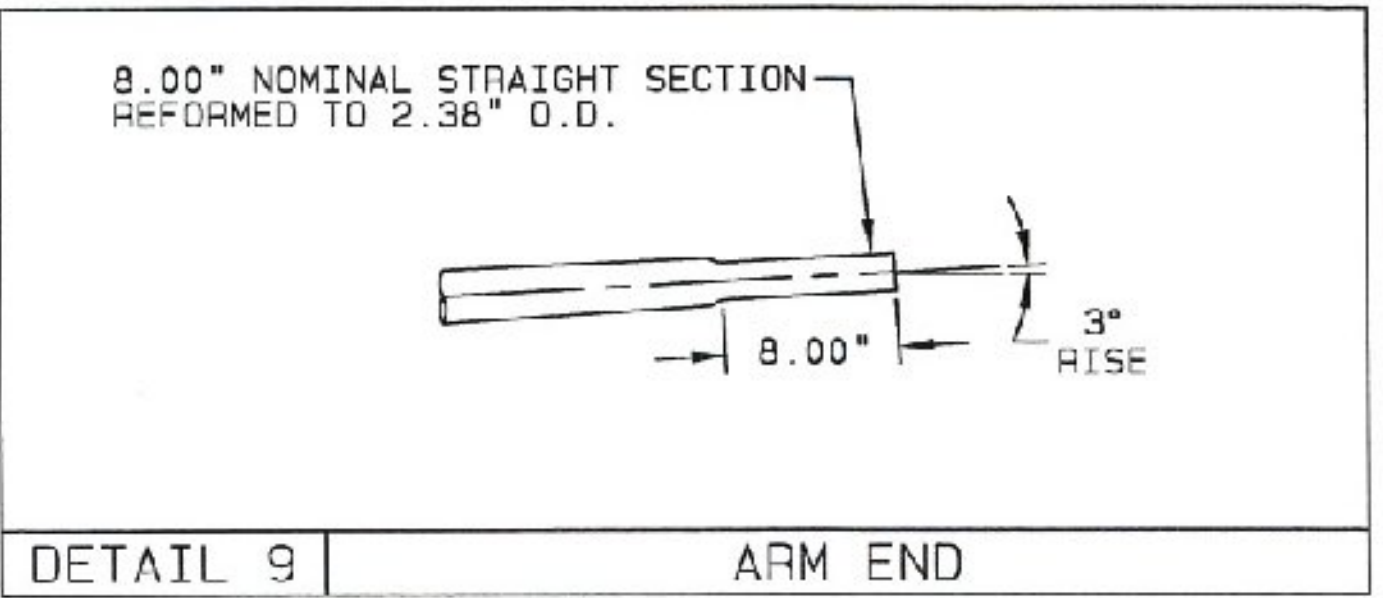
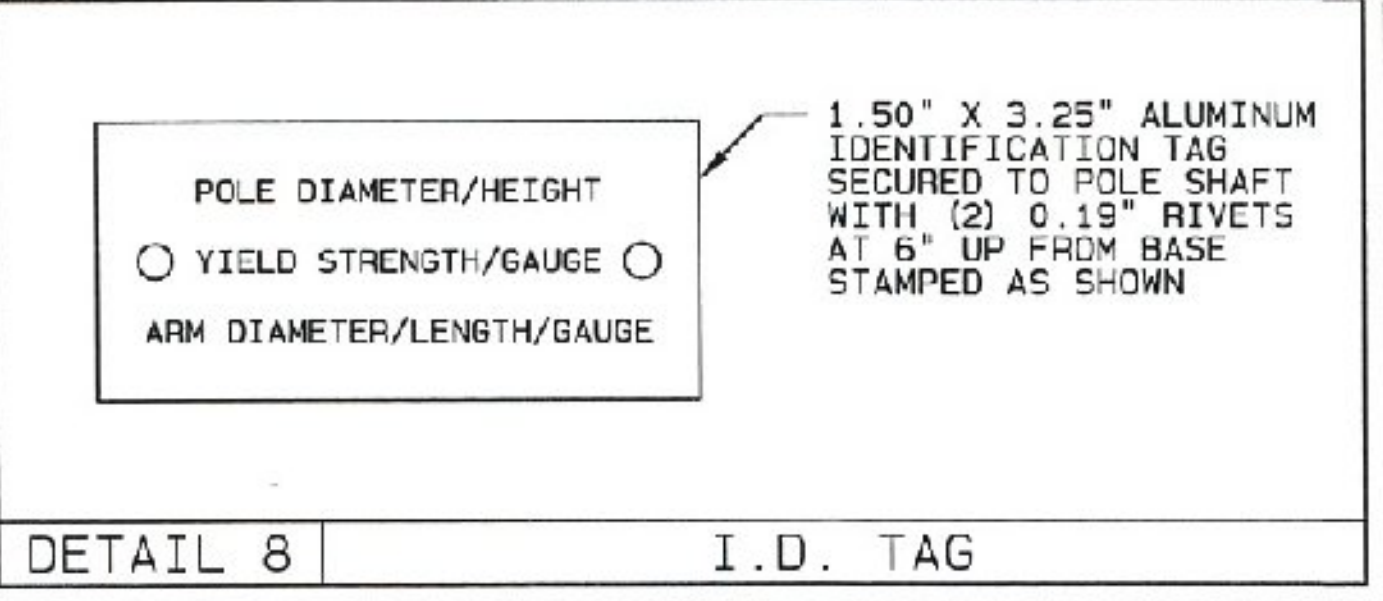
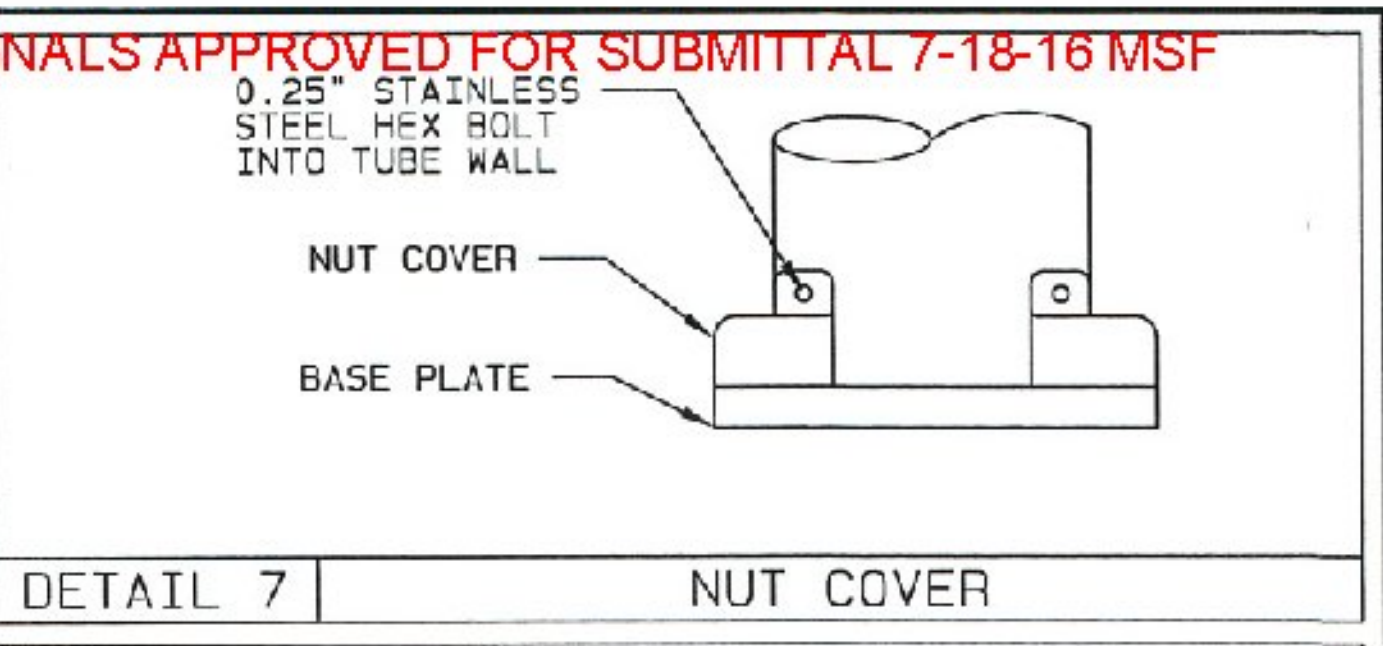
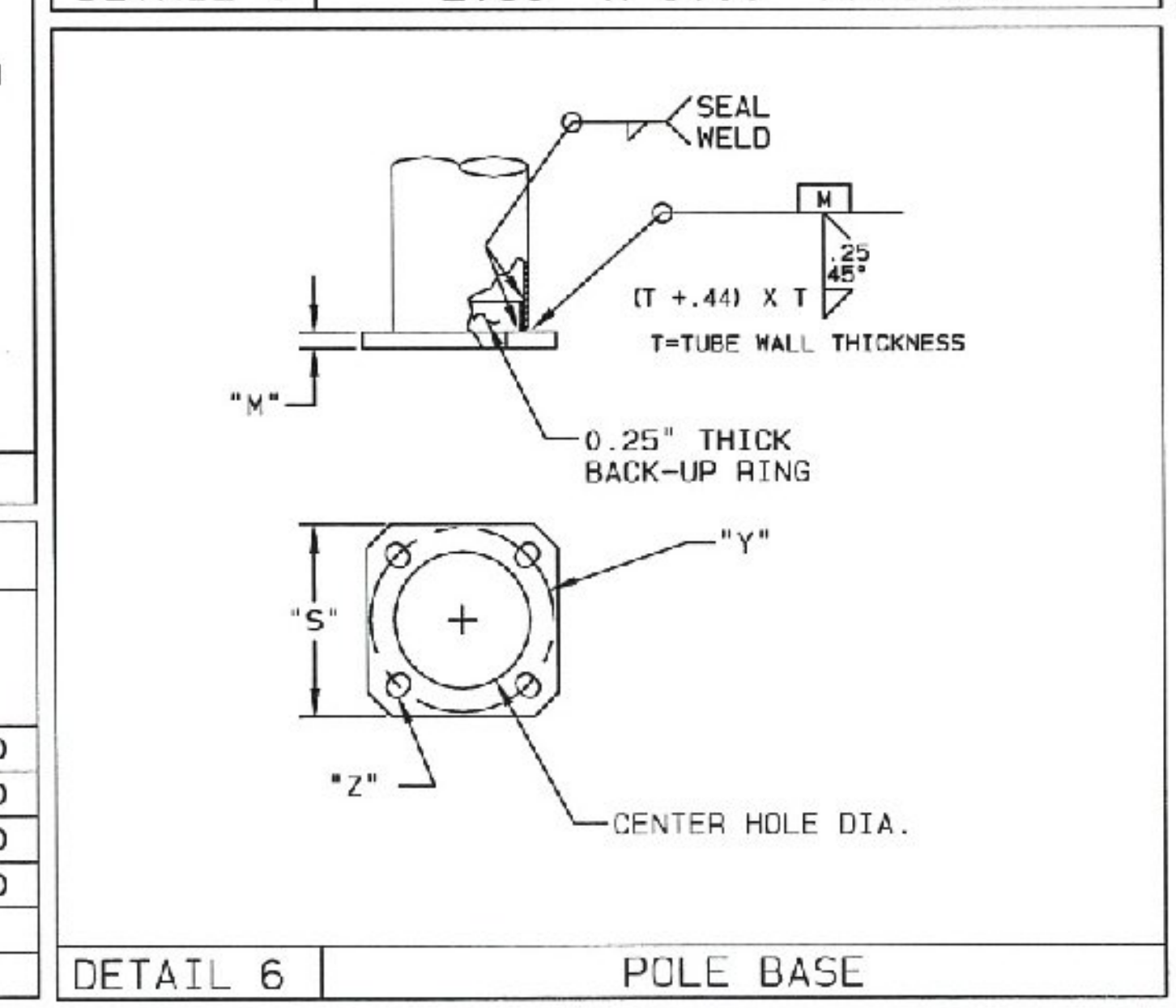
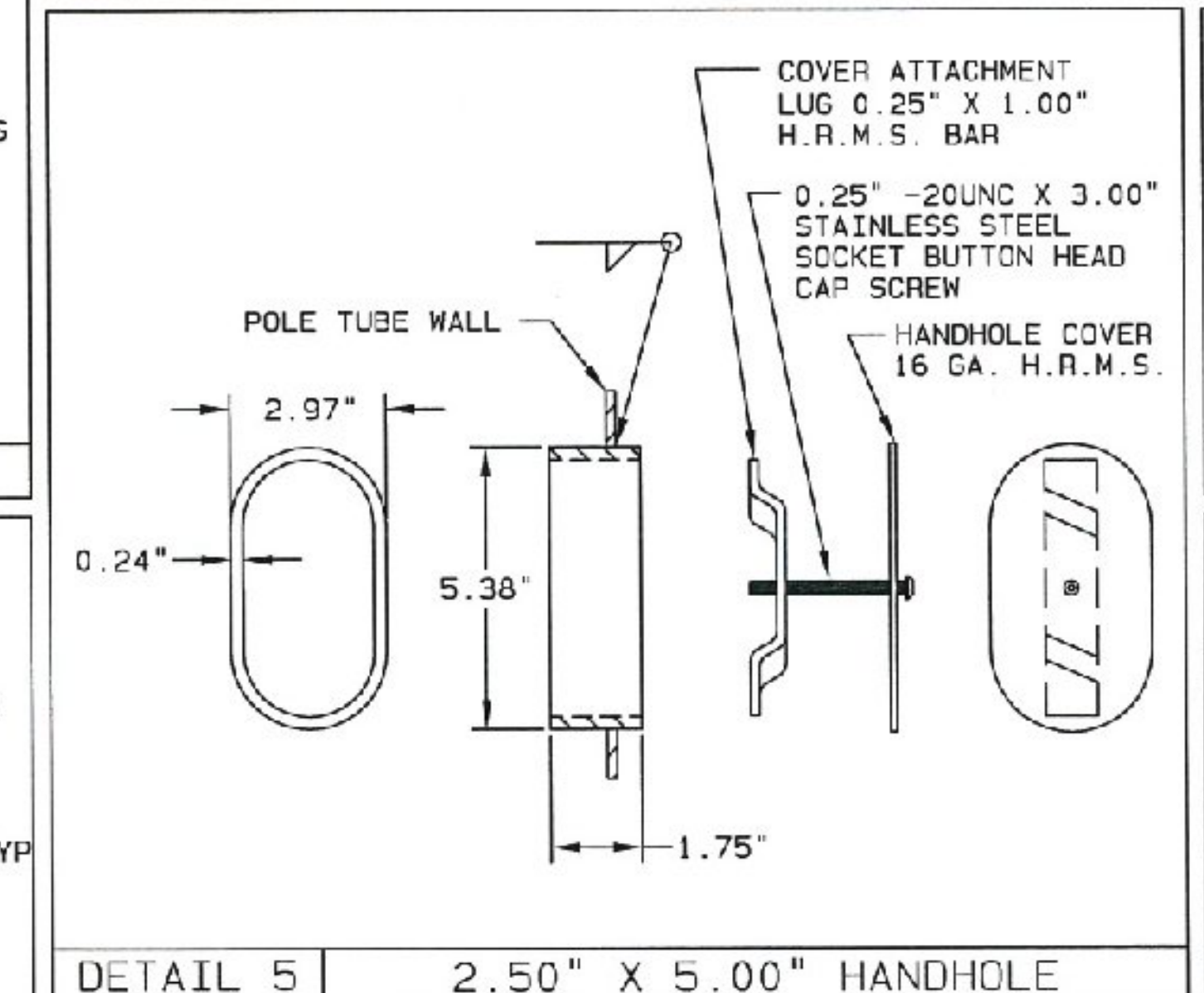


ITEM NUMBER	A	B	C	D
#1	7.31"	5.63"	0.430"	3.000"
#2	7.56"	5.50"	0.500"	3.000"

DETAIL 4 HANDHOLE



MATERIAL DATA

COMPONENT	ASTM DESIGNATION	MIN. YIELD (KSI)	COMPONENT	ASTM DESIGNATION	MIN. YIELD (KSI)
TAPERED TUBES	A595 GR. A OR A572	55	ANCHOR BOLTS	F1554 GR.55	55
POLE BASE	A36	36	GALVANIZING- STRUCTURE	A123	
LUMINAIRE ARM PIPE	A36	36	GALVANIZING- HARDWARE	A153	
SIGNAL ARM CONNECTION	A36	36			
SIGNAL ARM CONN. BOLTS	A325				

LUMINAIRE ARM DATA

ARM SPAN "L" (FT)	FIXED END DIA. (IN)	FREE END DIA. (IN)	GA.	RISE HEIGHT "R" (FT)
12.00	4.15	2.40	11	2.50

SYSTEM: FINISH PAINT/GALVANIZED (FPGV)  
 BASE COAT: HOT-DIP GALVANIZED TO ASTM A123  
 PRIME COAT: NONE  
 FINISH COAT: TGIC OR URETHANE POLYESTER POWDER  
 COLOR: BLACK  
 SPEC: F-283A

SIGNAL ARM ATTACHMENT DATA

ITEM # / ARM LENGTH	"A" (IN)	"B" (IN)	"C" (IN)	CENTER HOLE DIA. (IN)	"D" (IN)	"E" (IN X IN)
#1 / 30'	17.75	14.50	2.00	8.50	0.375	1.25 X 6.00
#1 / 20'	17.75	14.50	2.00	7.00	0.375	1.25 X 6.00
#2 / 40'	17.75	14.50	2.00	9.75	0.375	1.25 X 6.00
#2 / 20'	17.75	14.50	2.00	7.00	0.375	1.25 X 6.00

REV	DATE	BY	DESCRIPTION
A	JTF 07/13/16	JTF 07/13/16	WAS TRUSS STYLE LUM. ARM
	JTF 06/20/16	JTF 06/20/16	

SOLD TO: HIGHWAY TECH  
 SHIP TO: EAST COAST SIGNALS, INC.  
 P.O. #: 10856  
 AGENT: HIGHWAY TECH

JOB: VT - NHC SNL (42) - INTERSECTION OF RT 7 & LITTLE CHICAGO/MIDDLEBROOK RD  
 TITLE: TRAFFIC SIGNAL STRUCTURES

VALMONT INDUSTRIES, INC. RESERVES THE RIGHT TO INSTALL VARIOUS, ENGINEER APPROVED, MATERIAL HANGING ACCOMMODATIONS TO FACILITATE THE MANUFACTURING PROCESS.



ORDER NUMBER: 326921-P1  
 PAGE NUMBER: 1 OF 2  
 DRAWING NUMBER: VT326921P1  
 REV: A

