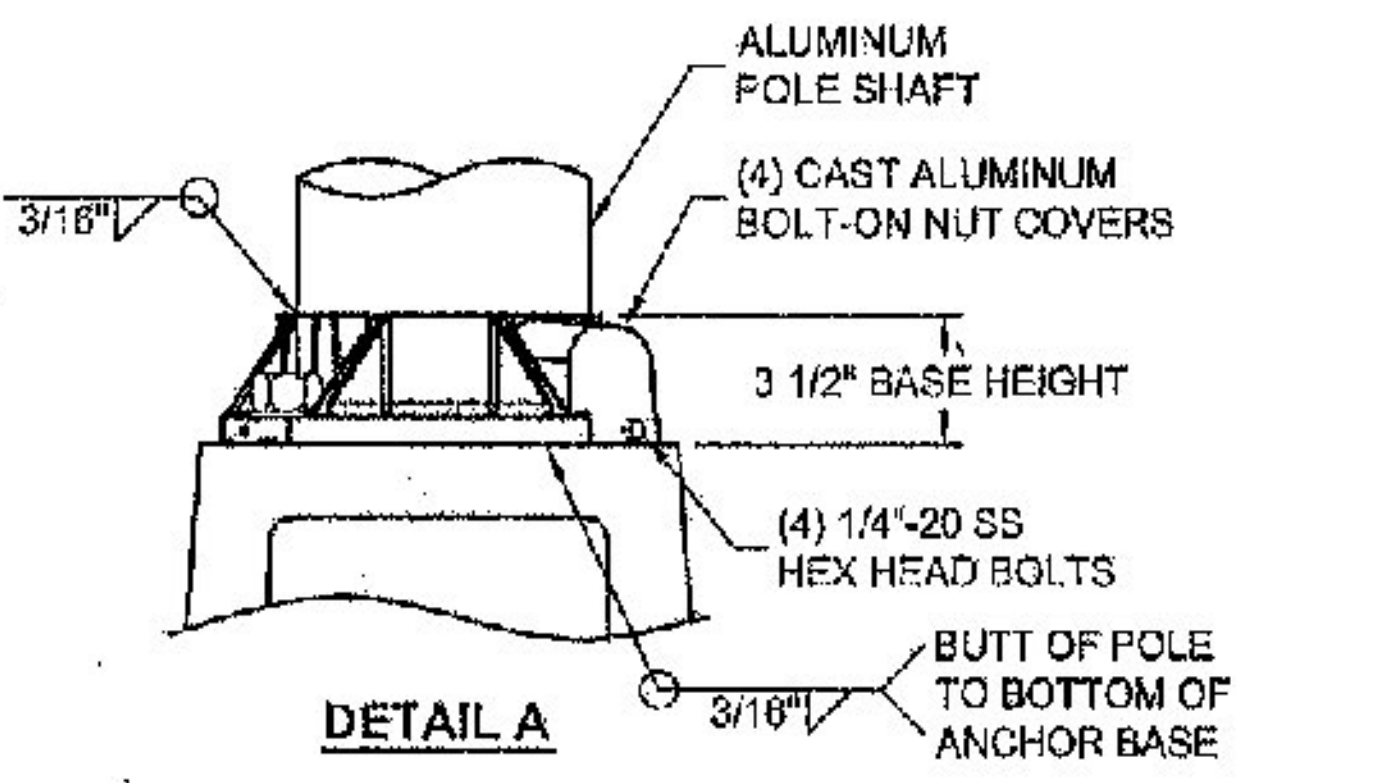



NOTE:
ALL WELDS CONFORM TO
AWS D1.2 USING 4043 FILLER ALLOY.




POLE RATING (PER AASHTO 2013):
3-SEC GUST WIND SPEED 100 MPH MAX
EPA (LUMINAIRE): .62 SQ. FT. MAX
WEIGHT (LUMINAIRE): 28 LBS MAX

DO NOT SCALE



Valmont Industries, Inc. Structures Division
20805 Eaton Ave Farmington, Minnesota 55024-7932
Phone: (851) 463-8950 (800) 893-7577
Fax: (851) 463-3349

TITLE: S TRANSFORMER BASE POLE		QTY: 2
MODEL NO.: 250345805T4		DWY BY: PVB
MATERIAL: ALUMINUM ALLOY		CHK'D BY:
FINISH: POWDER PAINT BLACK DRL		APPR BY:
PROJECT: FERRISBURGH, VT N-G SGNL (42)		DATE: 06-14-16
SOLD TO: HIGHWAY TECH		DWG NO: A400607
SHIP TO:		PAGE: 1/3
P.O. NO: 10659		
REP: HIGHWAY TECH		



****CONFIDENTIAL****

The information contained in this drawing is privileged and confidential, and may be protected from disclosure. Please be aware that any use or dissemination of this drawing may be subject to legal restriction or sanction.

REV	DATE	REVISION DESCRIPTION	BY