

# STR-LWY-4M-HT-IP-02-06

LEDway® IP66 Street Light - Type IV Medium - Horizontal Tenon Mount - 20-60 LEDs

**APPROVED**  
By Ian Degutis at 6:39 am, Aug 05, 2016

**Product Description**

The luminaire is all aluminum construction. Standard luminaire utilizes BetaLED® Technology for power input suitable for #2-#14 AWG wire. Luminaire is designed for mounting on a horizontal tenon or vertical post. Luminaire is ordered with XA-XIL25IP accessory kit and is adjustable 17.5" to allow for luminaire leveling (two axis T-level included). Horizontal tenon must be minimum 8" (203mm) long.

**Performance Summary**

- Utilizes BetaLED® Technology
- Patented NanoOptic® Product Technology
- Made in the U.S.A. of U.S. and imported parts
- CRI:** Minimum 70 CRI
- CCT:** 5700K (+/- 500K) Standard, 4000K (+/- 300K)
- Limited Warranty†:** 10 years on luminaire/10 years on Colorfast DeltaGuard® finish
- EPA and Weight:** Reference EPA and Weight spec sheet

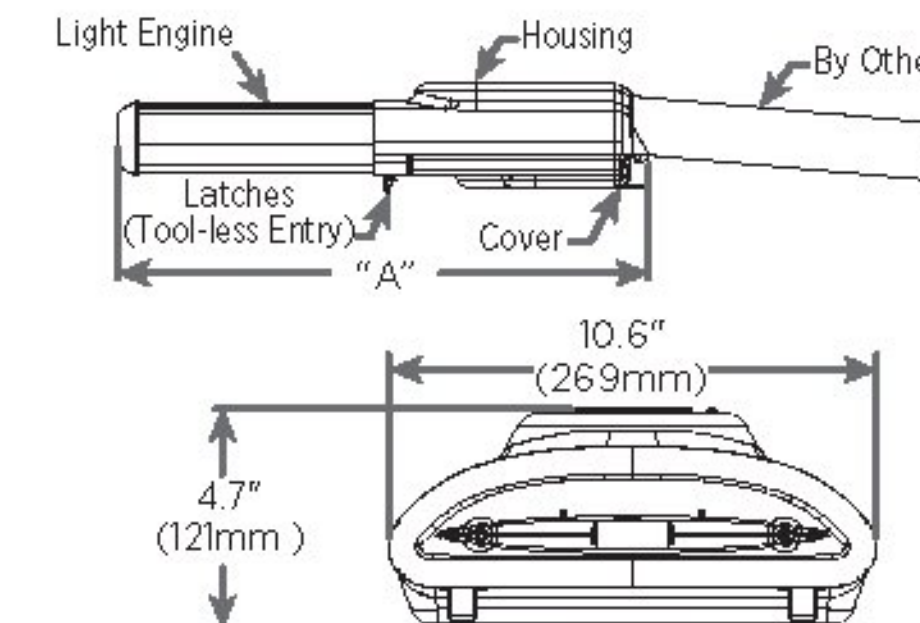
**Accessories**

Field Installed Accessories	
<b>XA-BRDSPK30 (20-30 LEDs)</b>	<b>XA-XSLBLS30 (20-30 LEDs)</b>
<b>XA-BRDSPK60 (40-60 LEDs)</b> Bird Spikes for Light Engine	<b>XA-XSLBLS60 (40-60 LEDs)</b> External Backlight Shield
<b>XA-BRDSPKHSG</b> Bird Spikes for Housing	<b>XA-XIL125IP</b> 1.25" (32mm) IP Pipe Sealing Kit

**Ordering Information**

Example: STR-LWY-4M-HT-02-E-UL-SV-525-IP-OPTIONS

STR-LWY	4M	HT		E				IP -
Product	Optic	Mounting	LED Count (x10)	Version	Voltage	Color Options*	Drive Current	Options
<b>STR-LWY</b>	<b>4M</b> Type IV Medium	<b>HT</b> Horizontal Tenon	<b>02</b> <b>03</b> <b>04</b> <b>05</b> <b>06</b>	<b>E</b>	<b>UL</b> Universal 120-277V <b>UH</b> Universal 347-480V	<b>SV</b> Silver (Standard) <b>BK</b> Black <b>BZ</b> Bronze <b>PB</b> Platinum <b>WH</b> White	<b>525**</b> 525mA <b>700</b> 700mA	<p><b>IP IP66 Classification</b></p> <p><b>40K 4000K Color Temperature</b> - Color temperature per luminaire</p> <p><b>DIM 0-10V Dimming</b> - Control by others - Refer to dimming spec sheet for details - Can't exceed specified drive current</p> <p><b>F Fuse</b> - Not available with all ML options. Refer to ML spec sheet for availability with ML options - When code dictates fusing, use time delay fuse</p> <p><b>HL HI/Low (175/350/525 Dual Circuit Input)</b> - Refer to ML spec sheet for details - Sensor not included</p> <p><b>ML Multi-Level</b> - Refer to ML spec sheet for details</p> <p><b>N No Quick Disconnect Harness or Levelling Bubble</b> - Standard product features unless N option is specified</p> <p><b>PD Power Door</b> - All connections between door and luminaire are shipped unconnected from the factory; door release spring included to open door automatically when the latches are released</p> <p><b>R NEMA Photocell Receptacle</b> - Not available with all ML options. Refer to ML spec sheet for availability with ML options - Photocell by others - Intended for downlight applications at 0° tilt</p> <p><b>SC Door Safety Tether</b> - Stainless steel aircraft cable</p> <p><b>UTL Utility</b> - Includes exterior wattage label that reflects watts for the drive current selected. The ability to exceed selected drive current will be disabled</p>



LED Count (x10)	Dimension	Measurements
02	"A"	17.5" (443mm)
03	"A"	17.5" (443mm)
04	"A"	22.0" (559mm)
05	"A"	22.0" (559mm)
06	"A"	22.0" (559mm)

\* See www.cree.com/lighting/products/warranty for warranty terms.

\* Light engine portion of extrusion is not painted and will remain natural aluminum regardless of color selection. \*\* Available on luminaires with 30-60 LEDs.



Rev. Date 03/21/2013



www.cree.com/lighting

T (800) 236-6800 F (262) 504-5415