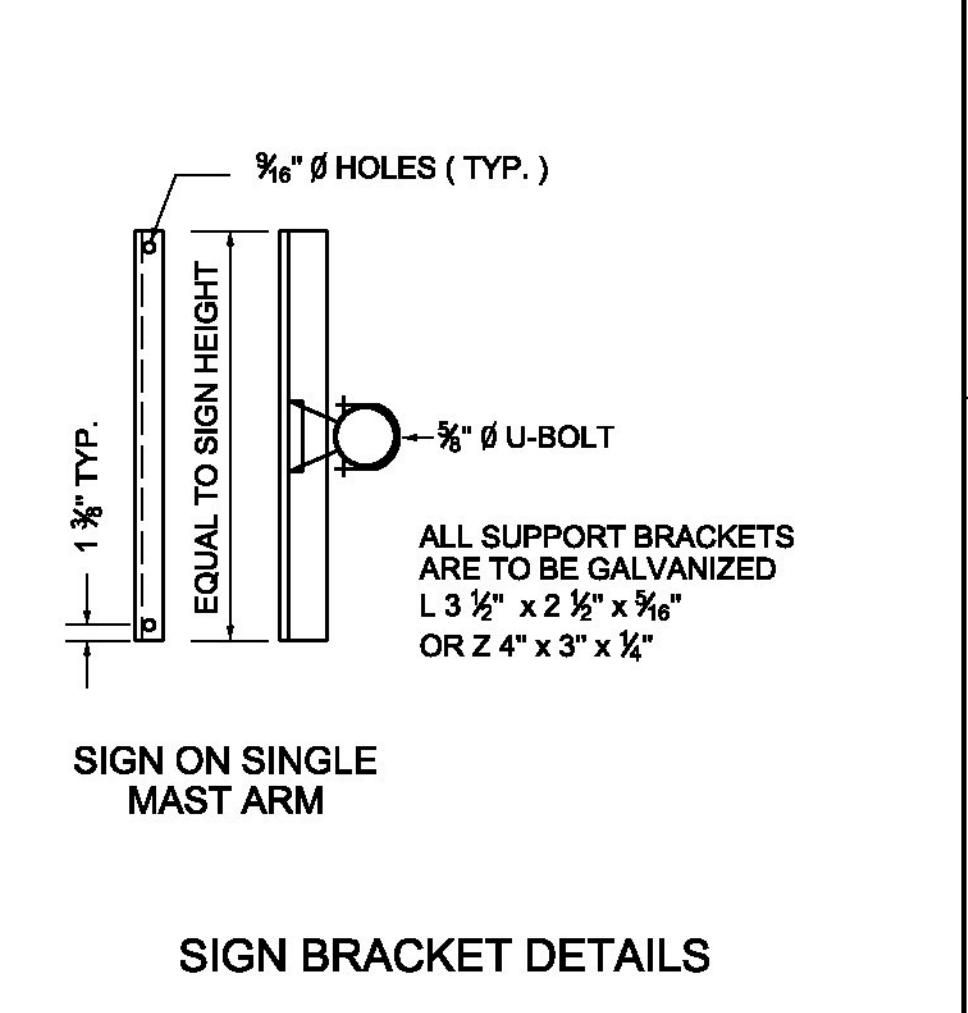
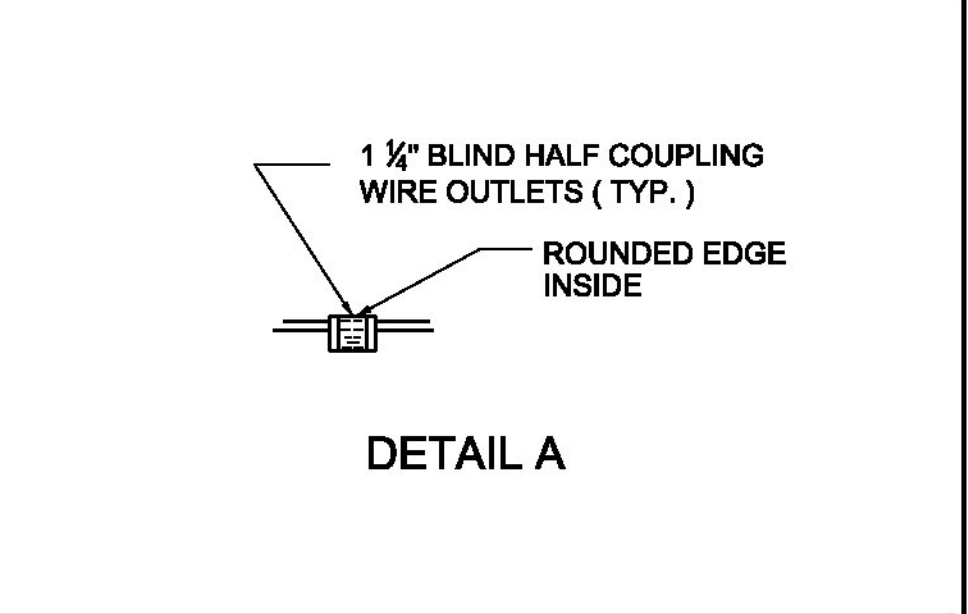


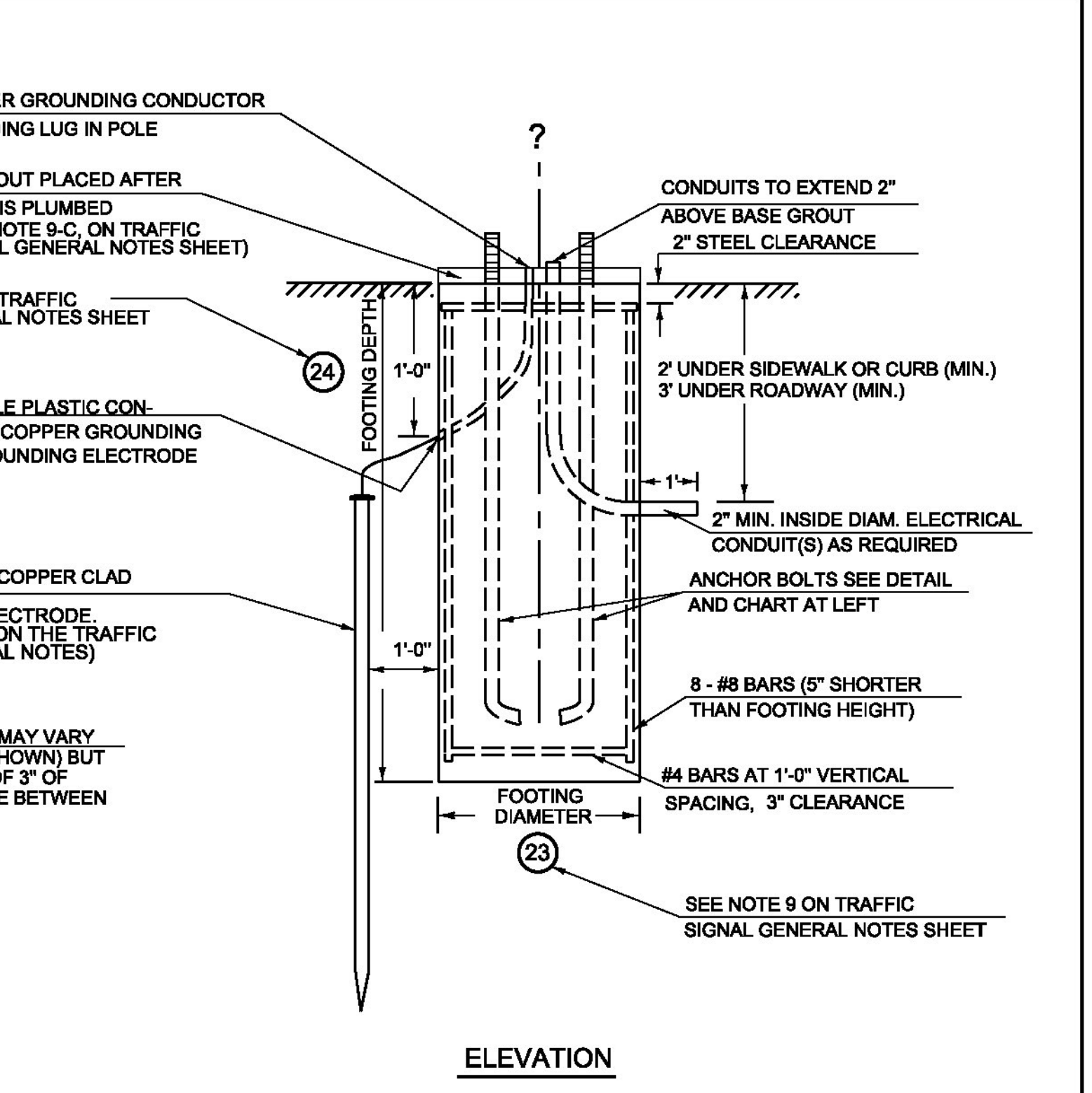
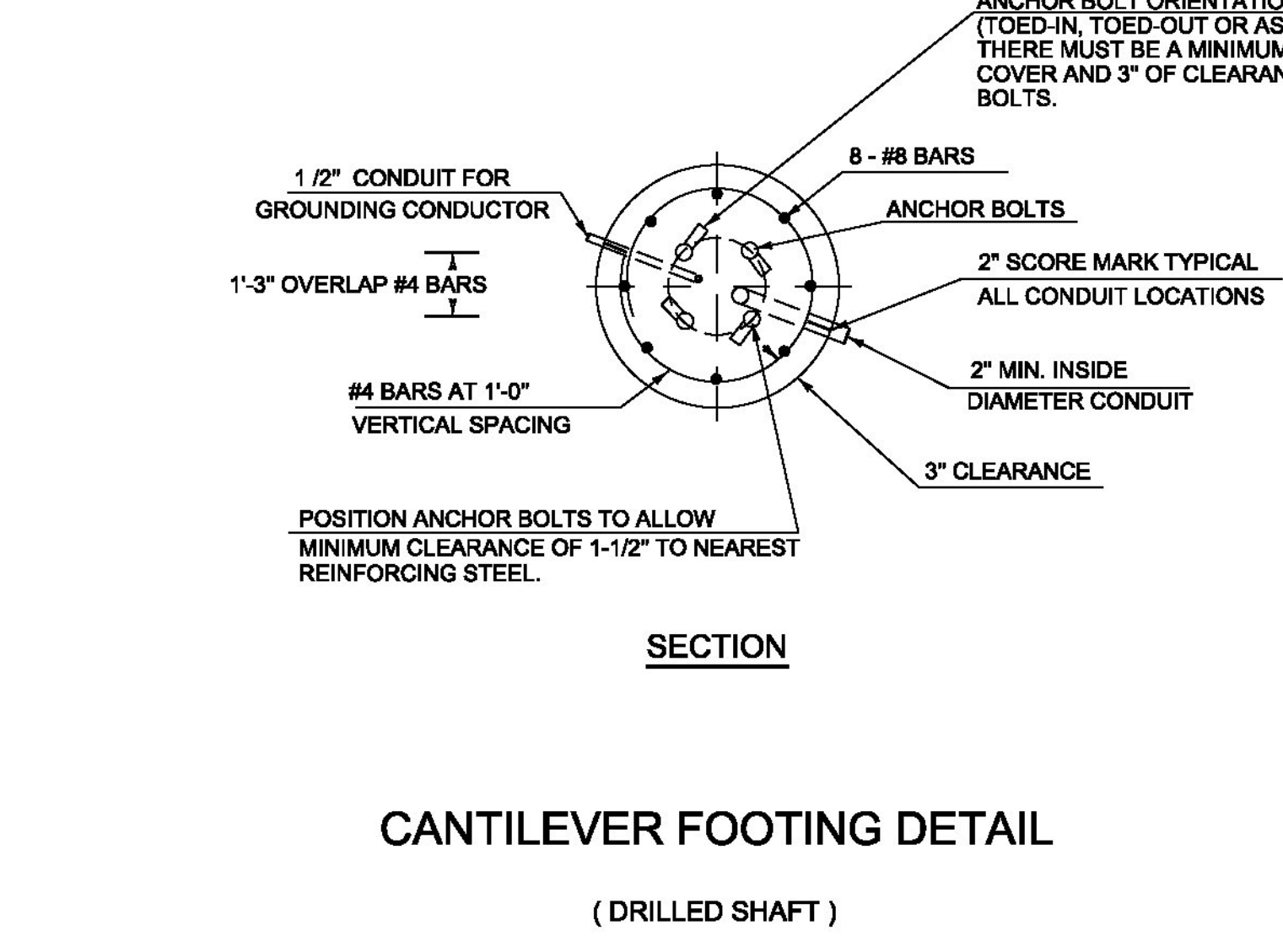
MAP1 & MAP2

- ③ POLE BASE DIAMETER
- ④ POLE GAUGE
- ⑤ POLE TAPER RATE

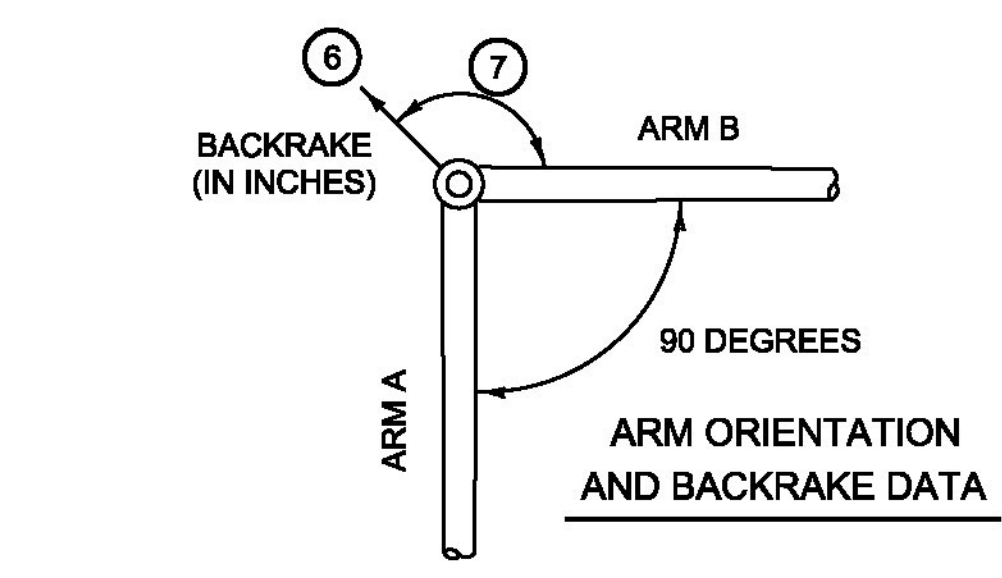
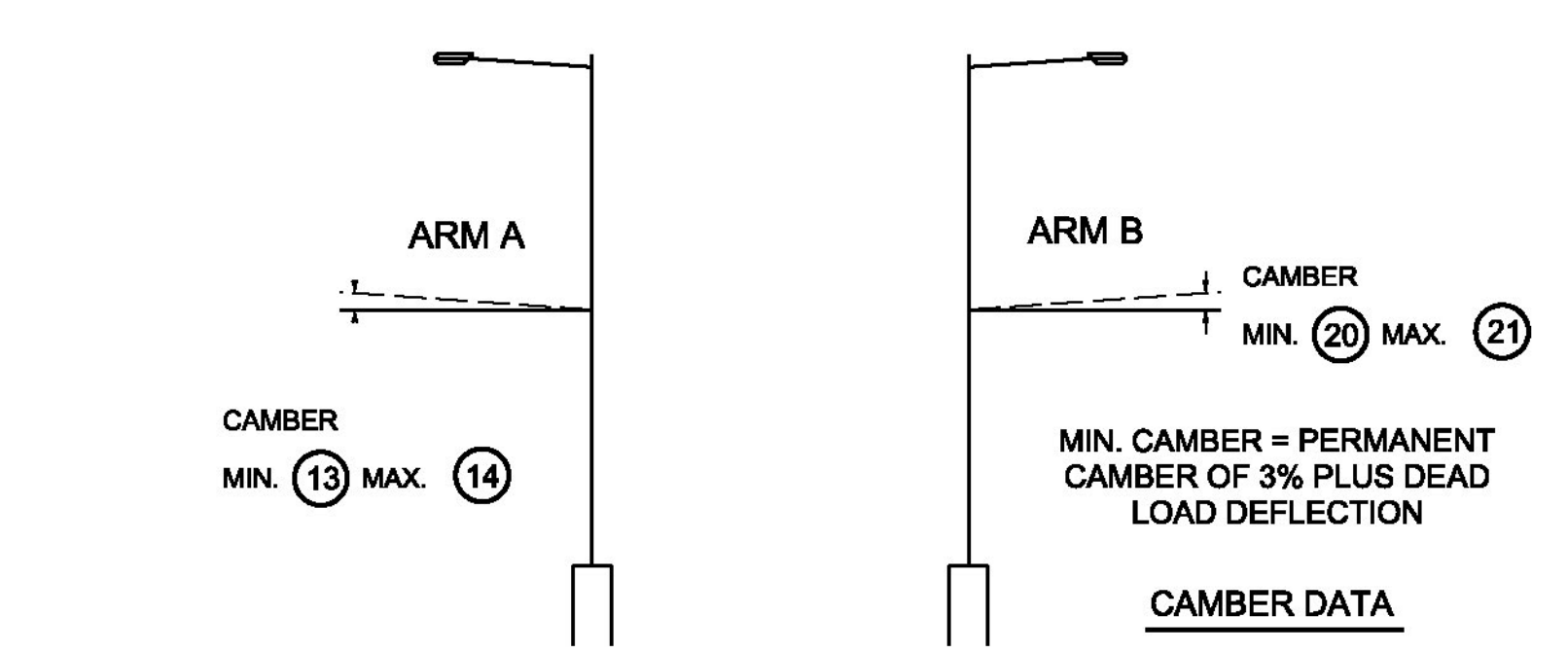
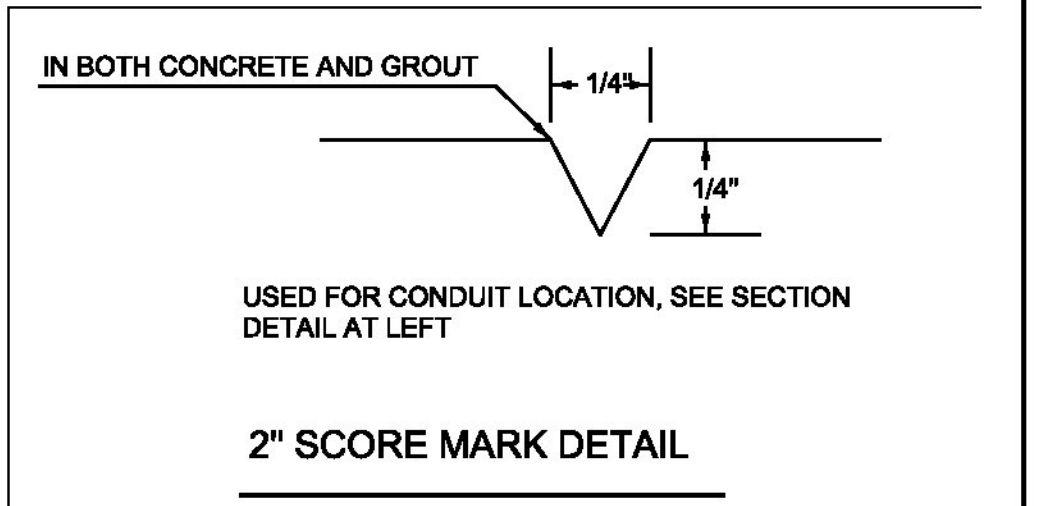
- ⑩ ARM B DIAMETER
- ⑪ ARM B GAUGE
- ⑫ ARM B TAPER RATE
- ⑬ ARM A DIAMETER
- ⑭ ARM A GAUGE
- ⑮ ARM A TAPER RATE



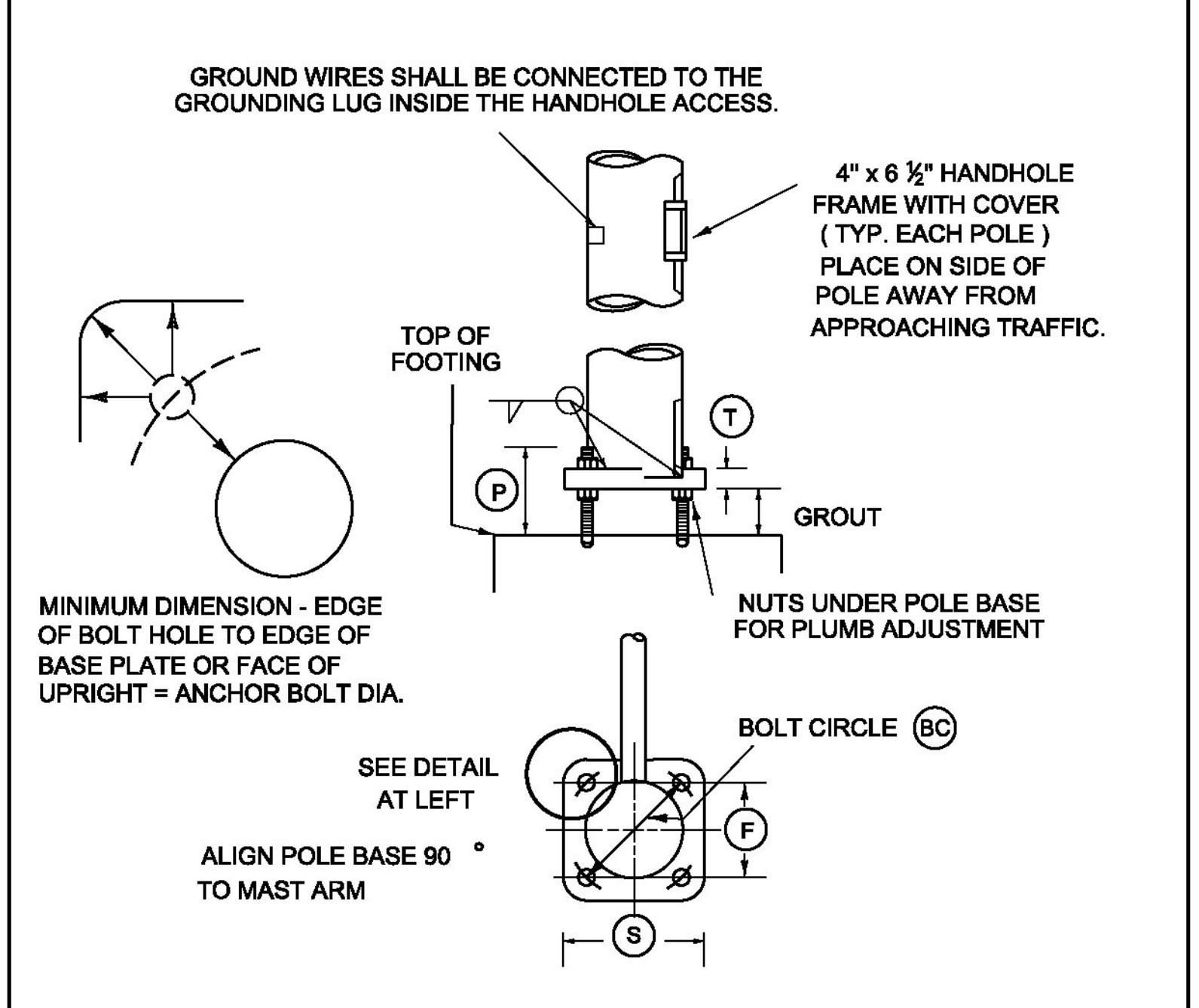
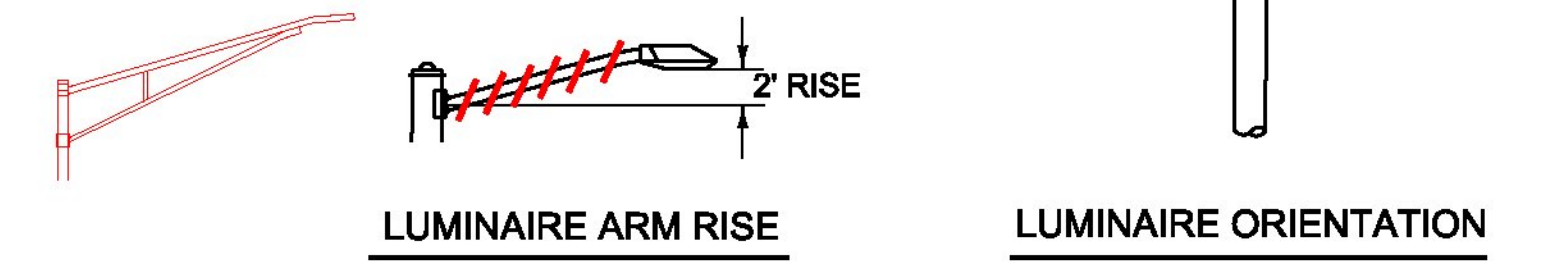
ANCHOR BOLT DETAIL		
SIZE	L (IN)	T (IN)
1 - 1/4" X 48"	42	8
1 - 1/2" X 60"	54	9
1 - 3/4" X 90"	84	9
2" X 96"	96	9



N.T.S. (TYP.)



REFER TO SUBMITTAL DATED JUNE 16, 2016 FOR ARM DIMENSIONS



POLE BASE AND BASE PLATE DETAIL

PROJECT NAME: FERRISBURGH
 PROJECT NUMBER: NHG SGNL(42)
 FILE NAME: +13b016frm.dgn
 PROJECT LEADER: I. DEGUTIS
 DESIGNED BY: I. DEGUTIS
 MAST ARM POLE DETAILS
 PLOT DATE: 3/2/2016
 DRAWN BY: I. DEGUTIS
 CHECKED BY: P. COBURN
 SHEET 21 OF 22

POLE	POLE DATA							ARM DATA														FOOTING DATA		BASE PLATE / BOLT DATA						ANCHOR BOLT SIZE
	①	②	③	④	⑤	⑥	⑦	⑧	⑨	⑩	⑪	⑫	⑬	⑭	⑮	⑯	⑰	⑱	⑲	⑳	㉑	㉒	BC	F	S	T	P			
MAP1	20	20						30																						
MAP2	29	19						40																						

NOTE: DETAILS NTS

DOUBLE MAST ARM CANTILEVER FOOTING DETAIL SHEET