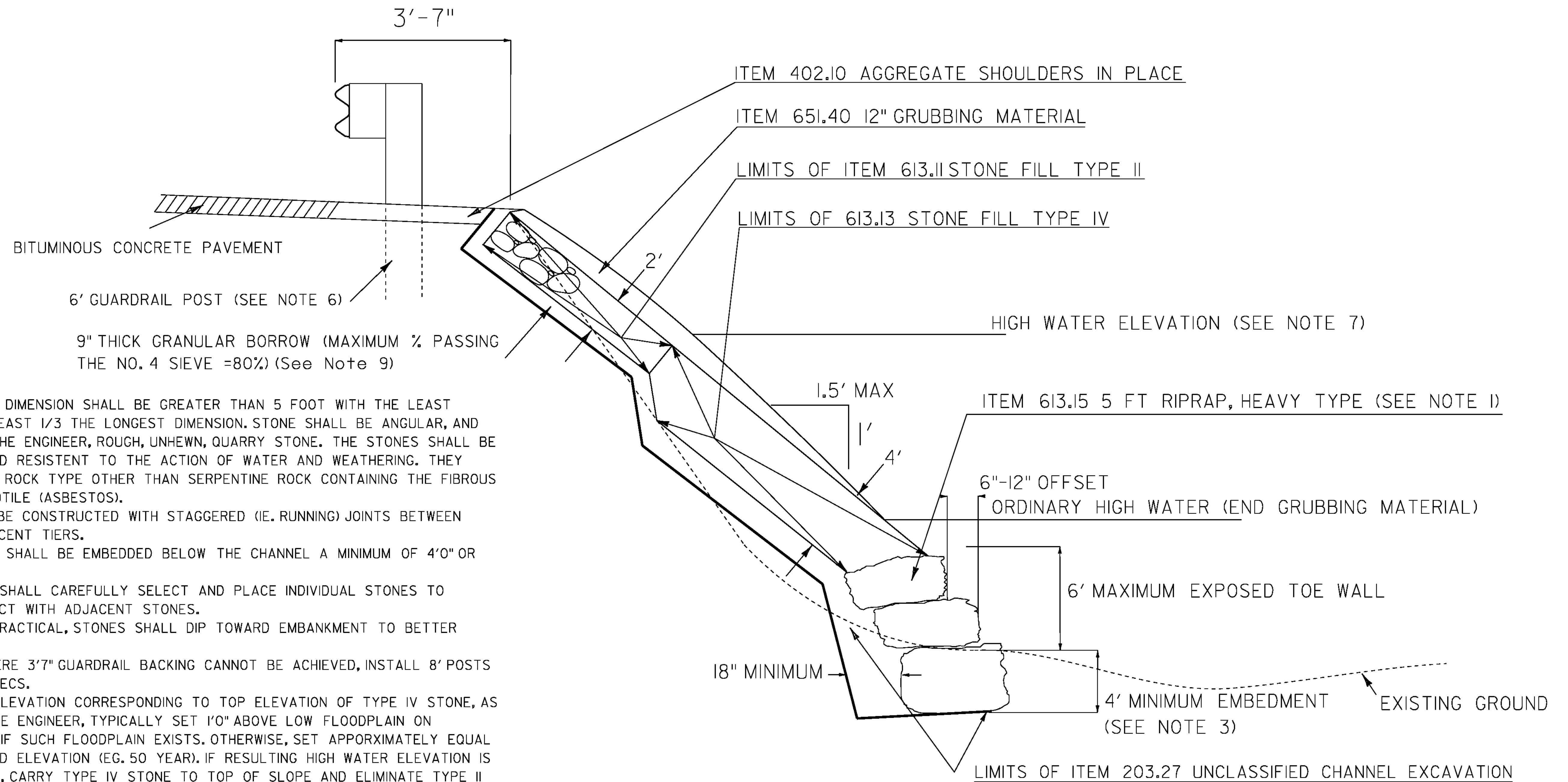


# STONE FILL SLOPE PROTECTION WITH STONE TOE WALL



## NOTES.

1. THE PRINCIPLE DIMENSION SHALL BE GREATER THAN 5 FOOT WITH THE LEAST DIMENSION AT LEAST 1/3 THE LONGEST DIMENSION. STONE SHALL BE ANGULAR, AND APPROVED BY THE ENGINEER, ROUGH, UNHEWN, QUARRY STONE. THE STONES SHALL BE HARD, SOUND AND RESISTANT TO THE ACTION OF WATER AND WEATHERING. THEY SHALL BE OF A ROCK TYPE OTHER THAN SERPENTINE ROCK CONTAINING THE FIBROUS VARIETY CHRYSOTILE (ASBESTOS).
2. WALL SHALL BE CONSTRUCTED WITH STAGGERED (IE. RUNNING) JOINTS BETWEEN ROCKS ON ADJACENT TIERS.
3. FOOTER ROCK SHALL BE EMBEDDED BELOW THE CHANNEL A MINIMUM OF 4'0" OR ON BEDROCK.
4. CONTRACTOR SHALL CAREFULLY SELECT AND PLACE INDIVIDUAL STONES TO MAXIMIZE CONTACT WITH ADJACENT STONES.
5. TO EXTENT PRACTICAL, STONES SHALL DIP TOWARD EMBANKMENT TO BETTER RESIST SLIDING.
6. IN AREAS WHERE 3'7" GUARDRAIL BACKING CANNOT BE ACHIEVED, INSTALL 8' POSTS PER ITEM 621 SPECS.
7. HIGH WATER ELEVATION CORRESPONDING TO TOP ELEVATION OF TYPE IV STONE, AS DIRECTED BY THE ENGINEER, TYPICALLY SET 1'0" ABOVE LOW FLOODPLAIN ON OPPOSITE BANK IF SUCH FLOODPLAIN EXISTS. OTHERWISE, SET APPROXIMATELY EQUAL TO MAJOR FLOOD ELEVATION (EG. 50 YEAR). IF RESULTING HIGH WATER ELEVATION IS ABOVE ROADWAY, CARRY TYPE IV STONE TO TOP OF SLOPE AND ELIMINATE TYPE II STONE FILL.
8. THE STONE SLOPE SHALL BE NO STEEPER THAN 1.5H TO 1.0V UNLESS DIRECTED BY THE ENGINEER.
9. GEOTEXTILE ITEM 649.31 CAN BE USED INSTEAD OF GRANULAR BORROW AT THE TOP 5 FEET OF SLOPE. GEOTEXTILE MAY BE USED FOR THE TOTAL LENGTH OF SLOPE WHEN THE MAXIMUM HEIGHT OF THE SLOPE IS LESS THAN 15 FEET.

PROJECT NAME: HARTFORD-RANDOLPH	
PROJECT NUMBER: ER 014-7(21)	
FILE NAME:	PLOT DATE: 11-JUL-2013
PROJECT LEADER: CHRIS BUMP	DRAWN BY: ANDREW BERNIER
DESIGNED BY: ANDREW BERNIER	CHECKED BY: MICHELLE REDMOND
TYPICAL SHEETS	SHEET 4 OF 20