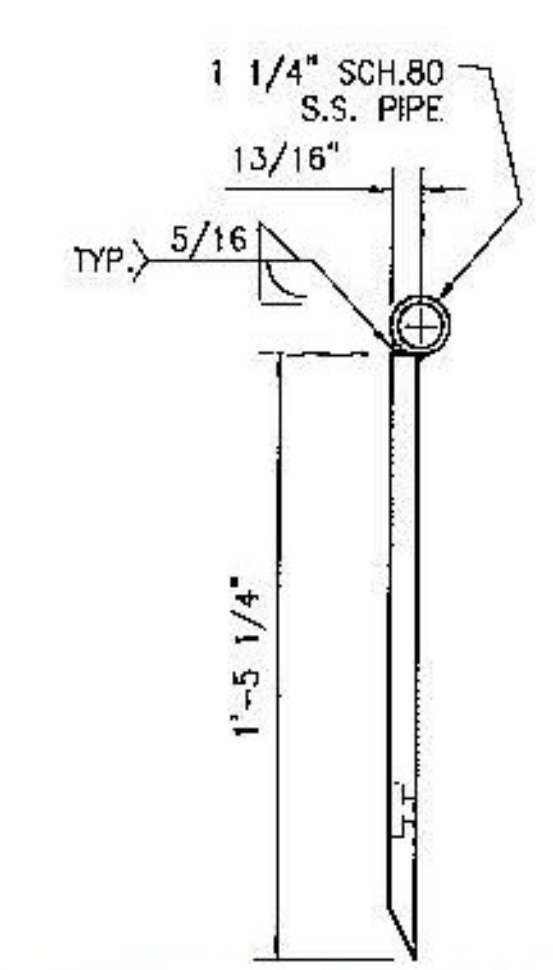
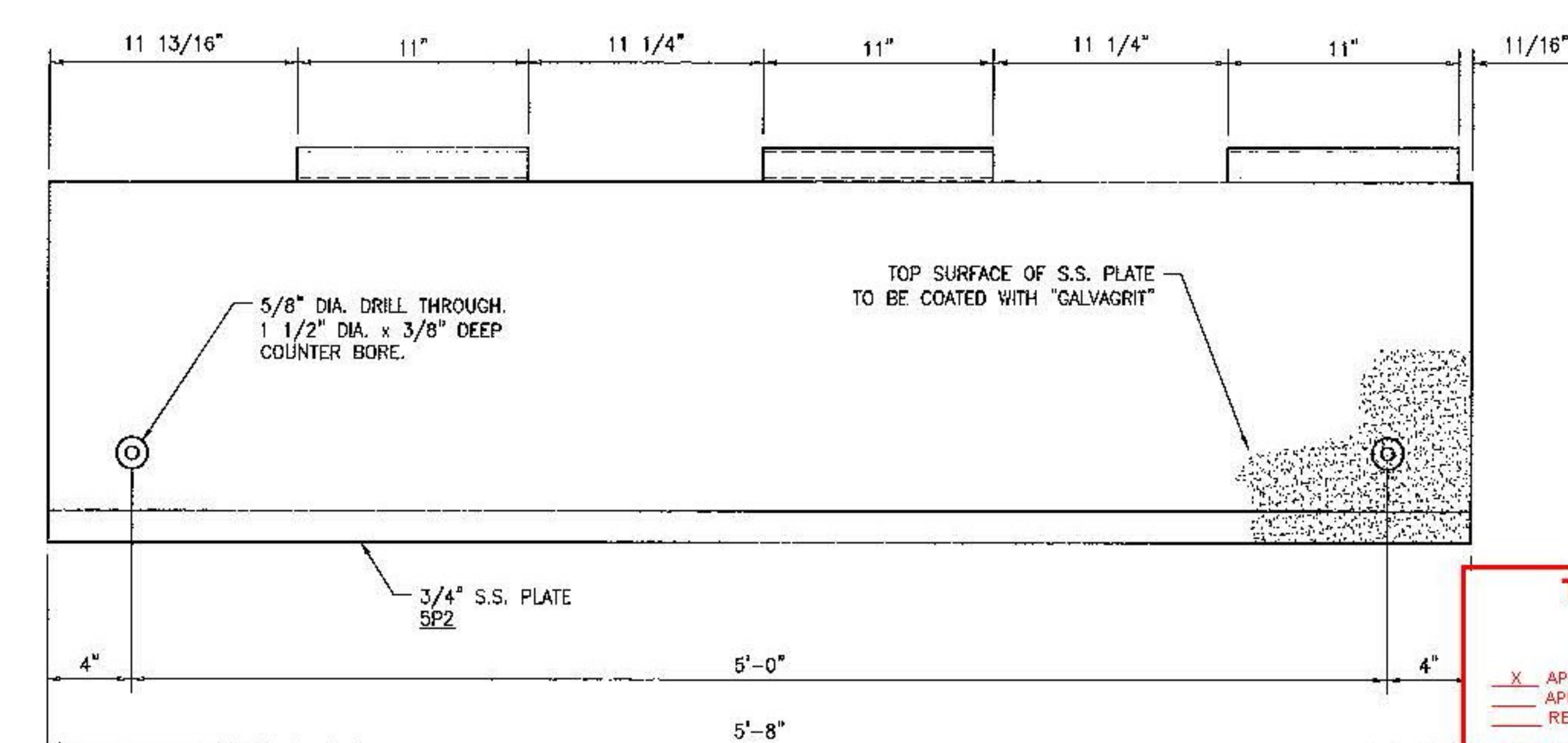
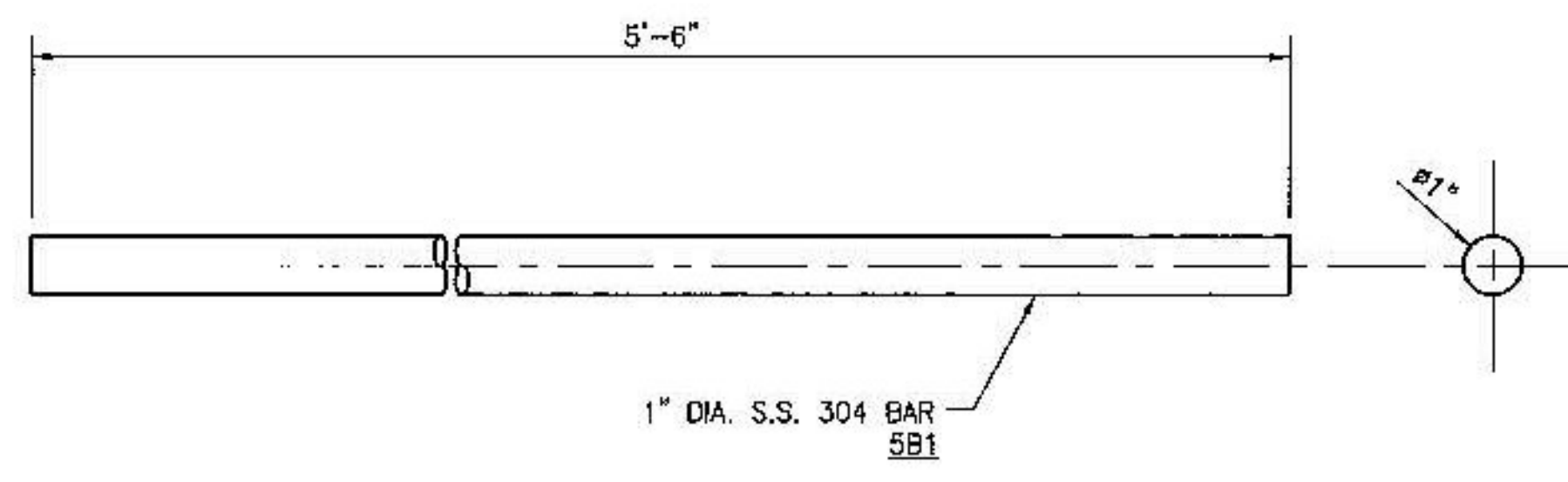


(2) - EMB154768AE - AS SHOWN  
 (2) - EMB154768AF - OPP. HAND  
 RAMP / FLOAT - SIDEWALK ASSEMBLY

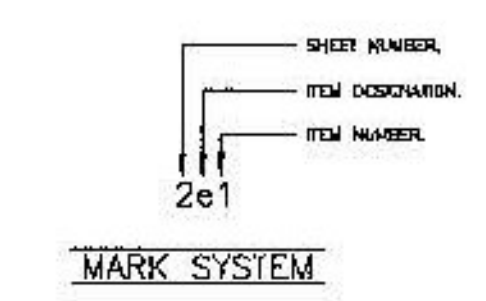
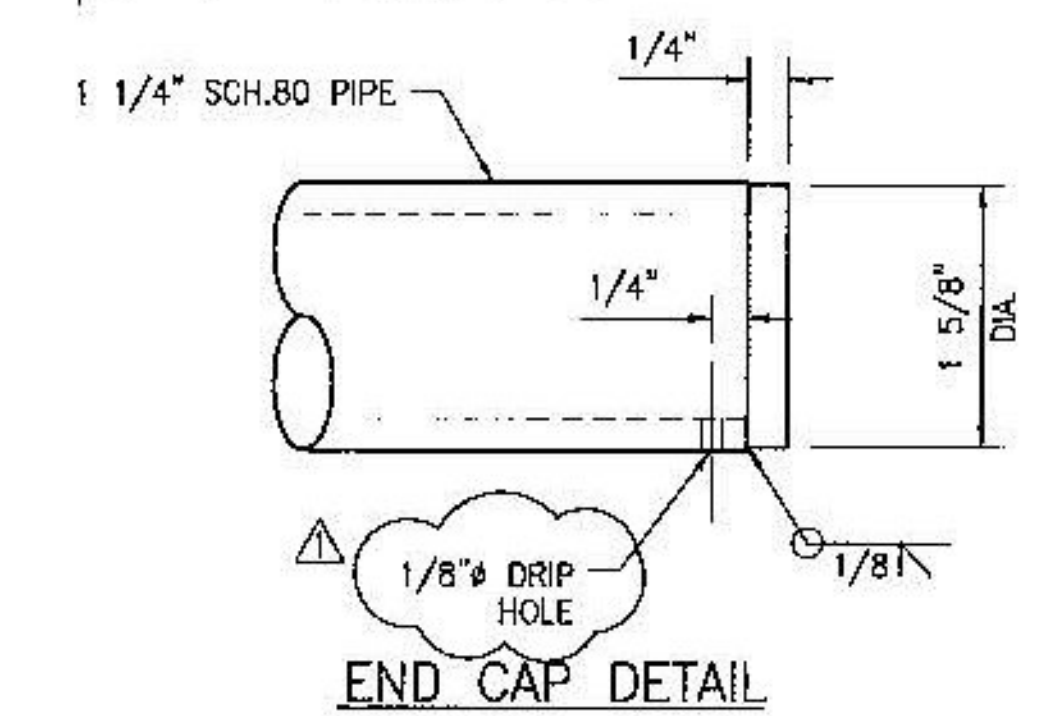


EMB154768AE QTY: 2 RECD. STRUCTURED BILL OF MATERIALS

LV	PART NO.	QTY	UM	DESCRIPTION	MATERIAL	REVISION
0	EMB154768AE	1.00	EA	EMB, RAMP/FLOAT - SIDEWALK ASSY., 5.67'	UNCOATED	
				GALVAGRIT (FINE) COATING ON TOP SURFACES OF 3/4" PLATES	APPROX. SHIPPING WEIGHT = 650 lb	
1	NTS154768E	600.00	LB	STNLS STL 3/4" TYPE 304 NO FIN	5P1, 5P2	
1	NTS154768F	6.00	FT	1 1/4" SCH.80 S.S. PIPE (A)		
1	NTS154768G	5.75	FT	ROUND BAR 1" S.S. 304 (A)	5B1	
1	8595	0.50	LB	STNLS STL 1/4" TYPE 304 2B FIN	#N/A #N/A	

EMB154768AF QTY: 2 RECD. STRUCTURED BILL OF MATERIALS

LV	PART NO.	QTY	UM	DESCRIPTION	MATERIAL	REVISION
0	EMB154768AF	1.00	EA	EMB, RAMP/FLOAT - SIDEWALK ASSY., 5.67'	UNCOATED	
				GALVAGRIT (FINE) COATING ON TOP SURFACES OF 3/4" PLATES	APPROX. SHIPPING WEIGHT = 650 lb	
1	NTS154768E	600.00	LB	STNLS STL 3/4" TYPE 304 NO FIN	5P1, 5P2	
1	NTS154768F	6.00	FT	1 1/4" SCH.80 S.S. PIPE (A)		
1	NTS154768G	5.75	FT	ROUND BAR 1" S.S. 304 (A)	5B1	
1	8595	0.50	LB	STNLS STL 1/4" TYPE 304 2B FIN	#N/A #N/A	



Vermont Agency of Transportation  
**RECEIVED**  
 ON: June 20, 2014  
 and Checked for  
**CONFORMANCE**  
 BY: Jennifer Fitch DATE: 06/26/2014

**T.Y. LIN INTERNATIONAL**  
 THE STAMPED DOCUMENTS ARE HEREBY:  
 APPROVED  
 APPROVED AS NOTED  
 REVISE AND RESUBMIT  
 SEE TRANSMITTAL FOR ADDITIONAL INFORMATION AS APPLICABLE.  
 THIS REVIEW IS FOR GENERAL CONFORMANCE WITH DESIGN CONCEPT ONLY. ANY DEVIATION FROM THE PLANS OR SPECIFICATIONS NOT CLEARLY NOTED BY THE CONTRACTOR HAS NOT BEEN REVIEWED. REVIEW BY THE ENGINEER SHALL NOT RELIEVE THE CONTRACTOR OF THE CONTRACTUAL RESPONSIBILITY FOR ANY ERRORS OR DEVIATION FROM THE CONTRACT REQUIREMENTS.  
 JOSH OLLUND 06/25/2014  
 REVIEWER DATE

STATE: VERMONT  
 COUNTY: ORANGE  
 PROJECT NO.: BR' FLBR(2)  
 REFERENCE NO.: XXXXXXXXX  
 DISTRICT: XXX ROUTE: 65  
 WBA PRODUCT NO.: EMB154768AA-AF

DRAWING ACTION:  
 SUBMITTED FOR APPROVAL  
 DATE: 6/5/14

REVISOR: TEB/2/14  
 REVISION: REVISED PER REVIEWERS COMMENTS  
 INFORMATION PROVIDED HEREIN, INCLUDING BUT NOT LIMITED TO, ANY DRAWING, DESIGN, PHOTOGRAPH, GRAPHIC, OR STATEMENT(S) ("MATERIAL") ARE PREPARED AND THE PROPERTY OF Watson Bowman Acme Corporation ("Company"). REPRODUCTION, TRANSMISSION, OR REDUCTION TO ANY ELECTRONIC MEDIUM OR PRINTED REPRODUCIBLE FORM, IN WHOLE OR PART, IS STRICTLY PROHIBITED, EXCEPT FOR THE EXPRESS PURPOSE FOR WHICH IT HAS BEEN FURNISHED, WITHOUT PRIOR WRITTEN CONSENT OF COMPANY. ALL MATERIALS CONTAINED HEREIN ARE PROVIDED BY COMPANY FOR INFORMATION PURPOSES ONLY. COMPANY RESERVES THE RIGHT TO AMEND OR WITHDRAW ANY INFORMATION CONTAINED IN THE CONTRACT WITHOUT NOTICE. ALL TECHNICAL OR OTHER ADVICE BY COMPANY, WHETHER VERBAL OR WRITTEN, CONCERNING PRODUCTS, OR THE USE OF PRODUCTS IN SPECIFIC SITUATIONS ("ADVICE") IS GIVEN BY COMPANY AND IS USED AT THE USER'S OWN RISK.

PROJECT: VERMONT RTE 65 REPLACEMENT OF FLOATING BRIDGE  
 WABO EMB HINGED SLIDING PLATE JOINT DETAILS  
 SHEET NO.: 5 OF 6  
 DATE: 6/4/14  
 DATE: 6/6/14  
 SCALE: NONE  
 WBA JOB NO.: 154768  
 DRAWING NO.: D-31790