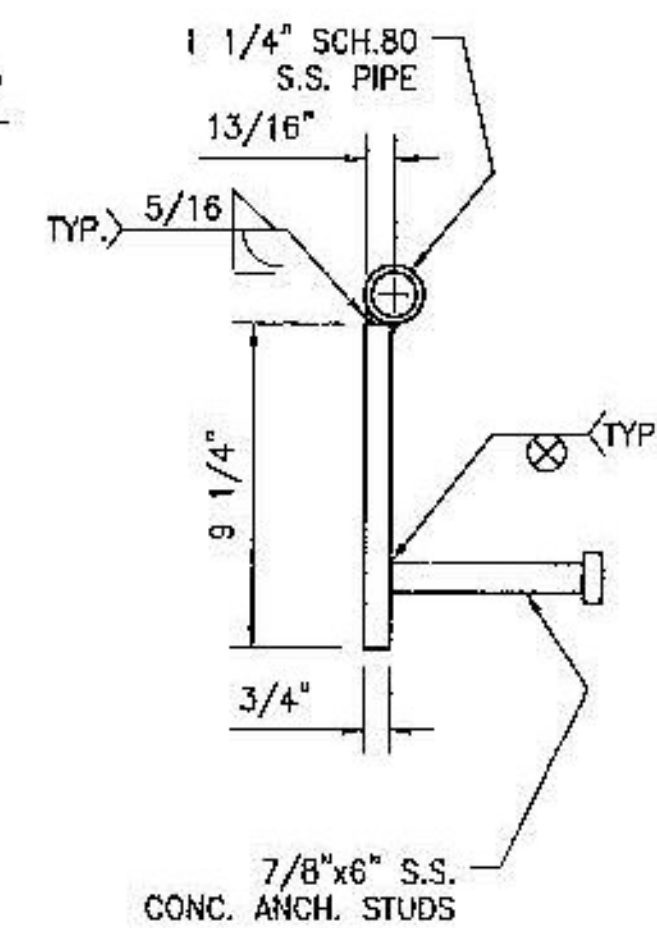
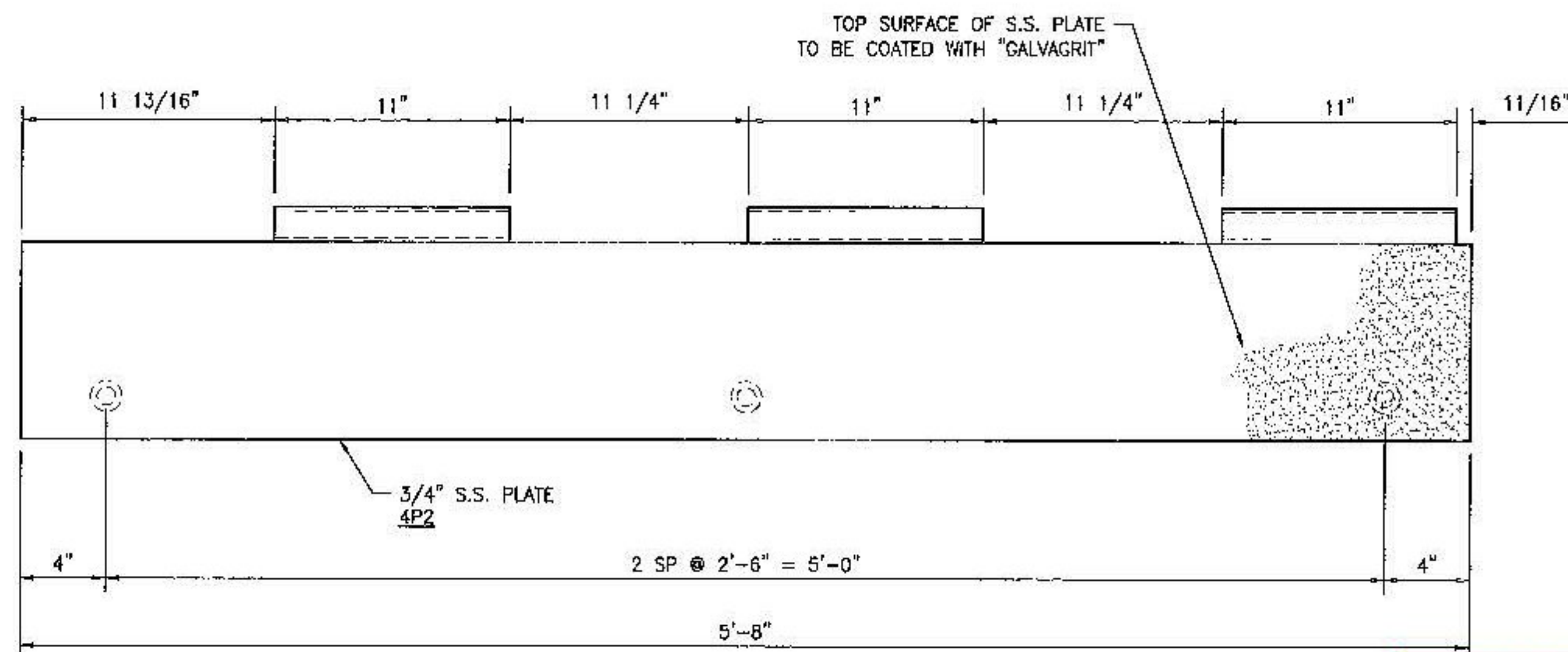
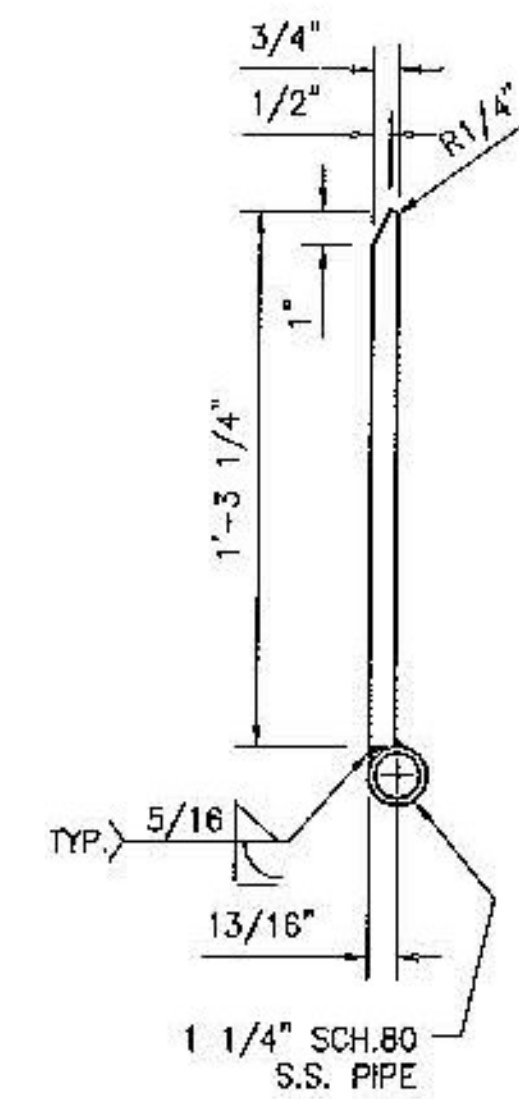
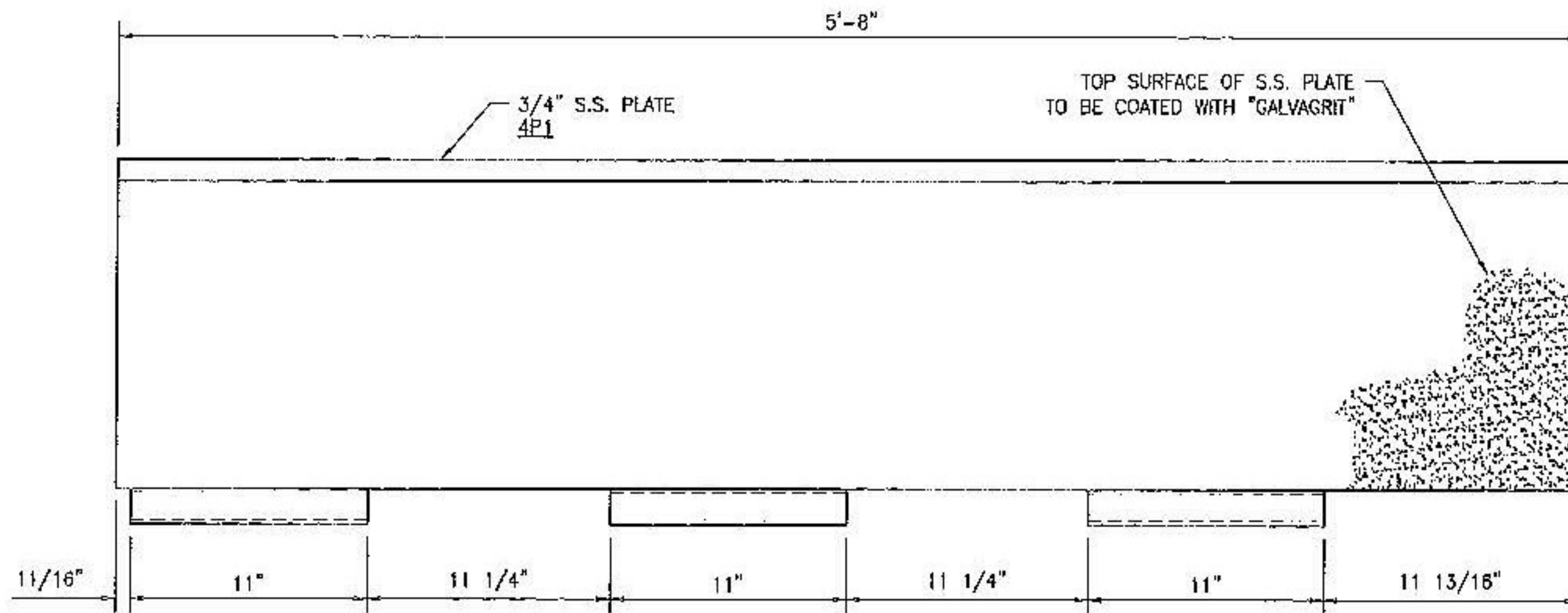
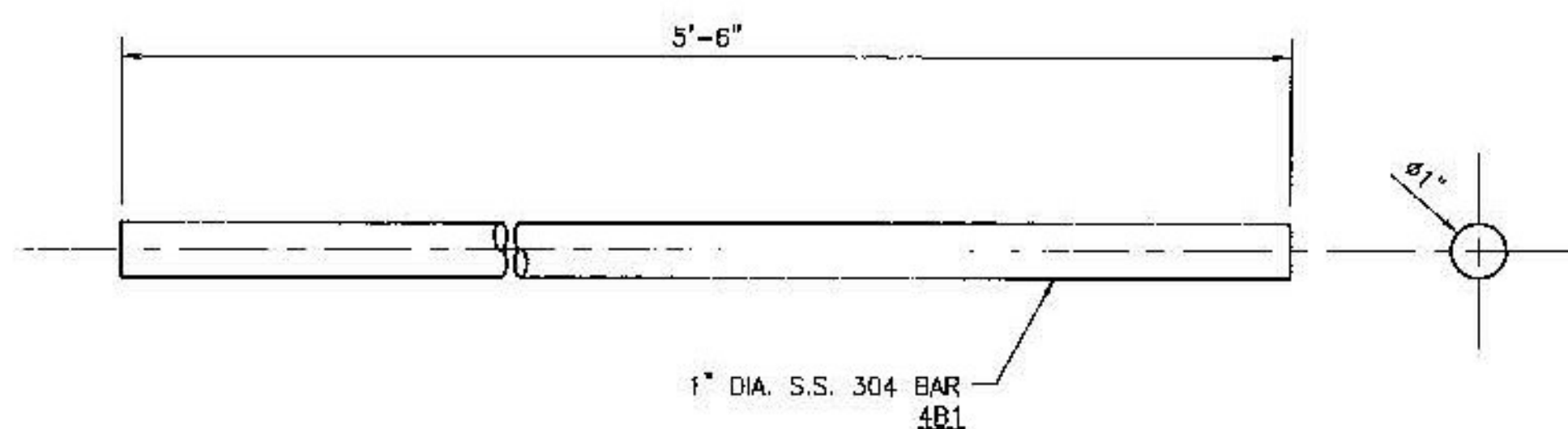
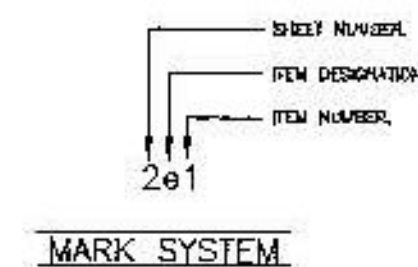
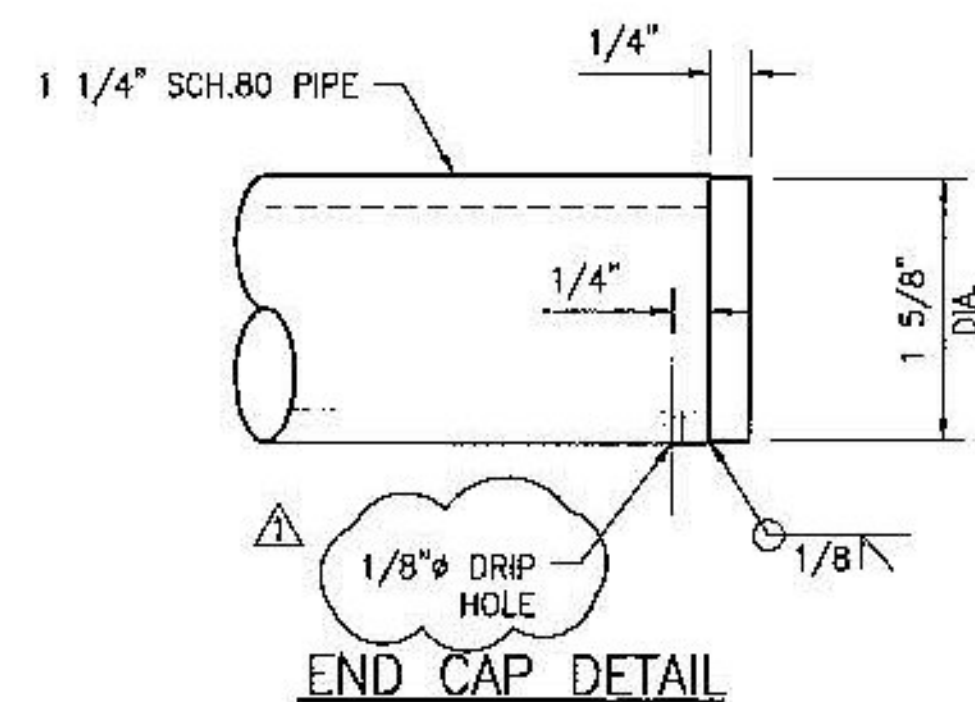


(2) -- EMB154768AC -- AS SHOWN
 (2) -- EMB154768AD -- AS NOTED
 ABUTMENT / RAMP -- SIDEWALK ASSEMBLY



LV	PART NO.	QTY	UM	DESCRIPTION	MATERIAL	REVISION
0	EMB154768AC	1.00	EA	EMB, ABUT/RAMP - SIDEWALK ASSY, 5.67'	UNCOATED SHIPPING LENGTH = 6± APPROX. SHIPPING WEIGHT = 420 lb	
				GALVAGRIT (FINE) COATING ON TOP SURFACES OF 3/4" PLATES		
1	NTS154768E	375.00	LB	STNLS STL 3/4" TYPE 304 NO FIN	4P1, 4P2	
1	NTS154768F	6.00	FT	1 1/4" SCH 80 S.S. PIPE (A)		
1	NTS154768C	3.00	EA	7/8"x6" CONC. ANCH. STUDS S.S. ASTM F593 (A)		
1	NTS154768G	5.75	FT	ROUND BAR 1" S.S. 304 (A)	4B1	
1	8595	0.50	LB	STNLS STL 1/4" TYPE 304 2B FIN		
			#N/A	#N/A		

LV	PART NO.	QTY	UM	DESCRIPTION	MATERIAL	REVISION
0	EMB154768AD	1.00	EA	EMB, ABUT/RAMP - SIDEWALK ASSY, 5.67'	UNCOATED SHIPPING LENGTH = 6± APPROX. SHIPPING WEIGHT = 420 lb	
				GALVAGRIT (FINE) COATING ON TOP SURFACES OF 3/4" PLATES		
1	NTS154768E	375.00	LB	STNLS STL 3/4" TYPE 304 NO FIN	4P1, 4P2	
1	NTS154768F	6.00	FT	1 1/4" SCH 80 S.S. PIPE (A)		
1	NTS154768C	3.00	EA	7/8"x6" CONC. ANCH. STUDS S.S. ASTM F593 (A)		
1	NTS154768G	5.75	FT	ROUND BAR 1" S.S. 304 (A)	4B1	
1	8595	0.50	LB	STNLS STL 1/4" TYPE 304 2B FIN		
			#N/A	#N/A		



Vermont Agency of Transportation
RECEIVED
 ON: June 20, 2014
 and Checked for
CONFORMANCE
 BY: Jennifer Fitch DATE: 06/28/2014

T.Y. LIN INTERNATIONAL
 THE STAMPED DOCUMENTS ARE HEREBY:
 APPROVED
 APPROVED AS NOTED
 REVISE AND RESUBMIT
 SEE TRANSMITTAL FOR ADDITIONAL INFORMATION AS APPLICABLE.
 THIS REVIEW IS FOR GENERAL CONFORMANCE WITH DESIGN CONCEPT ONLY. ANY DEVIATION FROM THE PLANS OR SPECIFICATIONS NOT CLEARLY NOTED BY THE CONTRACTOR HAS NOT BEEN REVIEWED. REVIEW BY THE ENGINEER SHALL NOT RELIEVE THE CONTRACTOR OF THE CONTRACTUAL RESPONSIBILITY FOR ANY ERRORS OR DEVIATION FROM THE CONTRACT REQUIREMENTS.
 JOSH OLLUND 06/25/2014
 REVIEWER DATE

STATE: VERMONT
 COUNTY: ORANGE
 PROJECT NO.: BRF FLBR(2)
 REFERENCE NO.: XXXXXXXXX
 DISTRICT: XXX ROUTE: 65
 WBA PRODUCT NO.: EMB154768AA-AF

DRAWING ACTION:
 SUBMITTED FOR APPROVAL
 DATE: 6/5/14

REVISOR: []
 REVISION: []
 REVISIONS PER REVIEWERS COMMENTS
 INFORMATION PROVIDED HEREIN, INCLUDING BUT NOT LIMITED TO, ANY DRAWING, DESIGN, PHOTOGRAPH, GRAPHIC, OR STATEMENT(S) ("MATERIALS") ARE PROPRIETARY AND THE PROPERTY OF WATSON BOWMAN ACME CORPORATION ("COMPANY"). REPRODUCTION, TRANSMISSION, OR REDUCTION TO ANY ELECTRONIC MEDIUM OR MACHINE READABLE FORM, IN WHOLE OR PART, IS STRICTLY PROHIBITED, EXCEPT FOR THE EXPRESS PURPOSE FOR WHICH IT HAS BEEN FURNISHED, WITHOUT PRIOR WRITTEN CONSENT OF COMPANY. ALL MATERIALS CONTAINED HEREIN ARE PROVIDED BY COMPANY FOR INFORMATION PURPOSES ONLY. COMPANY RESERVES THE RIGHT TO AMEND OR WITHDRAW ANY INFORMATION CONTAINED IN THE MATERIALS WITHOUT NOTICE. ALL TECHNICAL OR OTHER NOTICE BY COMPANY, WHETHER VERBAL OR WRITTEN, CONCERNING PRODUCTS, OR THE USE OF PRODUCTS IN SPECIFIC SITUATIONS ("ADVICE") IS GIVEN BY COMPANY AND IS USED AT THE USER'S OWN RISK.

PROJECT: VERMONT RTE 65 REPLACEMENT OF FLOATING BRIDGE
 WABO EMB HINGED SLIDING PLATE JOINT DETAILS
 DATED BY: TEB DATE: 6/4/14
 DESIGNED BY: TPL DATE: 6/6/14
 SCALE: NONE WBA JOB NO.: 154768
 SHEET NO.: 4 OF 6 DRAWING NO.: D-31790