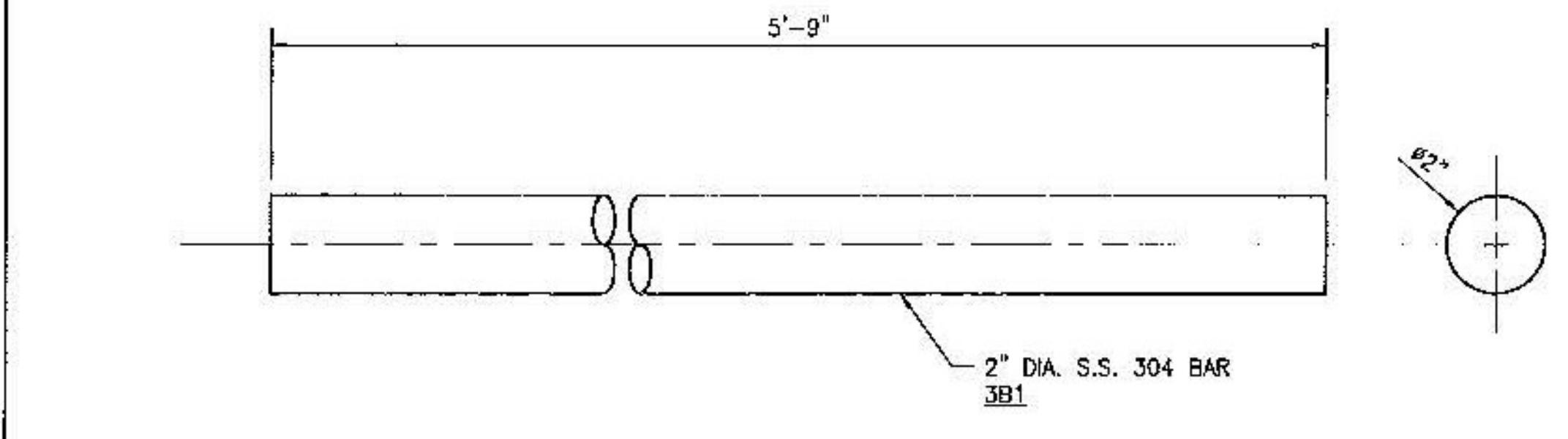
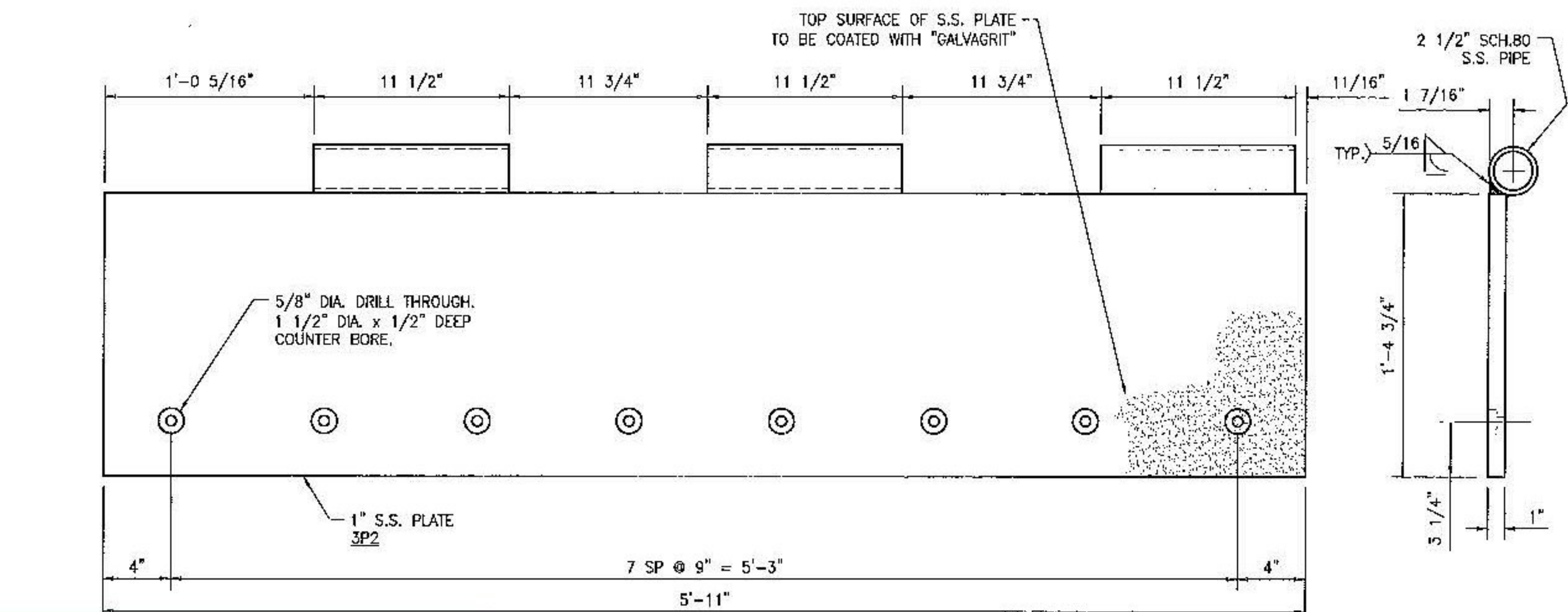


(4) - EMB154768AB
RAMP / FLOAT - ROADWAY ASSEMBLY



Vermont Agency of Transportation
RECEIVED
ON: June 20, 2014
and Checked for
CONFORMANCE
BY: Jennifer Fitch DATE: 06/26/2014



T.Y. LIN INTERNATIONAL
THE STAMPED DOCUMENTS ARE HEREBY:
X - APPROVED
- APPROVED AS NOTED
- REVISE AND RESUBMIT
SEE TRANSMITTAL FOR ADDITIONAL INFORMATION AS APPLICABLE.
THIS REVIEW IS FOR GENERAL CONFORMANCE WITH DESIGN CONCEPT ONLY. ANY DEVIATION FROM THE PLANS OR SPECIFICATIONS NOT CLEARLY NOTED BY THE CONTRACTOR HAS NOT BEEN REVIEWED. REVIEW BY THE ENGINEER SHALL NOT RELIEVE THE CONTRACTOR OF THE CONTRACTUAL RESPONSIBILITY FOR ANY ERRORS OR DEVIATION FROM THE CONTRACT REQUIREMENTS.
JOSH OLLUND
REVIEWER
06/25/2014
DATE

LV	PART NO.	QTY	UM	DESCRIPTION	MATERIAL	REVISION
0	EMB154768AB	1.00	EA	EMB RAMP/FLOAT - ROADWAY ASSY; 5 B2	UNCOATED	
					SHIPPING LENGTH = 6'	
				GALVAGRIT (EHE) COATING ON TOP SURFACES OF 1" PLATES	APPROX. SHIPPING WEIGHT = 870 LB	
1	NTS154768A	760.00	LB	STHLS STL 1" TYPE 304 NO FIN	3P1, 3P2	
1	NTS154768B	6.00	FT	2 1/2" SCH.80 S.S. PIPE (A)		
1	NTS154768D	5.75	FT	ROUND BAR 2" S.S. 304 (A)	3B1	
				#N/A #N/A		

DRAWING ACTION: SUBMITTED FOR APPROVAL
DATE: 6/5/14

REVISOR: TEB/PL
REVISED PER REVIEWERS COMMENTS

STATE: VERMONT
COUNTY: ORANGE
PROJECT NO.: BRFLR(2)
REFERENCE NO.: XXXXXXXXX
DISTRICT: XXX ROUTE: 65
WBA PRODUCT NO.: EMB154768AA-AF

WATSON BOWMAN Acme
VERMONT RTE 65 REPLACEMENT OF FLOATING BRIDGE
WABO EMB HINGED SLIDING PLATE JOINT DETAILS

3 OF 6
D-31790