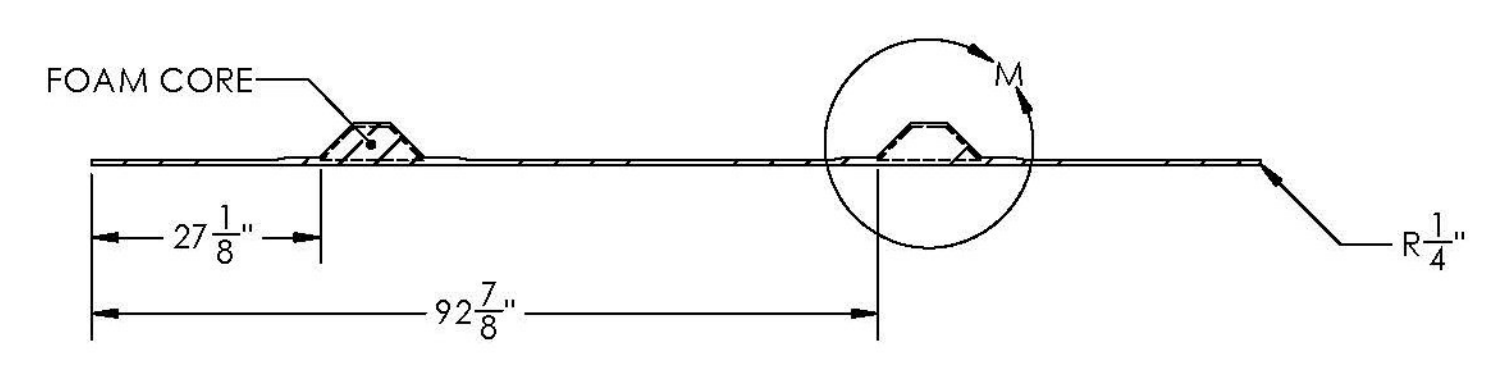
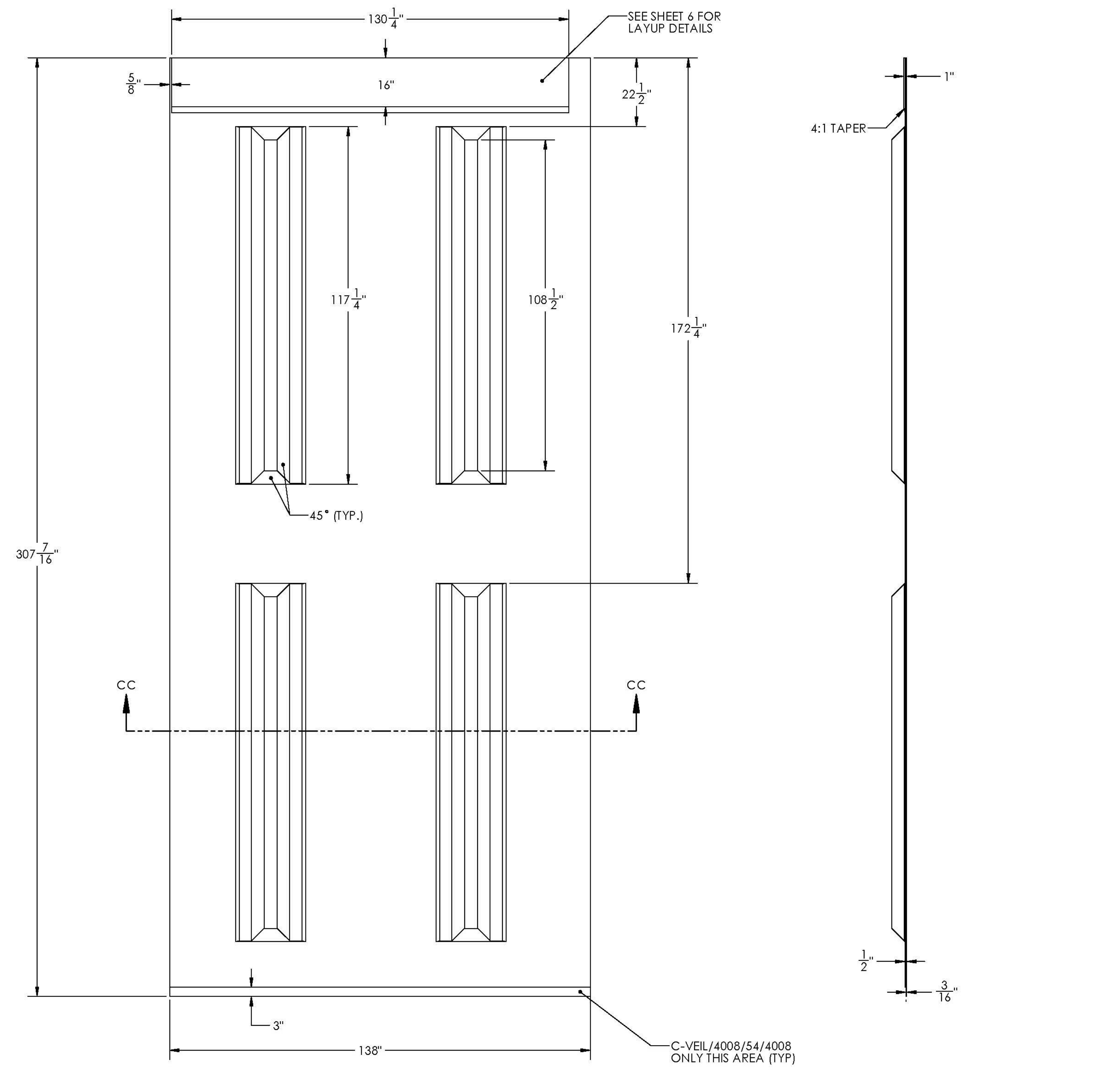
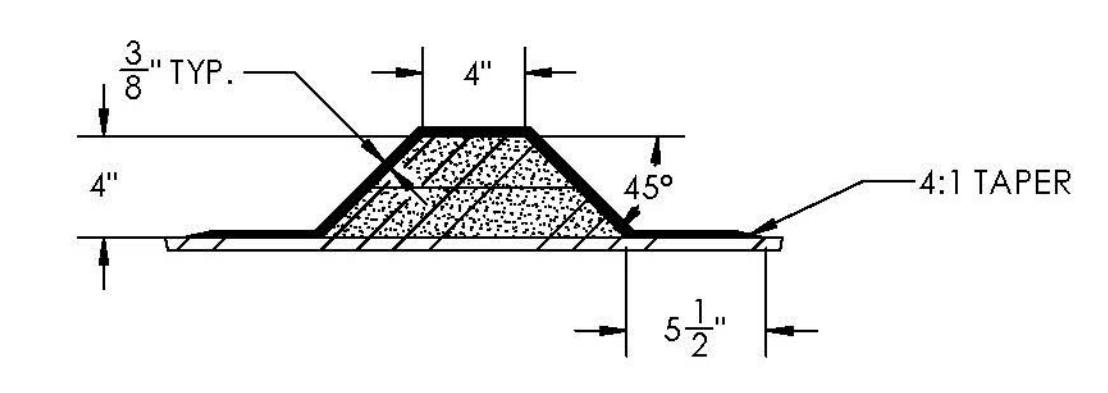
		DATE	6/28/14
		DESCRIPTION	CHANGED STIFFENER NOTE AND ADDED FACING LAYUP
REV	1		
SEAL			
DIMENSIONS ARE IN INCHES			
TOLERANCES: +0, -1/16"			
FRACTIONAL: +			
ANGULAR: MACH: +			
TWO PLACE DECIMAL: +			
THREE PLACE DECIMAL: ±			
DRAWN BY	DATE		
ML	6/4/14		
CHKD BY	DATE		
JM	6/4/14		
PROJECT	BROOKFIELD FRP PONTOONS		
CUSTOMER	MILLER CONST. / VTRANS		
SHEET	HALF TOP PLATE DIMENSIONS		
WEIGHT:	1,490 lb		
DESCRIPTION:	FABRICATION		
SCALE	1 : 24		
WO NO.	8420		
CONTRACT NO.	9185		
DWG NO.	8420-6		
SHEET	13 OF 16		
PONTOON	3-8	PART NO.	9



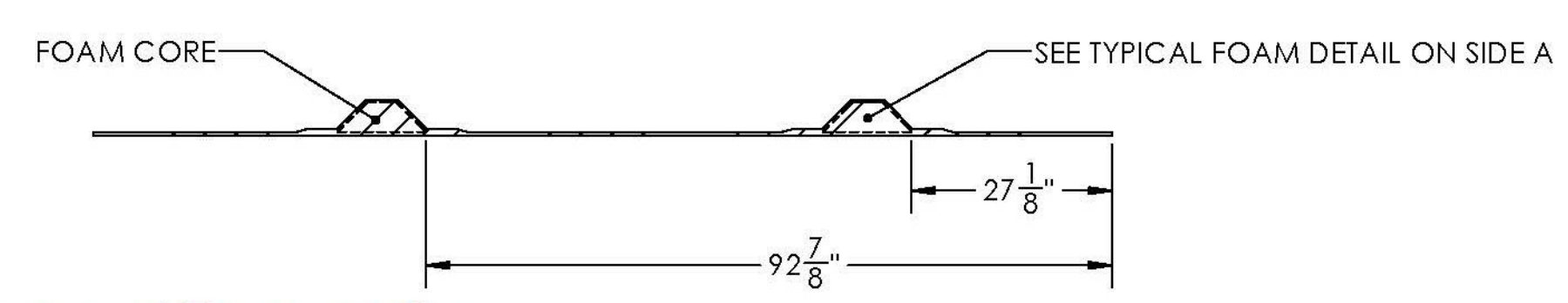
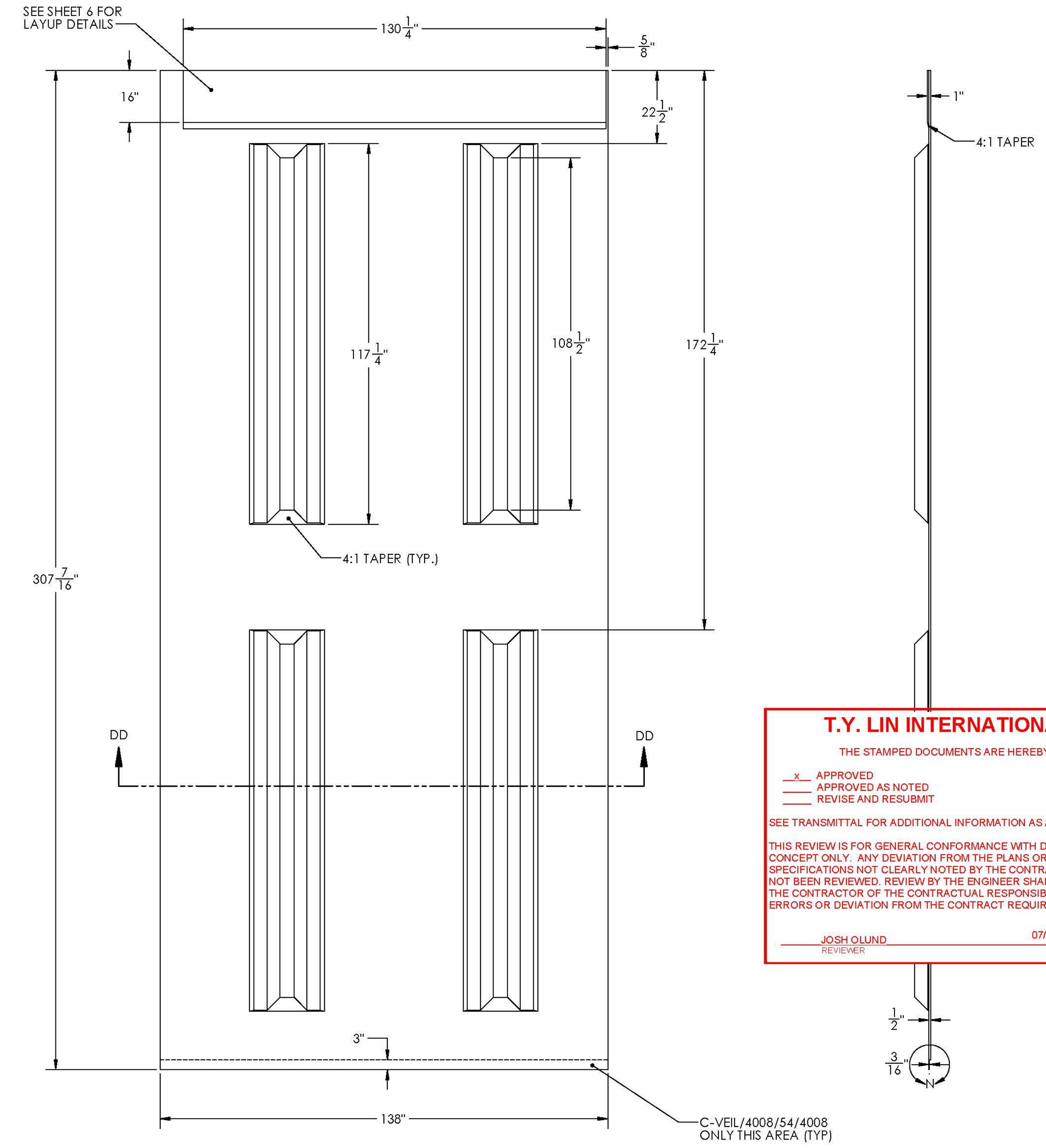
SECTION CC-CC

TOP PLATE SIDE A



DETAIL M  
TYPICAL STIFFENER DETAIL  
SCALE 1 : 8

NOTE:  
2 LAYERS OF 2" PERFORATED FOAM CORE WITH 1.5OZ CFM BETWEEN FOAM INFUSED WITH PRIMARY LAMINATE  
FACING LAYUP SCHEDULE: (1) 4008 / (5) 54 / (1) 4008



SECTION DD-DD

TOP PLATE SIDE B

**T.Y. LIN INTERNATIONAL**

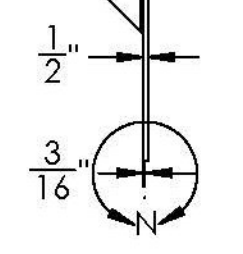
THE STAMPED DOCUMENTS ARE HEREBY:

APPROVED  
APPROVED AS NOTED  
REVISE AND RESUBMIT

SEE TRANSMITTAL FOR ADDITIONAL INFORMATION AS APPLICABLE.

THIS REVIEW IS FOR GENERAL CONFORMANCE WITH DESIGN CONCEPT ONLY. ANY DEVIATION FROM THE PLANS OR SPECIFICATIONS NOT CLEARLY NOTED BY THE CONTRACTOR HAS NOT BEEN REVIEWED. REVIEW BY THE ENGINEER SHALL NOT RELIEVE THE CONTRACTOR OF THE CONTRACTUAL RESPONSIBILITY FOR ANY ERRORS OR DEVIATION FROM THE CONTRACT REQUIREMENTS.

JOSH OLUND 07/03/2014  
REVIEWER DATE



DETAIL N  
SCALE 1 : 8

Vermont Agency of Transportation  
**RECEIVED**  
ON: June 30, 2014  
and Checked for  
**CONFORMANCE**  
BY: Jennifer Fitch DATE: 07/07/2014