



REV	DESCRIPTION	DATE

SEAL

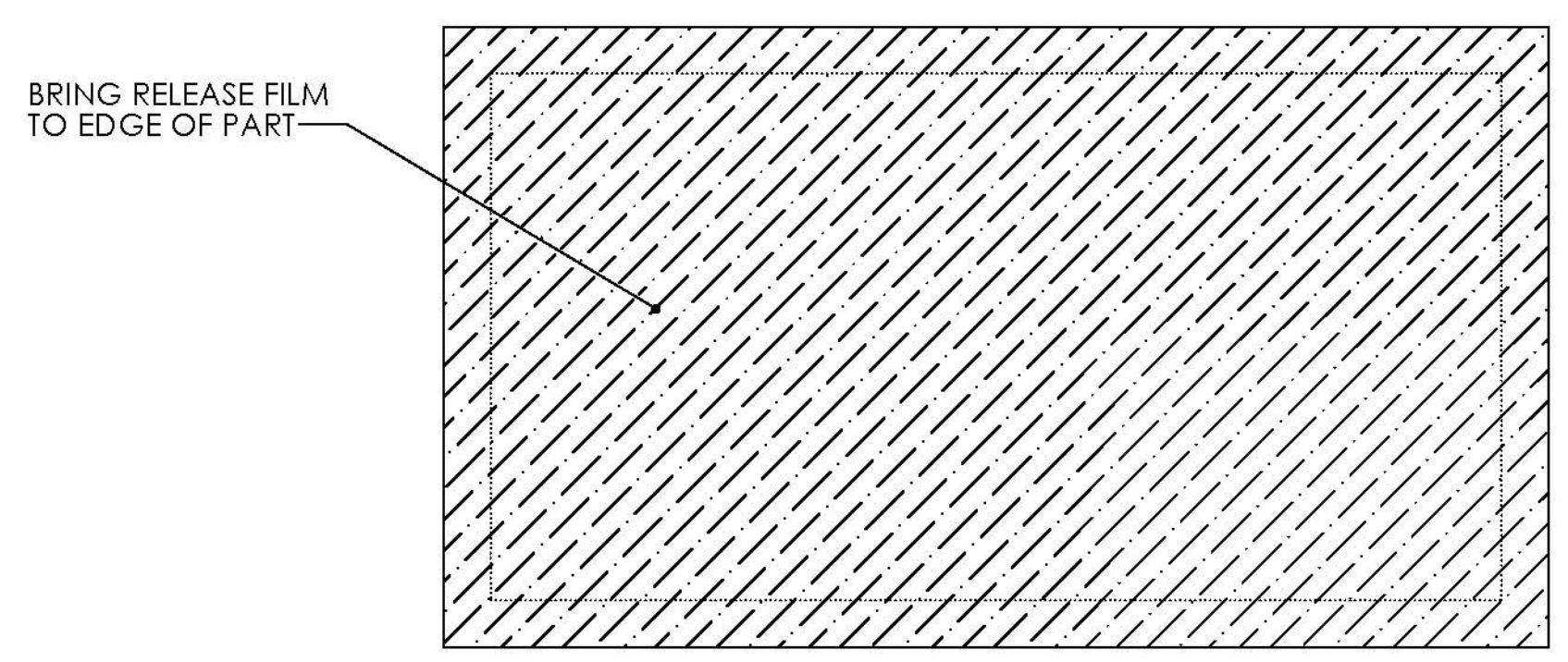
DIMENSIONS ARE IN INCHES  
 TOLERANCES: +0, -1/16"  
 FRACTIONAL +  
 ANGULAR: MACH +  
 BEND ±  
 TWO PLACE DECIMAL +  
 THREE PLACE DECIMAL ±

DRAWN BY	DATE
ML	6/4/14
CHKD BY	DATE
JM	6/4/14

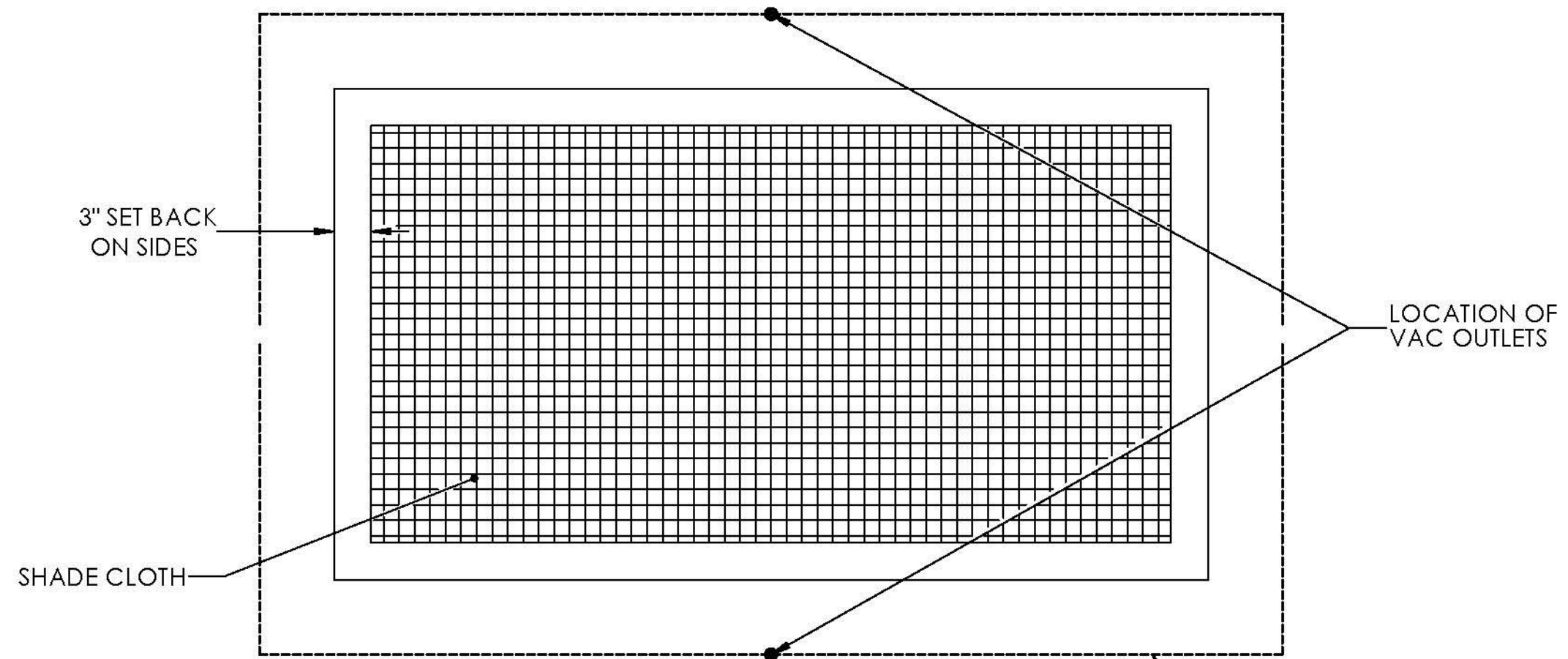
PROJECT: BROOKFIELD FRP PONTOONS  
 SHEET: BULKHEAD INFUSION LAYOUT AND DETAILS

CUSTOMER: MILLER CONST. / VTRANS

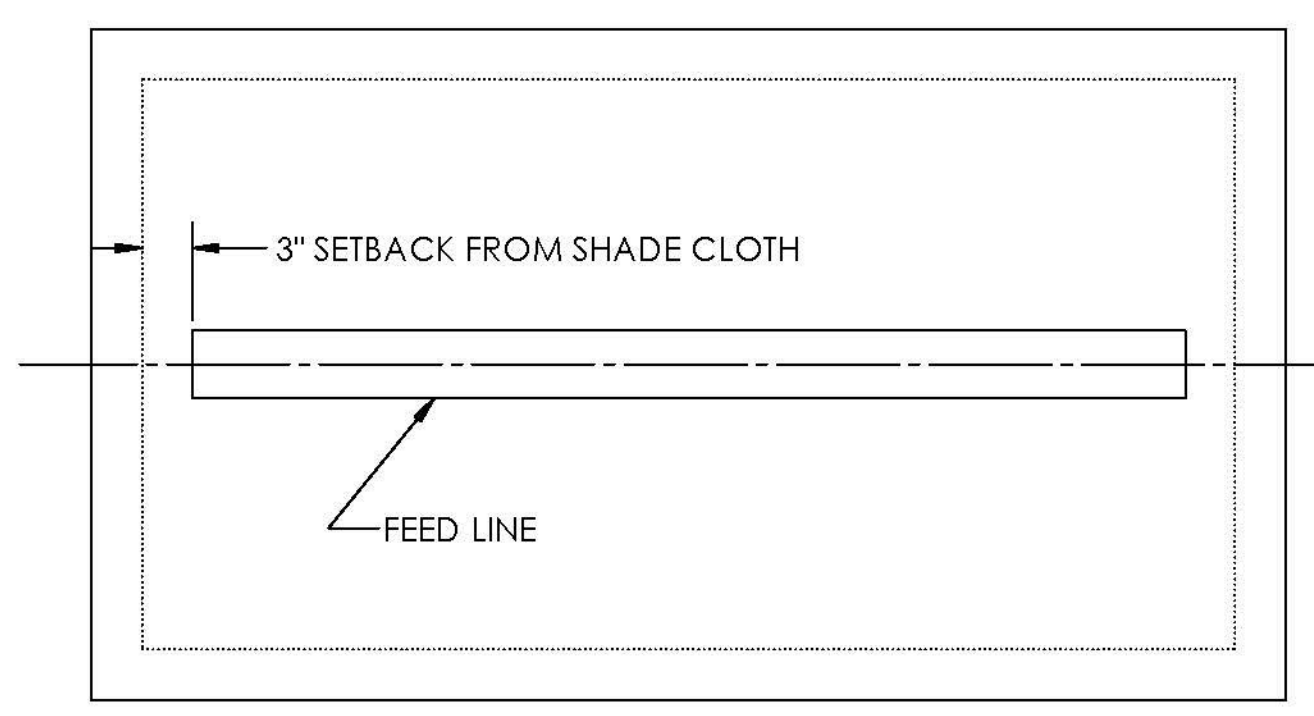
WEIGHT:	N/A
DESCRIPTION:	FABRICATION
SCALE:	1 : 12
WO NO.:	8420
CONTRACT NO.:	9185
DWG NO.:	8420-6
SHEET:	12 OF 16
PONTOON:	1-10
PART NO.:	2-4,6-8



RELEASE FILM

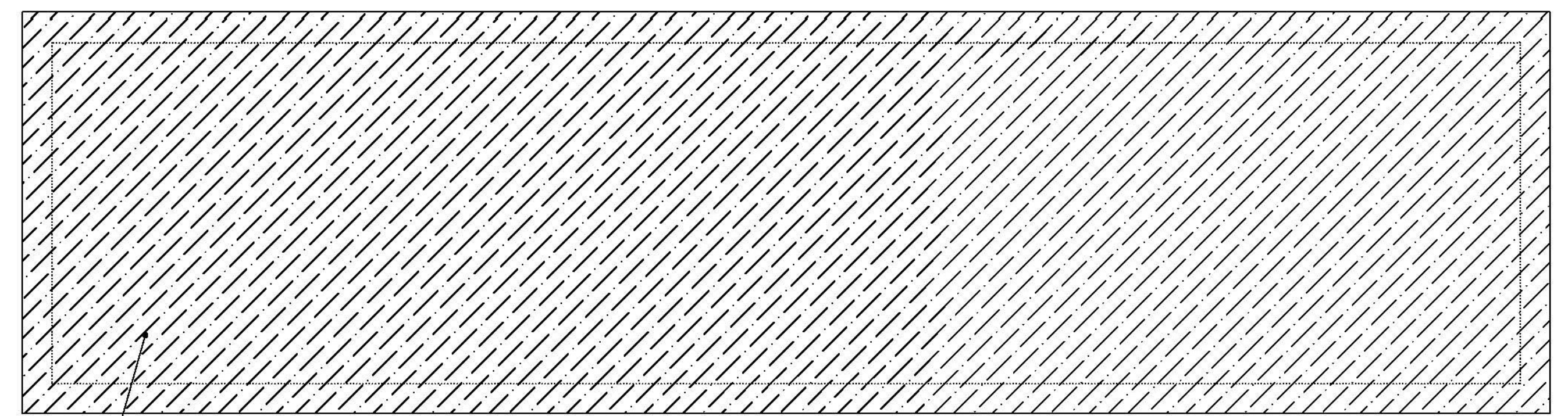


SHADE CLOTH & VAC LINES

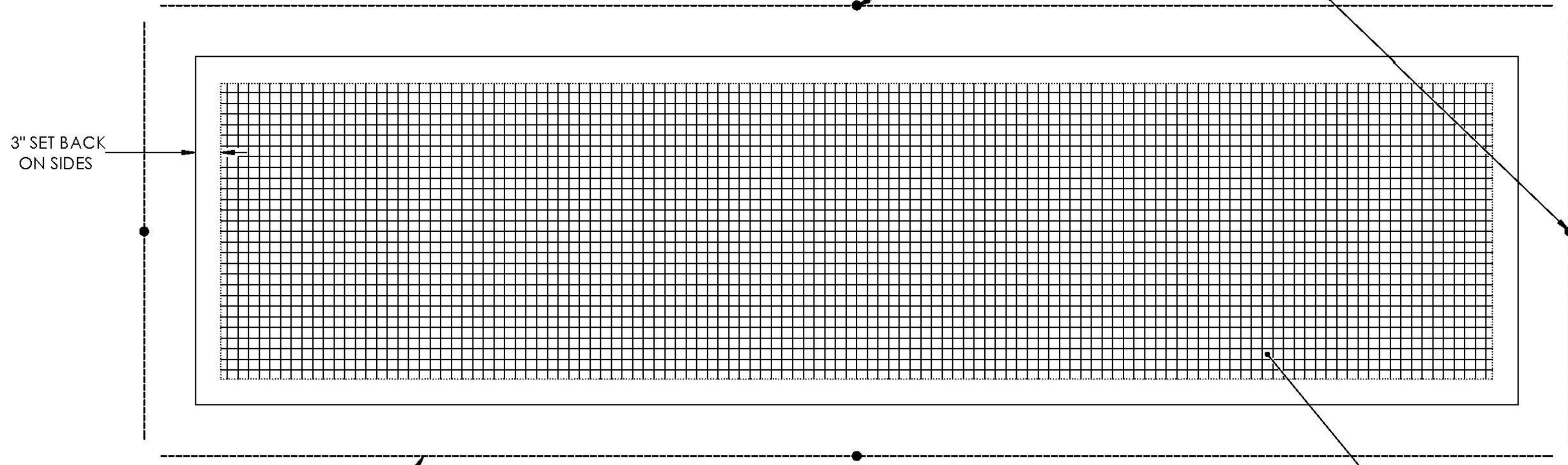


FEED LINE

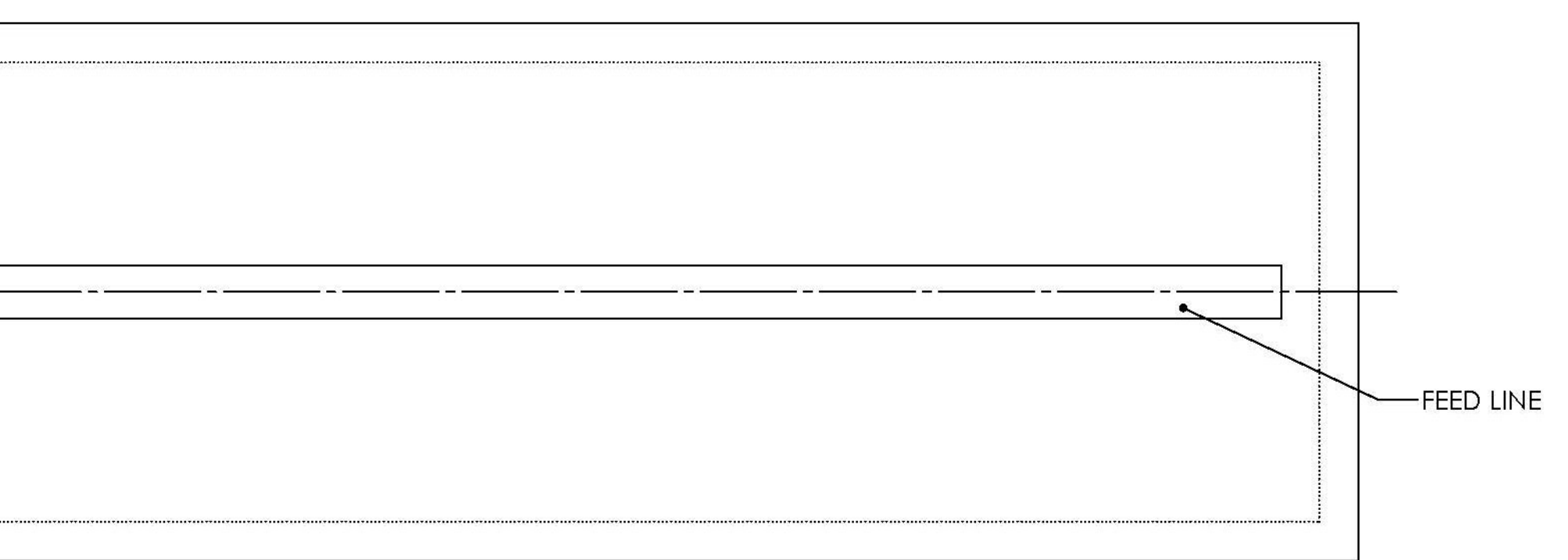
END BULKHEAD INFUSION DETAILS



RELEASE FILM



SHADE CLOTH & VAC LINES



FEED LINE

LONG BULKHEAD INFUSION DETAILS

Vermont Agency of Transportation

**RECEIVED**  
 ON: June 30, 2014  
 and Checked for  
**CONFORMANCE**  
 BY: Jennifer Fitch DATE: 07/07/2014

**T.Y. LIN INTERNATIONAL**  
 THE STAMPED DOCUMENTS ARE HEREBY:  
 -X- APPROVED  
 \_\_\_\_\_ APPROVED AS NOTED  
 \_\_\_\_\_ REVISE AND RESUBMIT  
 SEE TRANSMITTAL FOR ADDITIONAL INFORMATION AS APPLICABLE.  
 THIS REVIEW IS FOR GENERAL CONFORMANCE WITH DESIGN CONCEPT ONLY. ANY DEVIATION FROM THE PLANS OR SPECIFICATIONS NOT CLEARLY NOTED BY THE CONTRACTOR HAS NOT BEEN REVIEWED. REVIEW BY THE ENGINEER SHALL NOT RELIEVE THE CONTRACTOR OF THE CONTRACTUAL RESPONSIBILITY FOR ANY ERRORS OR DEVIATION FROM THE CONTRACT REQUIREMENTS.  
 JOSH OLUND 07/03/2014  
 REVIEWER DATE