

DATE	6/25/14
DESCRIPTION	ADDED BOLT AREA LAMINATE NOTE
REV	1

SEAL

DIMENSIONS ARE IN INCHES
 TOLERANCES: +0, -1/16"
 FRACTIONAL +
 ANGULAR: MACH +
 TWO PLACE DECIMAL +
 THREE PLACE DECIMAL +

DRAWN BY	ML	DATE	6/4/14
CHKD BY	JM	DATE	6/4/14

PROJECT: BROOKFIELD FRP PONTOONS

CUSTOMER: MILLER CONST. / VTRANS

SHEET: HULL INFUSION LAYOUT AND DETAILS

WEIGHT: N/A

DESCRIPTION: FABRICATION

SCALE: 1 : 60

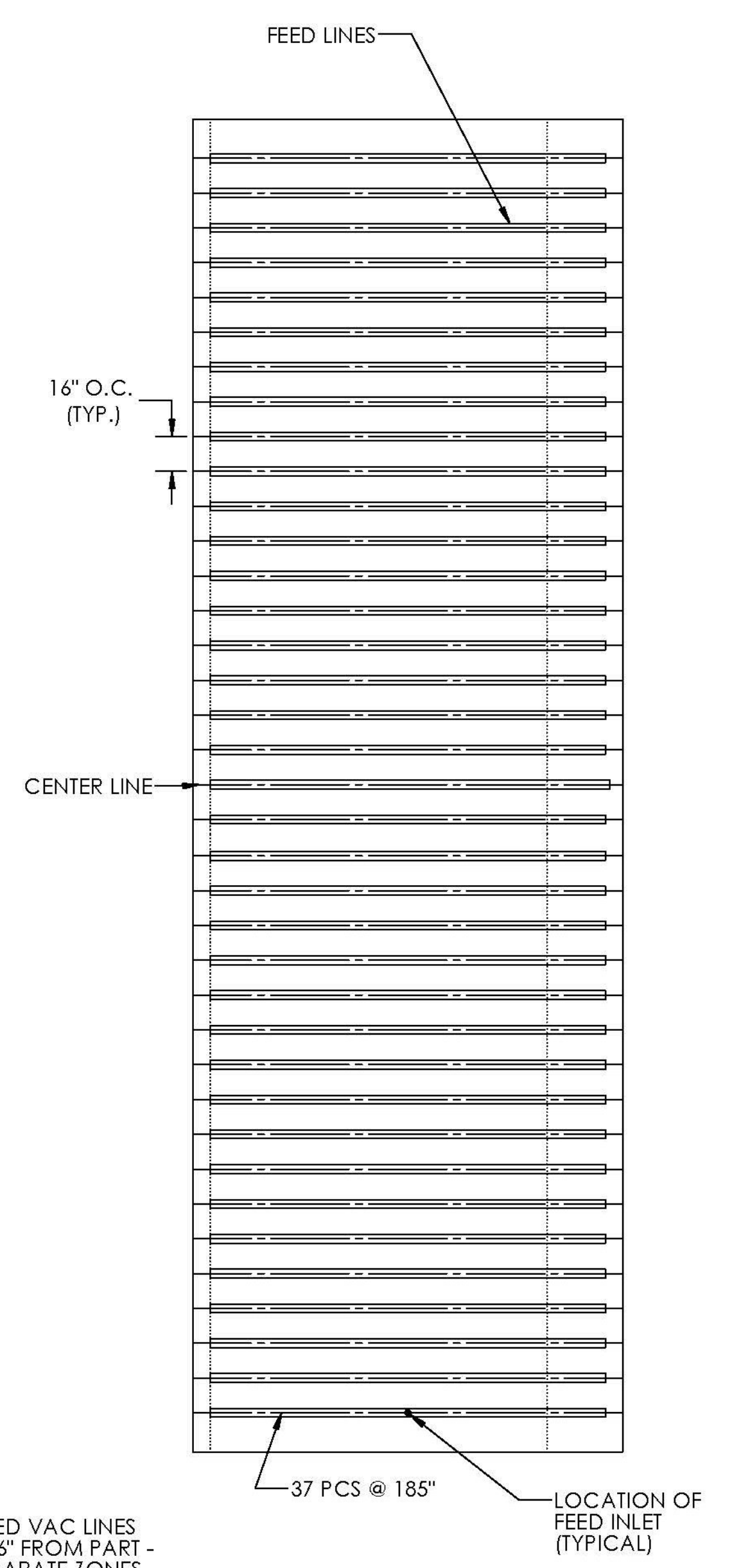
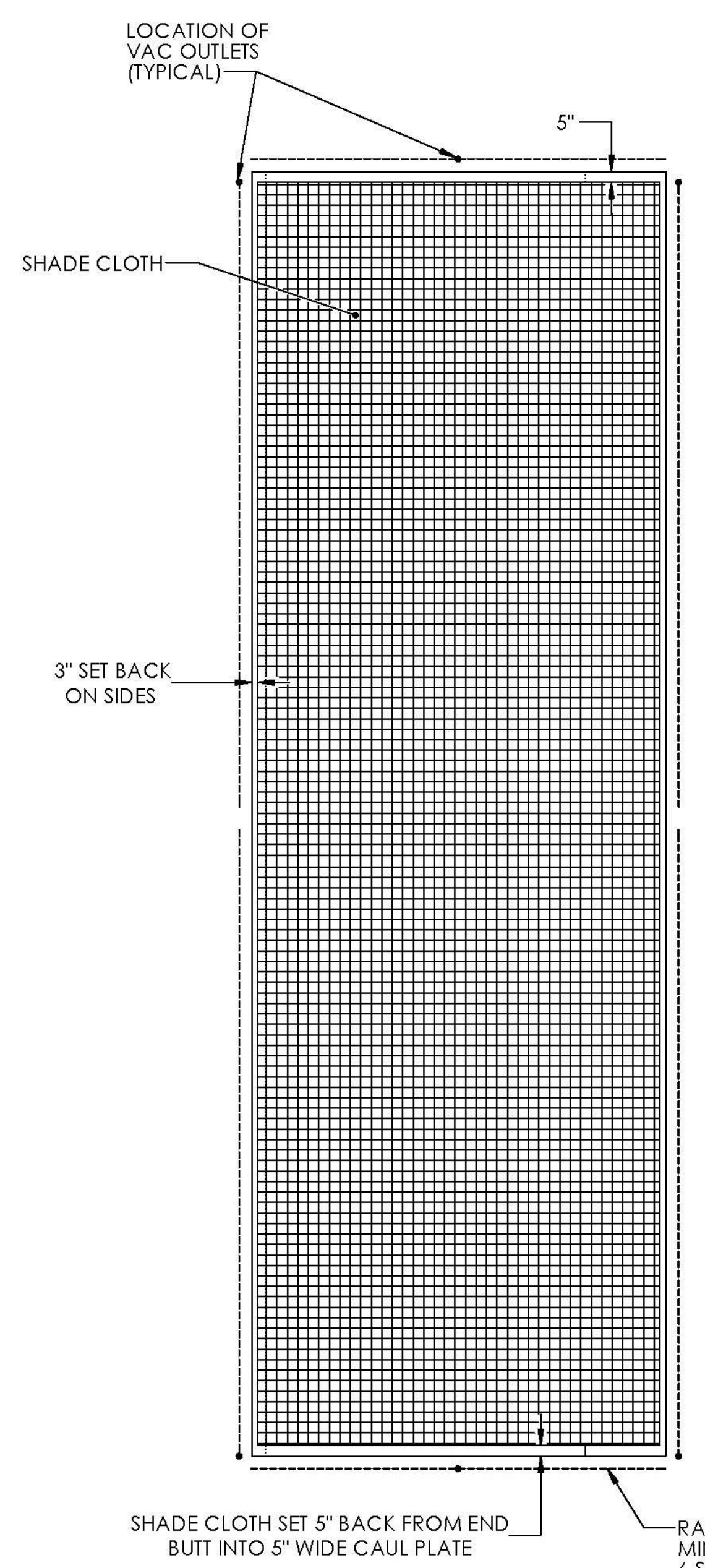
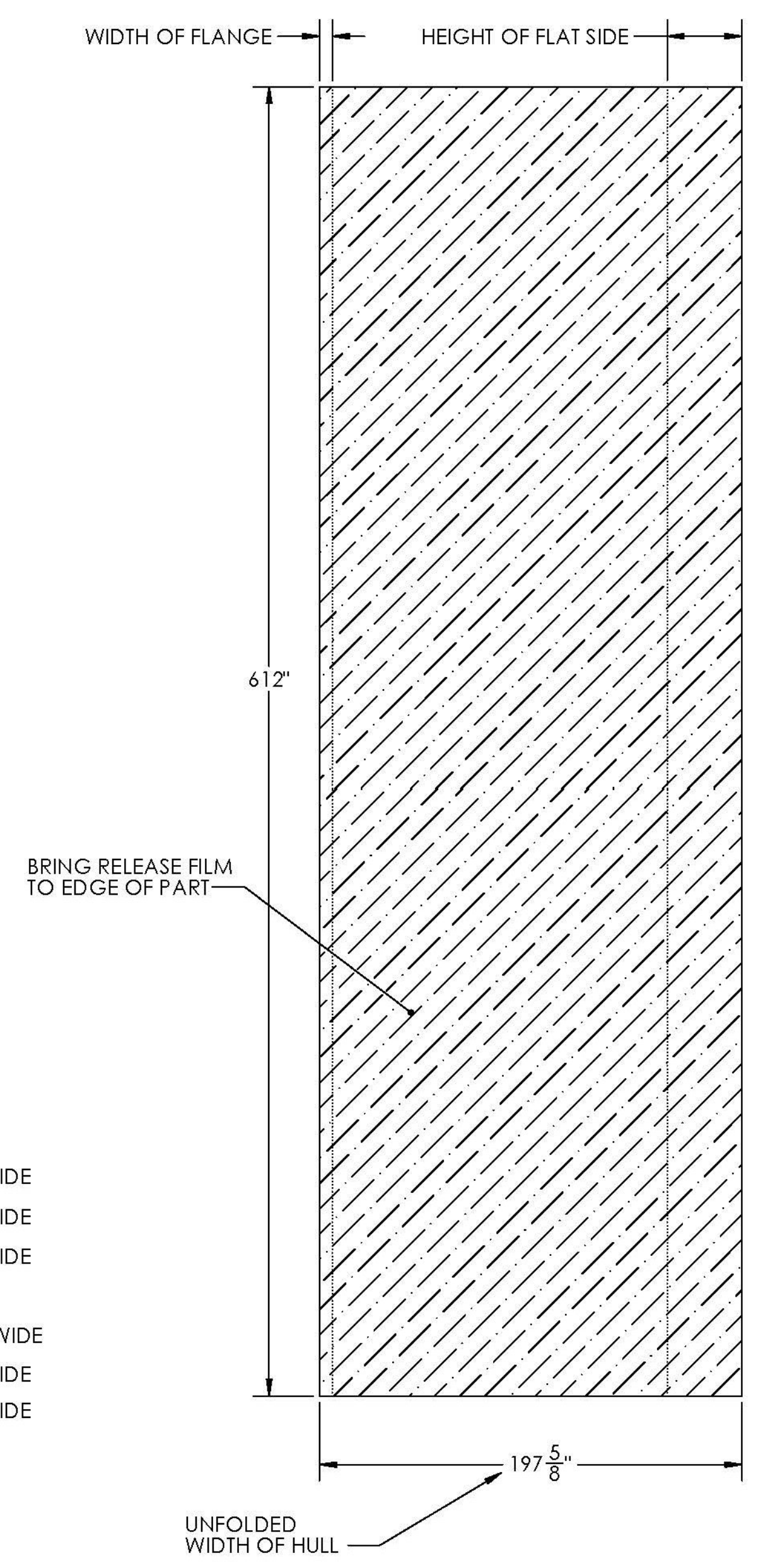
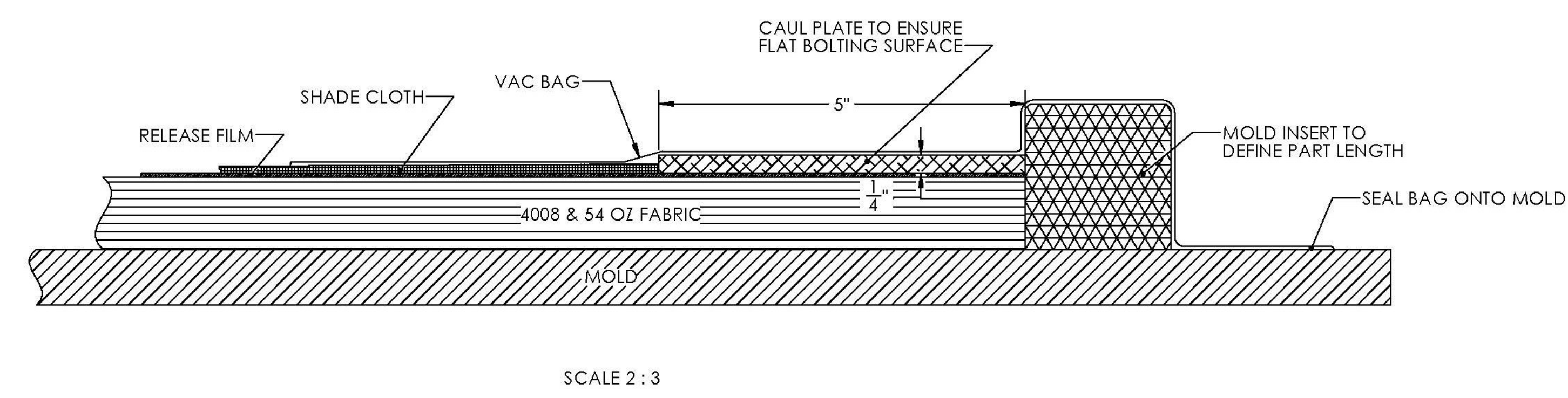
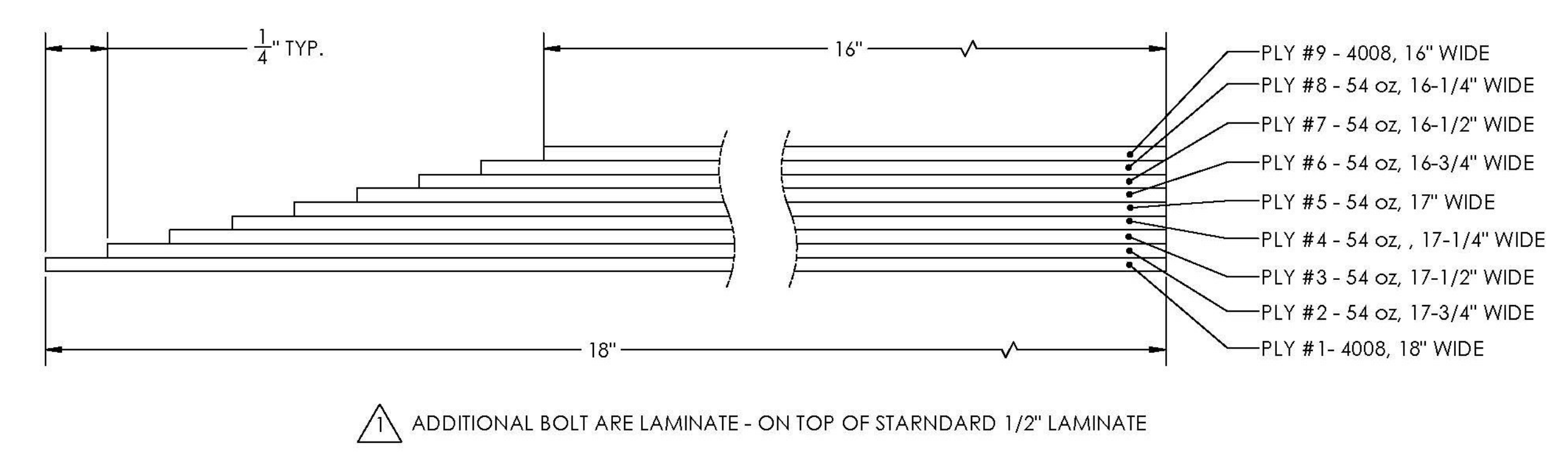
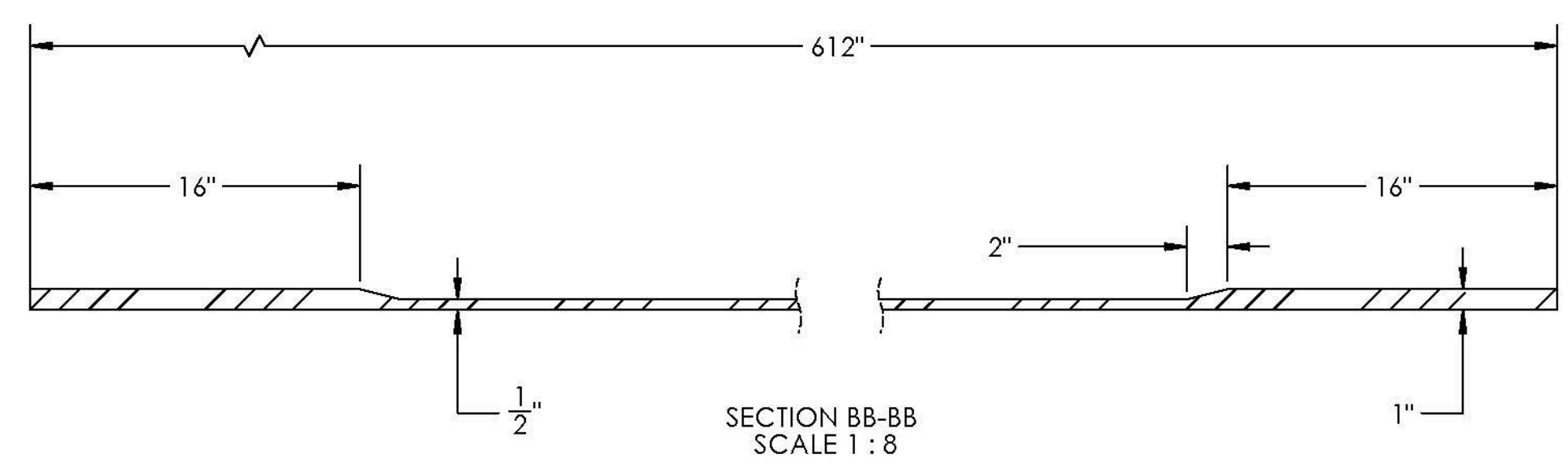
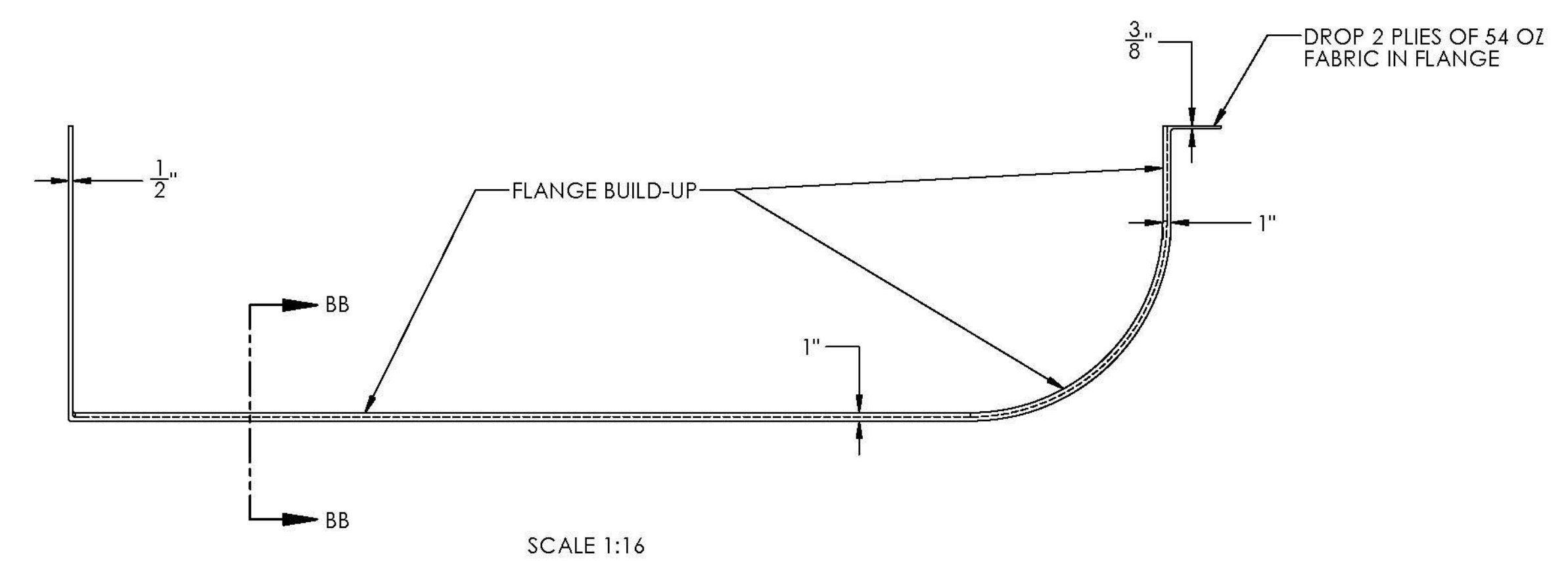
WO NO. 8420

CONTRACT NO. 9185

DWG NO. 8420-6

SHEET 6 OF 16

PONTOON PART NO. 1-10



SHADE CLOTH & VAC LINES

FEED LINES

INFUSION SET-UP DETAILS

Vermont Agency of Transportation

RECEIVED

ON: **June 30, 2014**

and Checked for

CONFORMANCE

BY: **Jennifer Fitch** DATE: **07/07/2014**

T.Y. LIN INTERNATIONAL

THE STAMPED DOCUMENTS ARE HEREBY:

APPROVED

APPROVED AS NOTED

REVISE AND RESUBMIT

SEE TRANSMITTAL FOR ADDITIONAL INFORMATION AS APPLICABLE.

THIS REVIEW IS FOR GENERAL CONFORMANCE WITH DESIGN CONCEPT ONLY. ANY DEVIATION FROM THE PLANS OR SPECIFICATIONS NOT CLEARLY NOTED BY THE CONTRACTOR HAS NOT BEEN REVIEWED. REVIEW BY THE ENGINEER SHALL NOT RELIEVE THE CONTRACTOR OF THE CONTRACTUAL RESPONSIBILITY FOR ANY ERRORS OR DEVIATION FROM THE CONTRACT REQUIREMENTS.

JOSH OLUND 07/03/2014
 REVIEWER DATE