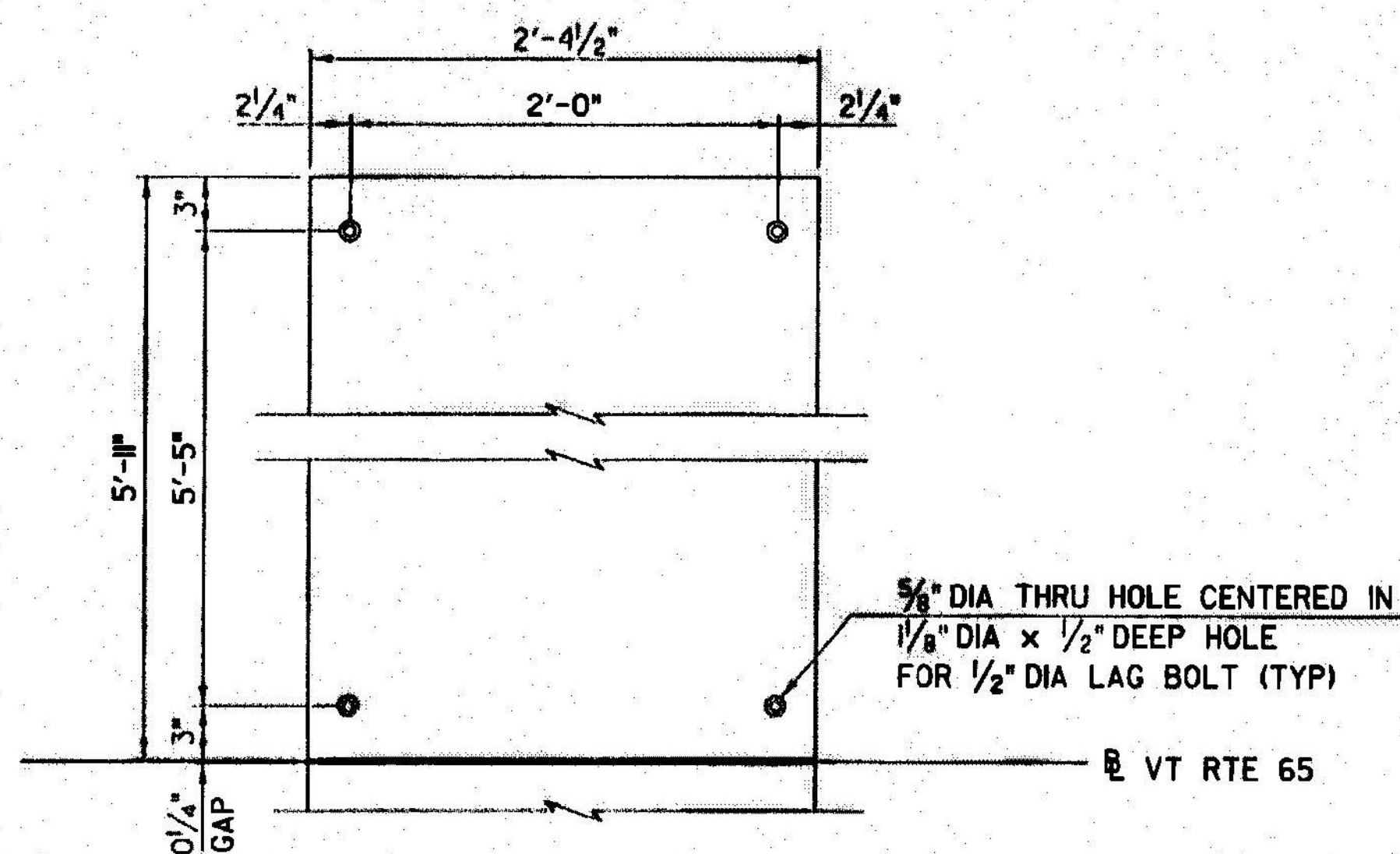
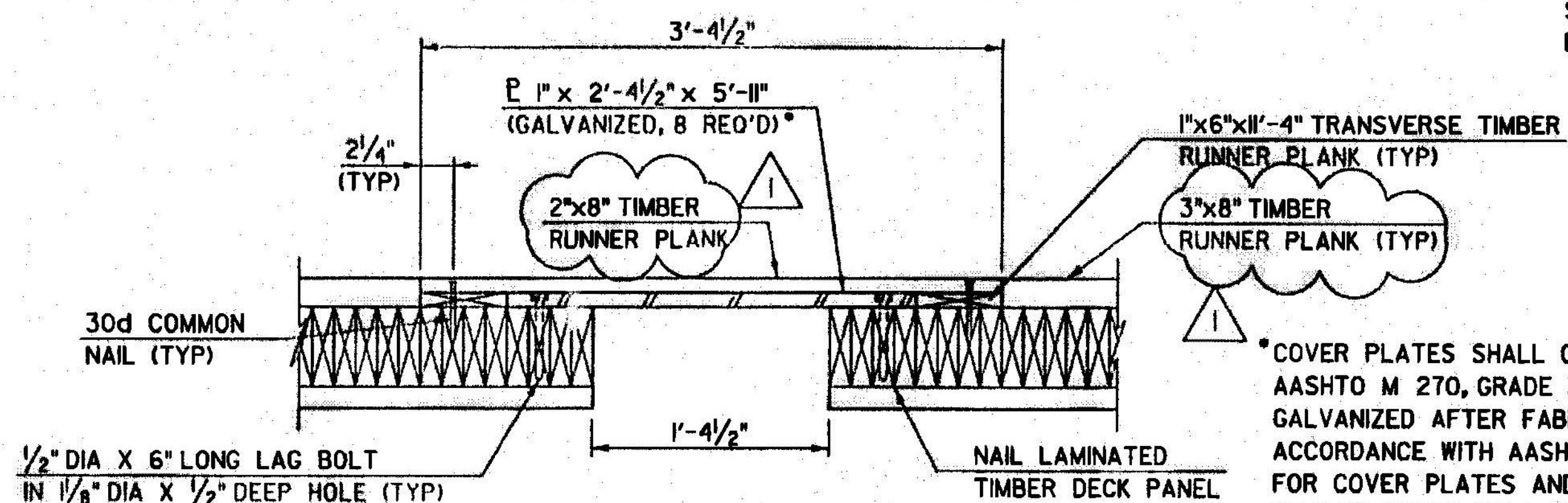


NOTE: TIMBER RUNNER PLANK NAILS SHALL BE CENTERED ON NAIL LAMINATED DECK PANEL LAMINATES.

RUNNER PLANK ATTACHMENT DETAIL - PLAN
SCALE: 1" = 1'-0"

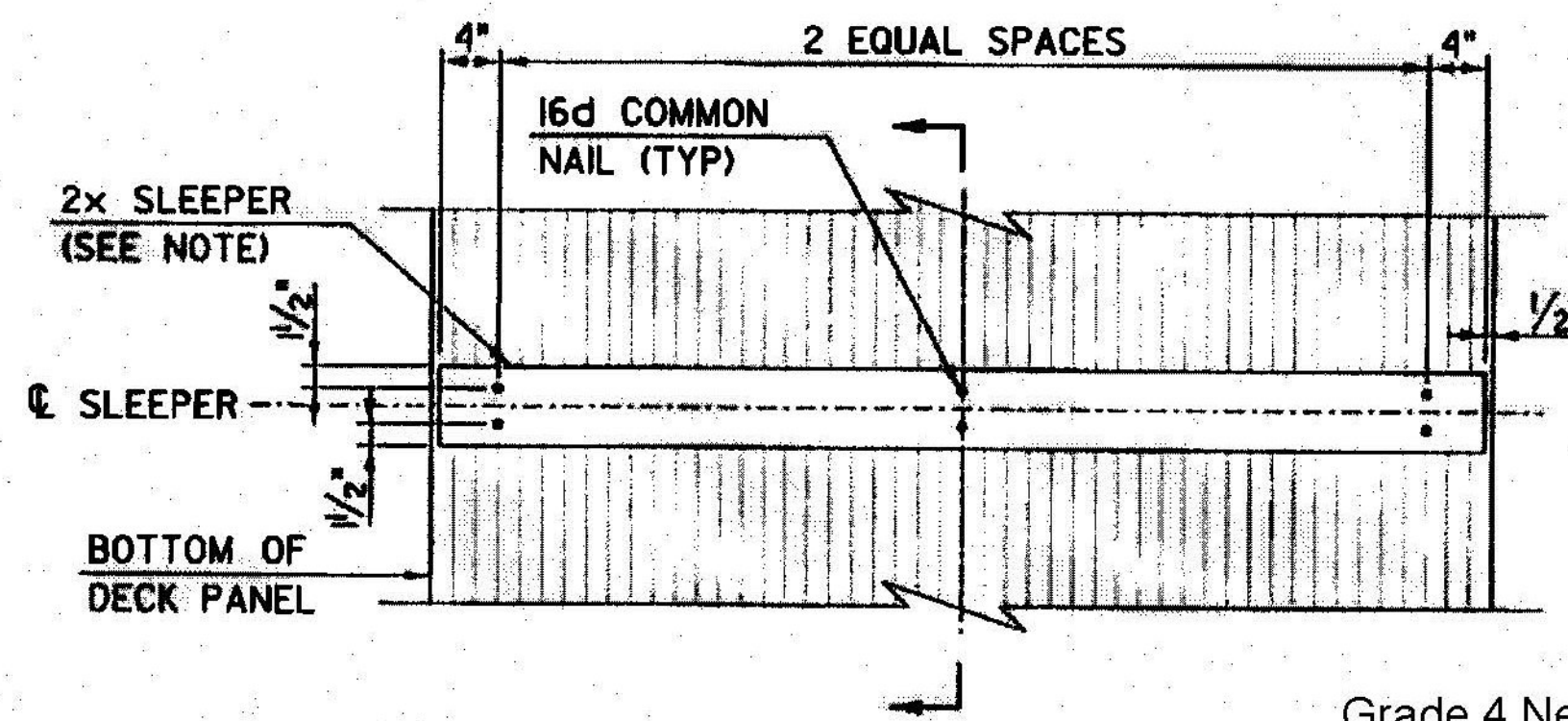


STEEL COVER PLATE PLAN OVER RAFT FIELD SPLICE LOCATIONS
SCALE: 1/2" = 1'-0"



TIMBER RUNNER PLANK AND STEEL COVER PLATE DETAIL OVER RAFT FIELD SPLICES
SCALE: 1/2" = 1'-0"

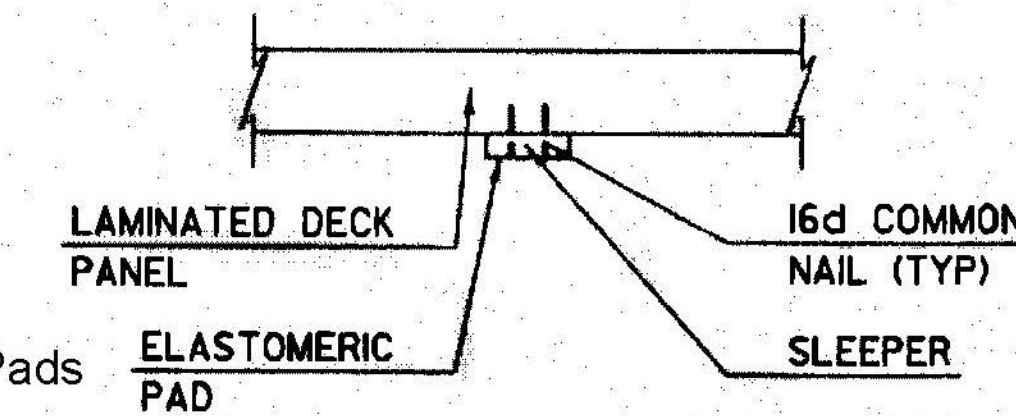
* COVER PLATES SHALL CONFORM TO AASHTO M 270, GRADE 36 AND SHALL BE GALVANIZED AFTER FABRICATION IN ACCORDANCE WITH AASHTO M III. COSTS FOR COVER PLATES AND HARDWARE SHALL BE PAID UNDER ITEM 900.670, "SPECIAL PROVISION (NAIL LAMINATED TIMBER DECK PANEL)".



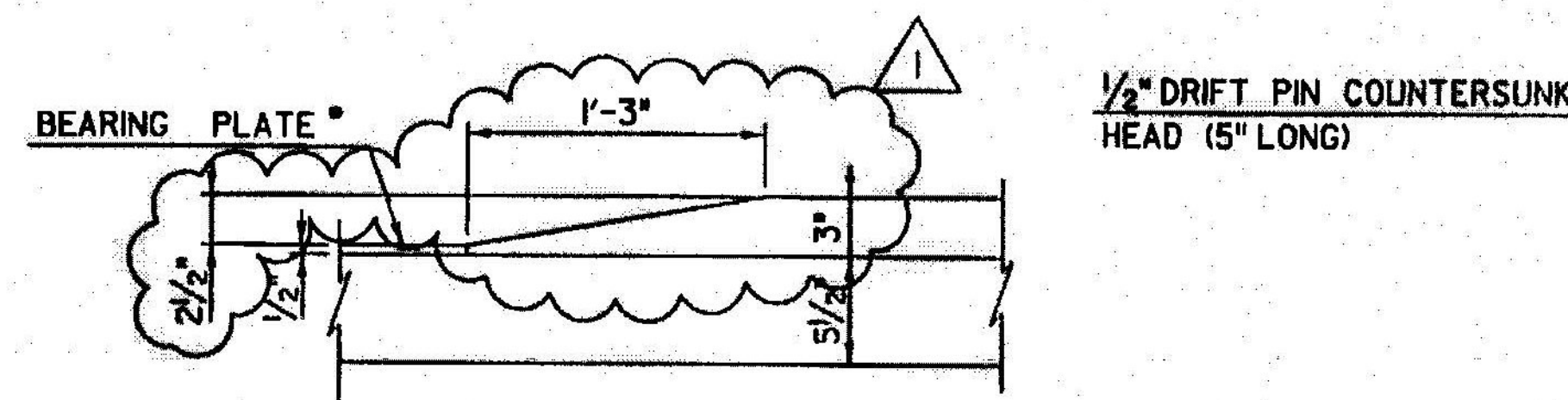
SLEEPER DETAIL - PLAN
SCALE: 1" = 1'-0"

NOTE:

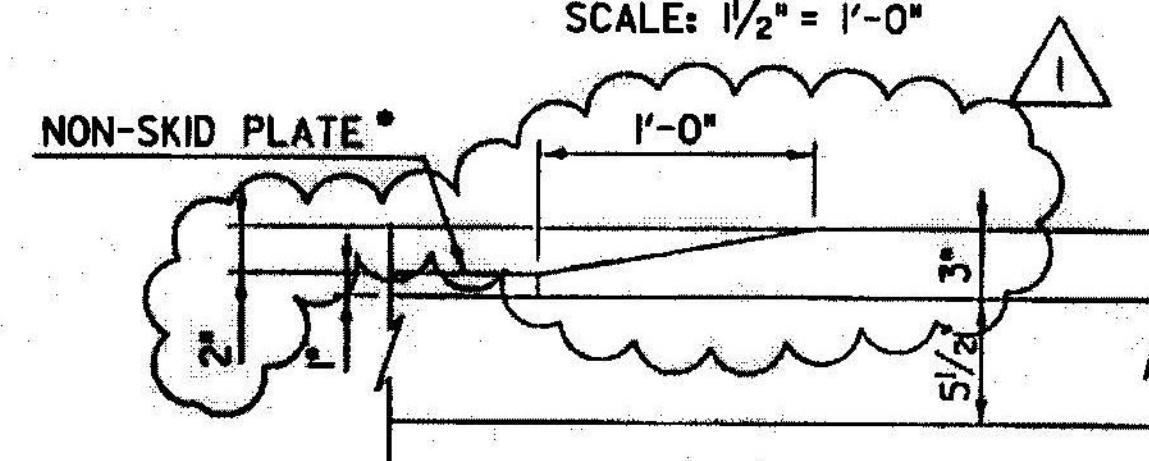
1. 1/8" THICK ELASTOMERIC PADS CONFORMING TO THE LENGTH AND WIDTH OF THE SLEEPER SHALL BE PLACED BENEATH THE SLEEPERS AND ATTACHED TO THE SLEEPERS WITH THE SAME NAILS USED TO ATTACH THE SLEEPER TO THE DECK.



SECTION
SCALE: 1" = 1'-0"

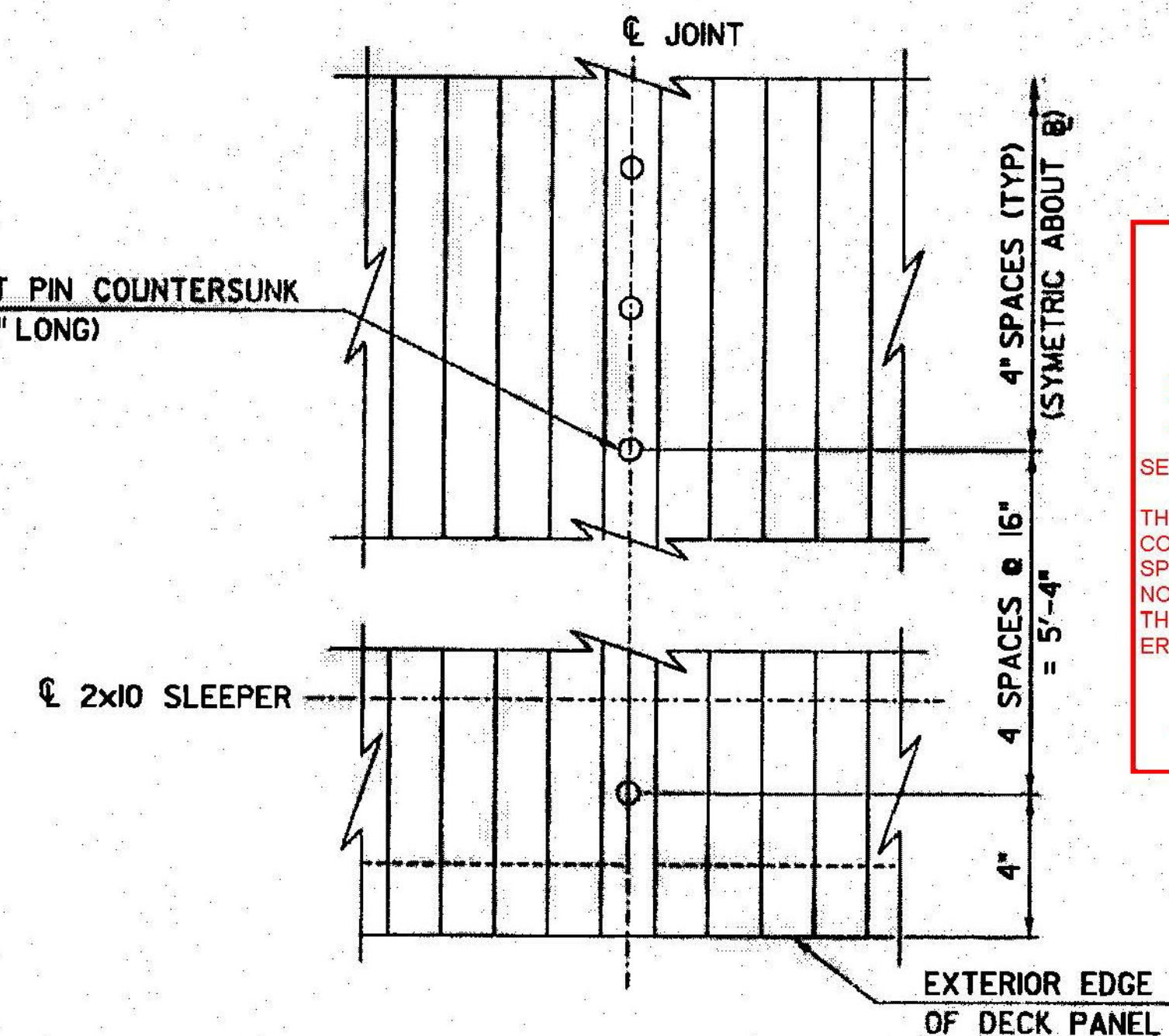


TIMBER RUNNER PLANK BEVEL DETAIL 1
SCALE: 1/2" = 1'-0"

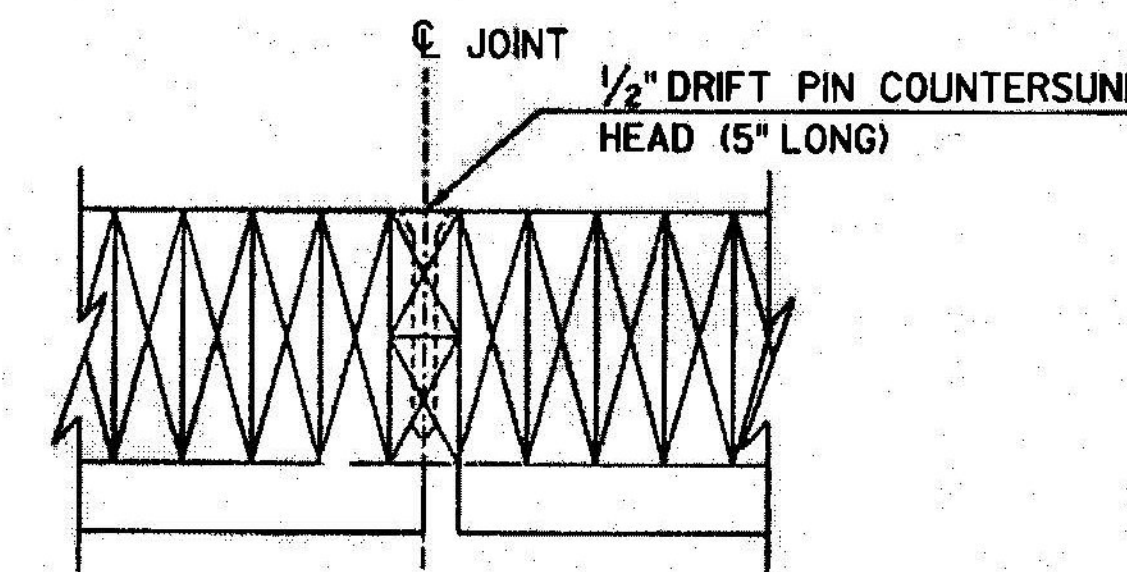


TIMBER RUNNER PLANK BEVEL DETAIL 2
SCALE: 1/2" = 1'-0"

* NON-SKID AND BEARING PLATES ARE COMPONENTS OF THE SPECIAL PROVISION (EXPANSION DEVICE, HINGED SLIDING PLATE ASSEMBLY). SEE SHEET 51 FOR LOCATION AND DETAILS.



SHIP-LAP DETAIL - PLAN
SCALE: 3" = 1'-0"



SHIP-LAP DETAIL - SECTION
SCALE: 3" = 1'-0"

T.Y. LIN INTERNATIONAL

THE STAMPED DOCUMENTS ARE HEREBY:

- APPROVED
- APPROVED AS NOTED
- REVISE AND RESUBMIT

SEE TRANSMITTAL FOR ADDITIONAL INFORMATION AS APPLICABLE.

THIS REVIEW IS FOR GENERAL CONFORMANCE WITH DESIGN CONCEPT ONLY. ANY DEVIATION FROM THE PLANS OR SPECIFICATIONS NOT CLEARLY NOTED BY THE CONTRACTOR HAS NOT BEEN REVIEWED. REVIEW BY THE ENGINEER SHALL NOT RELIEVE THE CONTRACTOR OF THE CONTRACTUAL RESPONSIBILITY FOR ANY ERRORS OR DEVIATION FROM THE CONTRACT REQUIREMENTS.

Tim Poulin 08/07/2014
REVIEWER DATE

Vermont Agency of Transportation
RECEIVED
ON: July 17, 2014
and Checked for
CONFORMANCE
BY: Jennifer Fitch DATE: 8/8/2014

REVISION	DESCRIPTION	DATE
REVISION #1	RUNNER PLANK THICKNESS CHANGE	2/4/2014

PROJECT NAME: BROOKFIELD
PROJECT NUMBER: BRFLBR(2)