

7/8" DIA. S.S. HEX NUT
ASTM F594 ALLOY GROUP 2,
CONDITION CW

7/8" DIA. S.S. WASHER
TYPE 316 STAINLESS STEEL

T.Y. LIN INTERNATIONAL
THE STAMPED DOCUMENTS ARE HEREBY:

X APPROVED
— APPROVED AS NOTED
— REVISE AND RESUBMIT

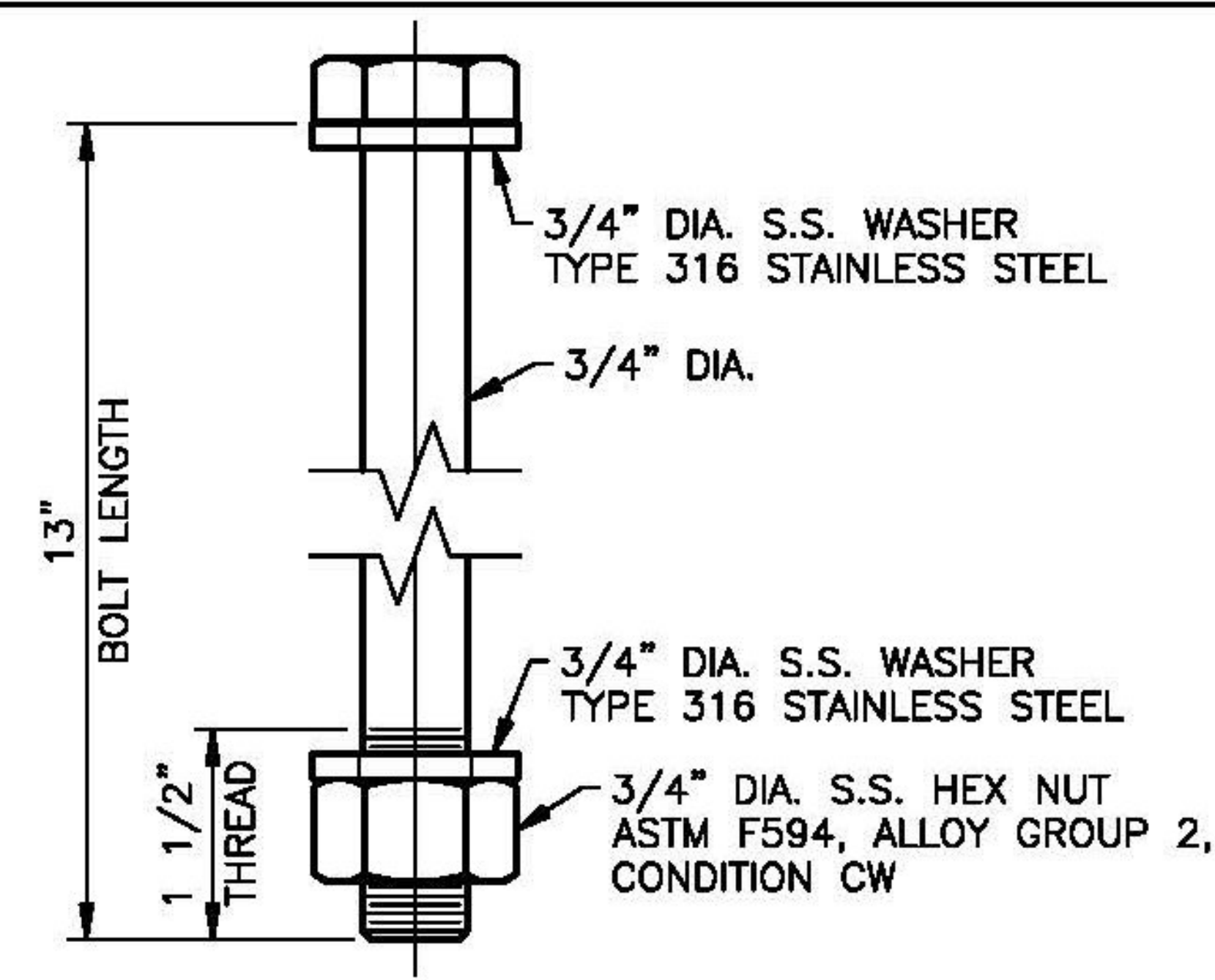
SEE TRANSMITTAL FOR ADDITIONAL INFORMATION AS APPLICABLE.

THIS REVIEW IS FOR GENERAL CONFORMANCE WITH DESIGN CONCEPT ONLY. ANY DEVIATION FROM THE PLANS OR SPECIFICATIONS NOT CLEARLY NOTED BY THE CONTRACTOR HAS NOT BEEN REVIEWED. REVIEW BY THE ENGINEER SHALL NOT RELIEVE THE CONTRACTOR OF THE CONTRACTUAL RESPONSIBILITY FOR ANY ERRORS OR DEVIATION FROM THE CONTRACT REQUIREMENTS.

JOSH OLUND 06/17/2014
REVIEWER DATE

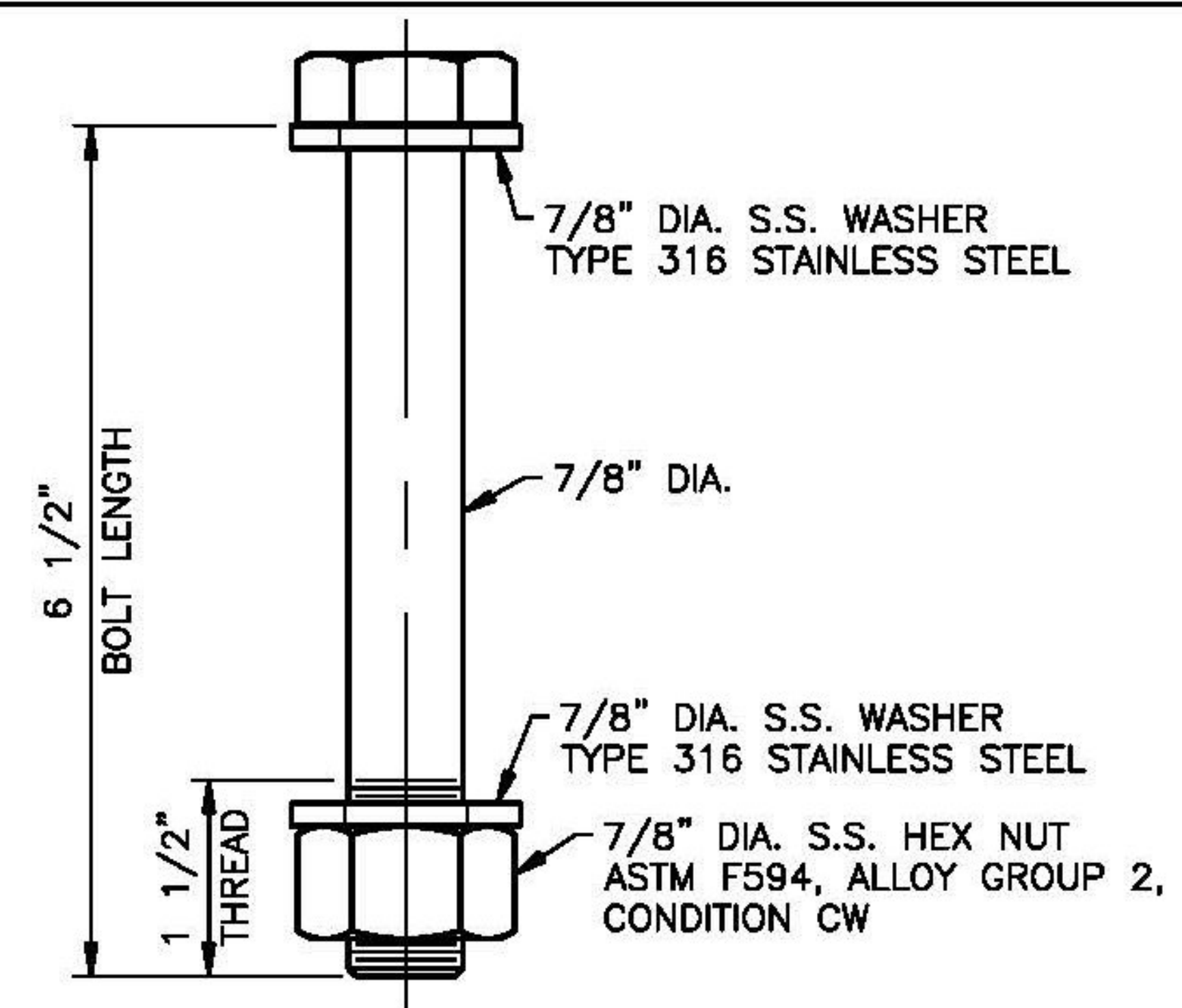
S.S. SWEDGE ANCHOR BOLT ASSEMBLY
MARK: AB1

ROD: 7/8" DIA. x 18" LONG
ASTM F593, ALLOY GROUP 2, CONDITION CW
(32) LOCATED @ ABUTMENT 1
(32) LOCATED @ ABUTMENT 2
(64) REQUIRED



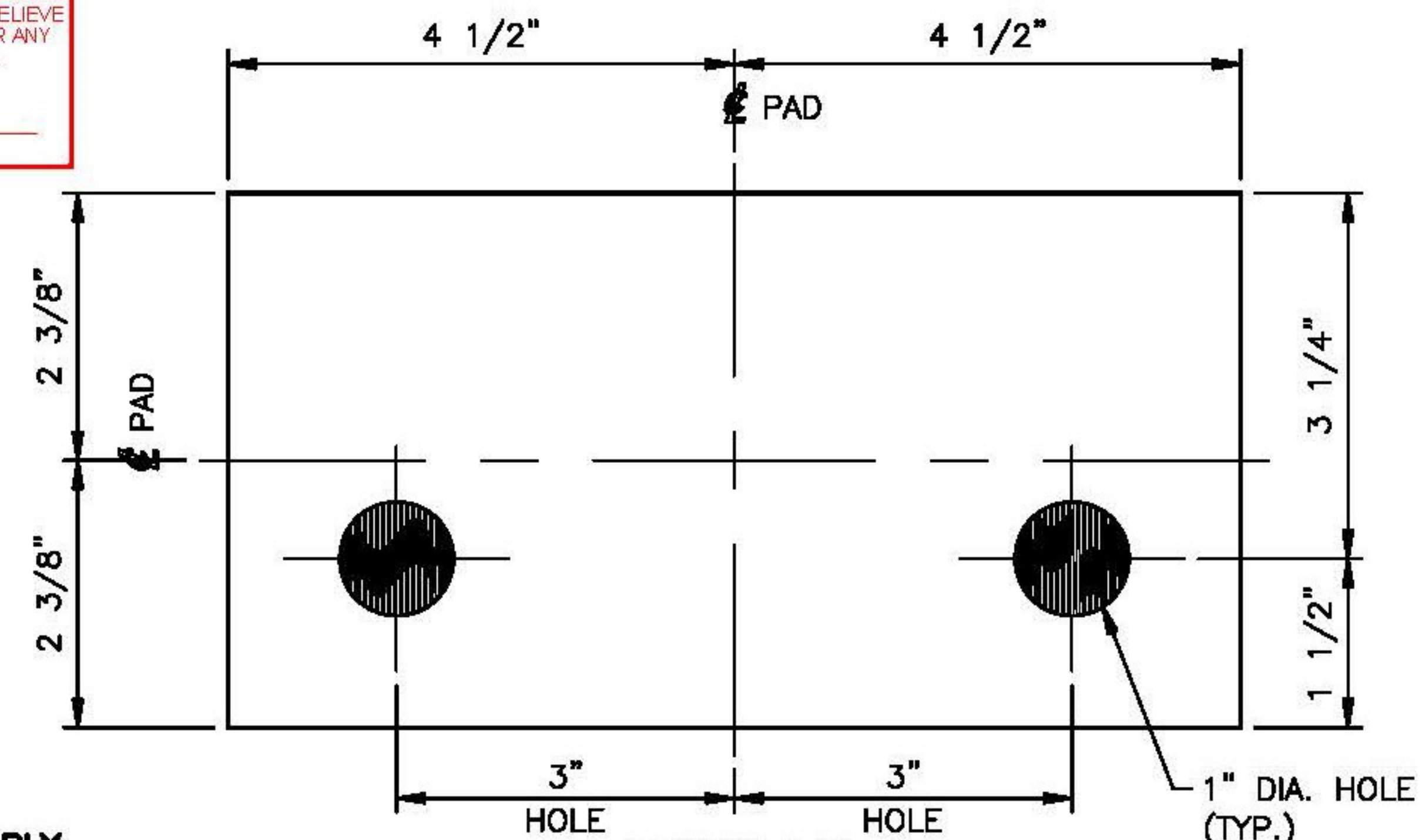
S.S. CONNECTION BOLT ASSEMBLY
MARK: CB1

3/4" DIA. x 13" LONG
ASTM F593, ALLOY GROUP 2, CONDITION CW
(64) LOCATED @ ABUTMENT 1
(64) LOCATED @ WEST FLOATING SPAN LEDGE
(64) LOCATED @ ABUTMENT 2
(64) LOCATED @ EAST FLOATING SPAN LEDGE
(256) REQUIRED



S.S. CONNECTION BOLT ASSEMBLY
MARK: CB2

7/8" DIA. x 6 1/2" LONG
ASTM F593, ALLOY GROUP 2, CONDITION CW
(32) LOCATED @ WEST FLOATING SPAN LEDGE
(32) LOCATED @ EAST FLOATING SPAN LEDGE
(64) REQUIRED



BEARING PAD
MARK: BP1

PAD 1/8" x 4 3/4" x 9"
MIL-C-882
(16) LOCATED @ ABUTMENT 1
(16) LOCATED @ ABUTMENT 2
(32) REQUIRED

Vermont Agency of Transportation
RECEIVED
ON: June 11, 2014
and Checked for
CONFORMANCE
BY: Jennifer Fitch DATE: 06/18/2014

SEE SHEET 1 FOR GENERAL NOTES
SEE SHEETS E1 THRU E3 FOR INSTALLATION DETAILS

STATE OF VERMONT
AGENCY OF TRANSPORTATION
VT ROUTE 65 (MINOR COLLECTOR)
BRIDGE NO. 2
TOWN OF BROOKFIELD

STATE	COUNTY	CONTROL NO.
VT	ORANGE	NA

PROJECT NO.: BRF FLBR(2)

COSMEC, INC.
STAINLESS STEEL BEARING ASSY.'S

Cosmec 1501 ROCKY RIDGE ROAD
P.O. BOX 2159
ATHENS, TEXAS 75751

SCALE: NONE	DRAWN BY: MH	CHECKED BY: SL
	DATE: 05/28/14	DATE: 05/08/14

SHEET 7 OF 7 JOB NO.: 12445

REV.	DESCRIPTION	BY	DATE	CHKD	DATE

CUSTOMER: MILLER CONSTRUCTION, INC. DRAWING NUMBER: 12445-D7 REV. 0