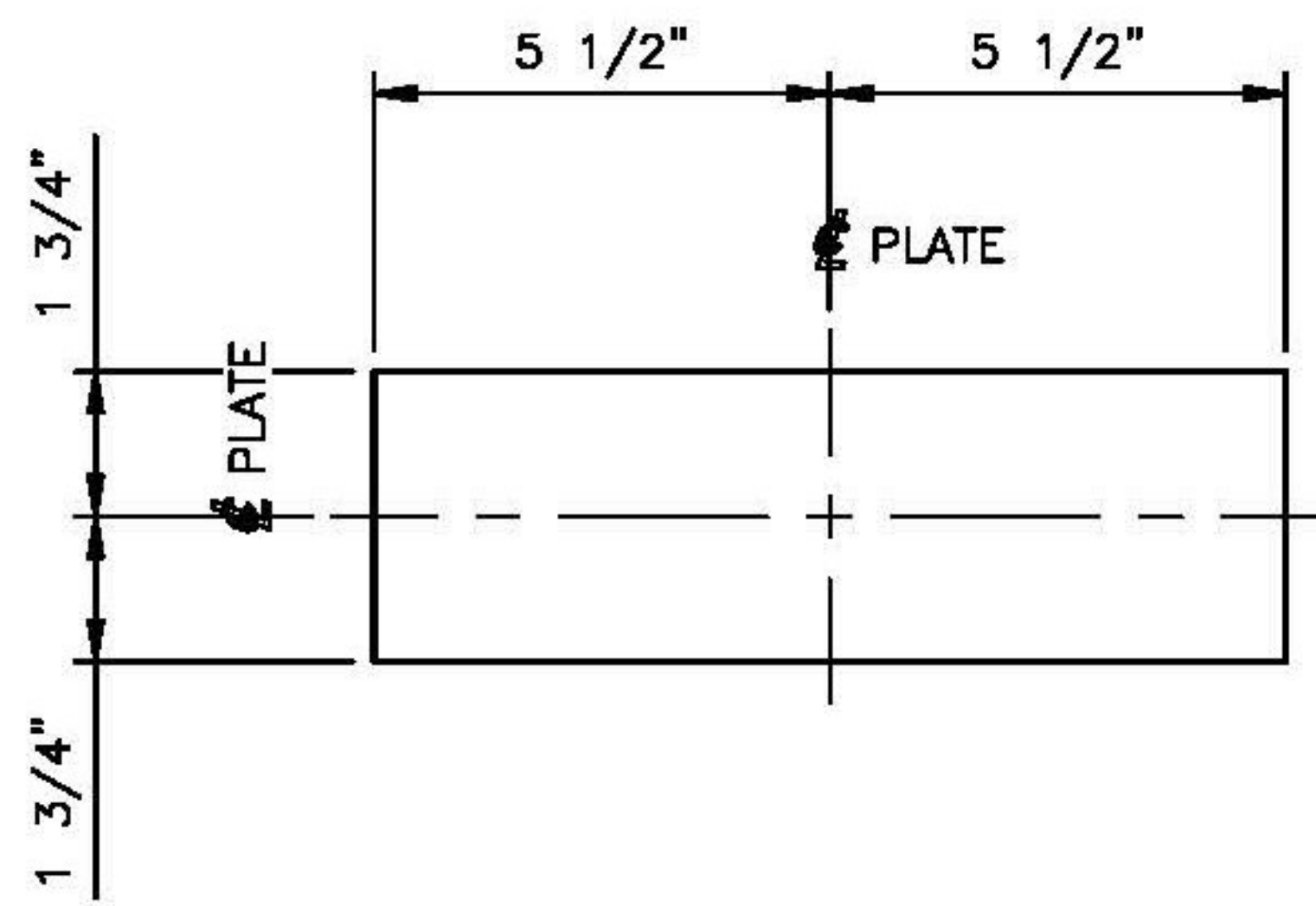
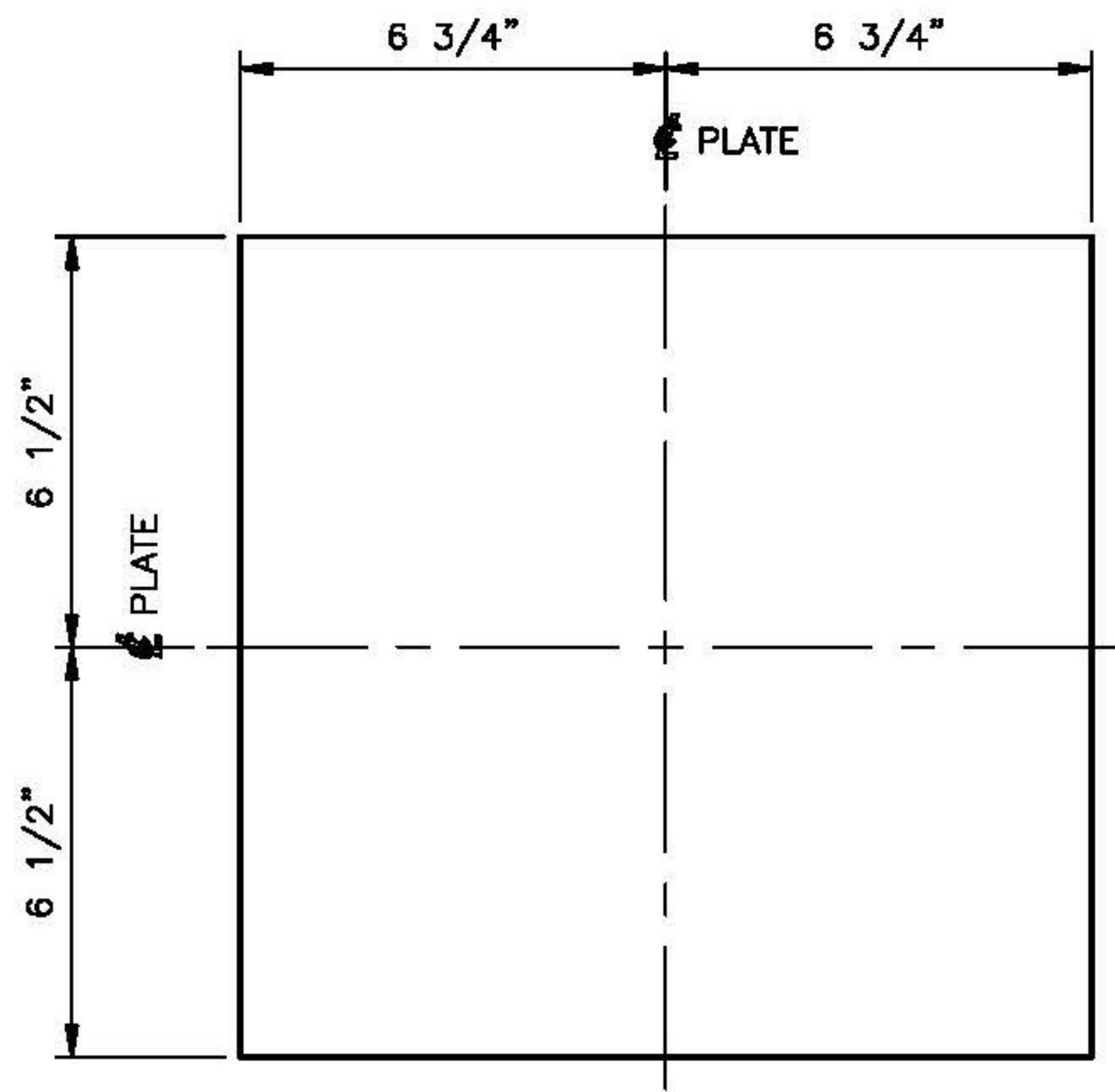


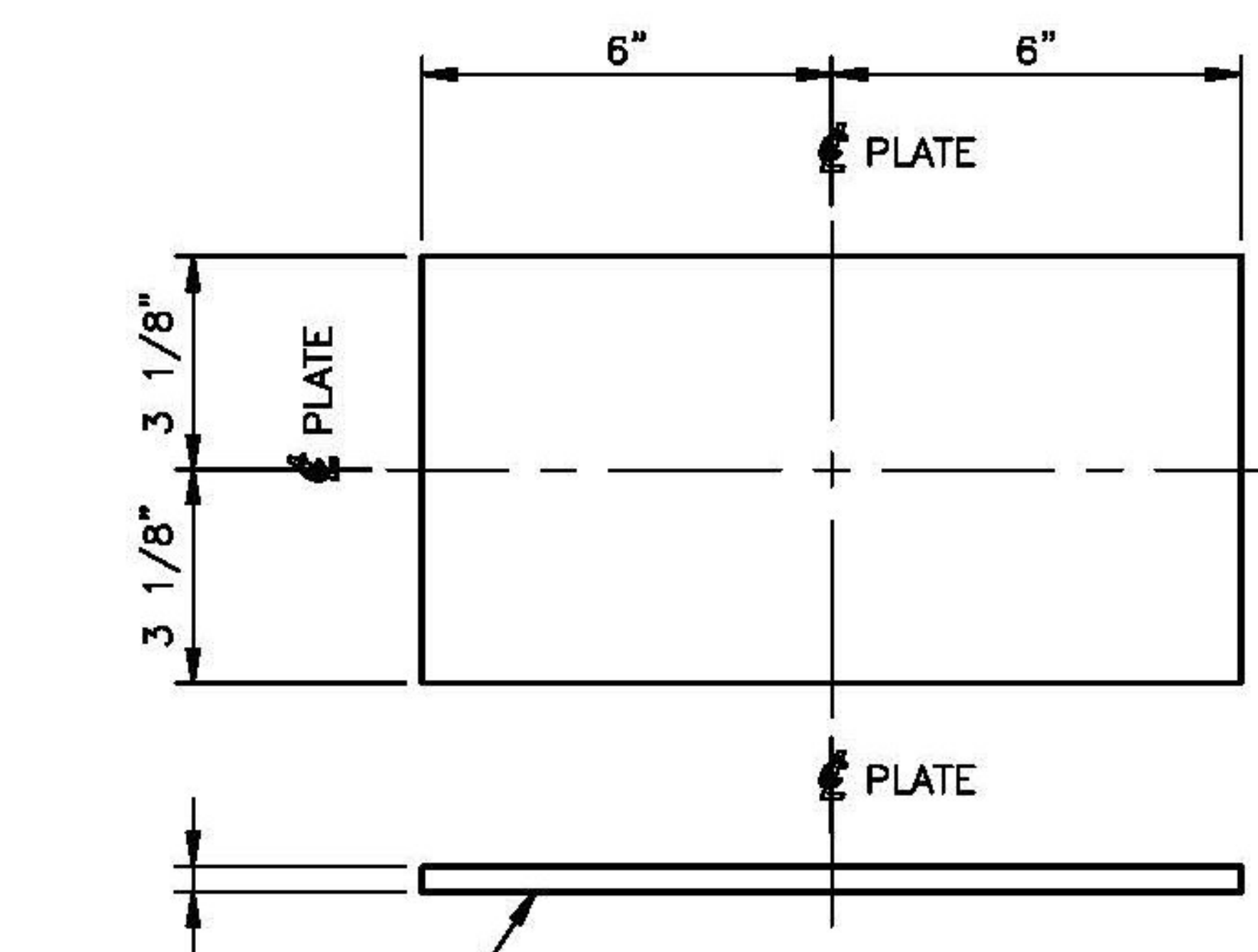
S.S. UPPER VERTICAL PLATE
 MARK: FUA1
 PL 1/2" x 5 1/2" x 13 1/2"
 ASTM A240 TYPE 304 (UNPAINTED)
 (32) REQUIRED



S.S. LOWER VERTICAL PLATE
 MARK: FUA1
 PL 1" x 3 1/2" x 11"
 ASTM A240 TYPE 304 (UNPAINTED)
 (32) REQUIRED



S.S. UPPER BASE PLATE
 MARK: FUA1
 PL 3/8" x 13" x 13 1/2"
 ASTM A240 TYPE 304 (UNPAINTED)
 (16) REQUIRED



S.S. LOWER BASE PLATE
 MARK: FUA1
 PL 3/8" x 6 1/4" x 12"
 ASTM A240 TYPE 304 (UNPAINTED)
 (16) REQUIRED

Vermont Agency of Transportation
RECEIVED
 ON: June 11, 2014
 and Checked for
CONFORMANCE
 BY: Jennifer Fitch DATE: 06/18/2014

T.Y. LIN INTERNATIONAL
 THE STAMPED DOCUMENTS ARE HEREBY:

APPROVED
 APPROVED AS NOTED
 REVISE AND RESUBMIT

SEE TRANSMITTAL FOR ADDITIONAL INFORMATION AS APPLICABLE.

THIS REVIEW IS FOR GENERAL CONFORMANCE WITH DESIGN CONCEPT ONLY. ANY DEVIATION FROM THE PLANS OR SPECIFICATIONS NOT CLEARLY NOTED BY THE CONTRACTOR HAS NOT BEEN REVIEWED. REVIEW BY THE ENGINEER SHALL NOT RELIEVE THE CONTRACTOR OF THE CONTRACTUAL RESPONSIBILITY FOR ANY ERRORS OR DEVIATION FROM THE CONTRACT REQUIREMENTS.

JOSH OLUND REVIEWER 06/17/2014 DATE

SEE SHEET 1 FOR GENERAL NOTES
 SEE SHEET 3 FOR ASSEMBLY DETAILS

STATE OF VERMONT
 AGENCY OF TRANSPORTATION
 VT ROUTE 65 (MINOR COLLECTOR)
 BRIDGE NO. 2
 TOWN OF BROOKFIELD

STATE	COUNTY	CONTROL NO.
VT	ORANGE	NA

PROJECT NO.: BRF FLBR(2)

COSMEC, INC.
 STAINLESS STEEL BEARING ASSY.'S

Cosmec 1501 ROCKY RIDGE ROAD
 P.O. BOX 2159
 ATHENS, TEXAS 75751

SCALE: NONE	DRAWN BY: MH	CHECKED BY: SL
	DATE: 05/28/14	DATE: 05/08/14

SHEET 4 OF 7 **JOB NO.: 12445**

REV.	DESCRIPTION	BY	DATE	CHKD	DATE

CUSTOMER: MILLER CONSTRUCTION, INC. DRAWING NUMBER: 12445-D4 REV: 0