

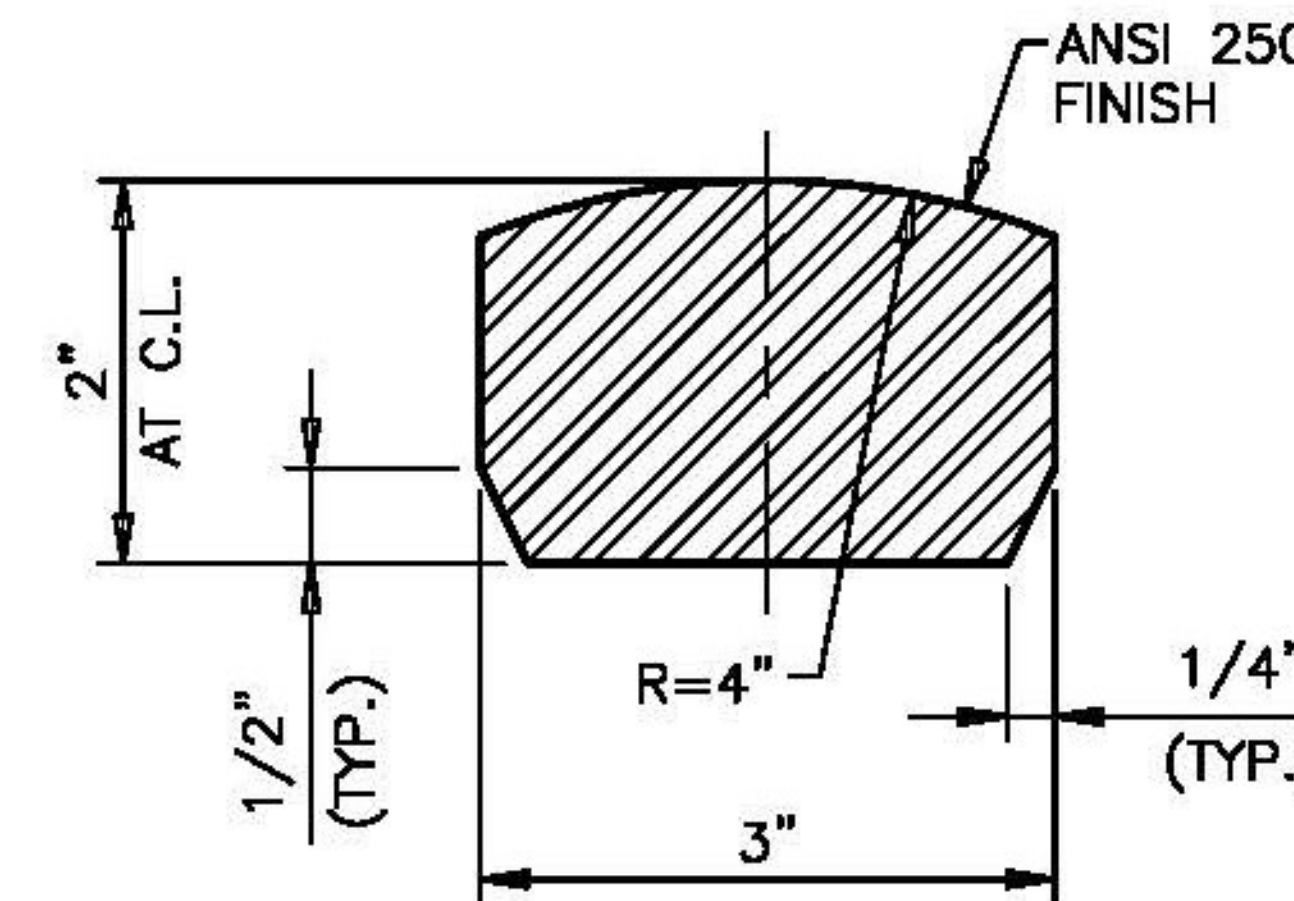
PLAN VIEW

FRONT VIEW

**S.S. BEARING ROD ASSEMBLY
MARK: BRAZ**

- (8) LOCATED Ⓞ WEST FLOATING SPAN LEDGE
- (8) LOCATED Ⓞ EAST FLOATING SPAN LEDGE
- (16) REQUIRED

Vermont Agency of Transportation
RECEIVED
 ON: June 11, 2014
 and Checked for
CONFORMANCE
 BY: Jennifer Fitch DATE: 06/18/2014



SECTION A-A
 BEARING ROD
 ASTM A240 TYPE 304
 PL 2" AT C.L. x 13 1/4" x 3
 (16) REQUIRED

T.Y. LIN INTERNATIONAL

THE STAMPED DOCUMENTS ARE HEREBY:

- X- APPROVED
- APPROVED AS NOTED
- REVISE AND RESUBMIT

SEE TRANSMITTAL FOR ADDITIONAL INFORMATION AS APPLICABLE.

THIS REVIEW IS FOR GENERAL CONFORMANCE WITH DESIGN CONCEPT ONLY. ANY DEVIATION FROM THE PLANS OR SPECIFICATIONS NOT CLEARLY NOTED BY THE CONTRACTOR HAS NOT BEEN REVIEWED. REVIEW BY THE ENGINEER SHALL NOT RELIEVE THE CONTRACTOR OF THE CONTRACTUAL RESPONSIBILITY FOR ANY ERRORS OR DEVIATION FROM THE CONTRACT REQUIREMENTS.

JOSH OLUND 06/17/2014
 REVIEWER DATE

SEE SHEET 1
 FOR GENERAL NOTES
 STATE OF VERMONT
 AGENCY OF TRANSPORTATION
 VT ROUTE 65 (MINOR COLLECTOR)
 BRIDGE NO. 2
 TOWN OF BROOKFIELD

STATE	COUNTY	CONTROL NO.
VT	ORANGE	NA

PROJECT NO.: BRF FLBR(2)

COSMEC, INC.
STAINLESS STEEL BEARING ASSY.'S

Cosmec 1501 ROCKY RIDGE ROAD
 P.O. BOX 2159
 ATHENS, TEXAS 75751

SCALE: NONE	DRAWN BY: MH	CHECKED BY: SL
	DATE: 05/28/14	DATE: 05/08/14

SHEET 2 OF 7 **JOB NO.: 12445**

REV.	DESCRIPTION	BY	DATE	CHKD	DATE

CUSTOMER: MILLER CONSTRUCTION, INC. DRAWING NUMBER: 12445-D2 REV: 0