

Vermont Agency of Transportation

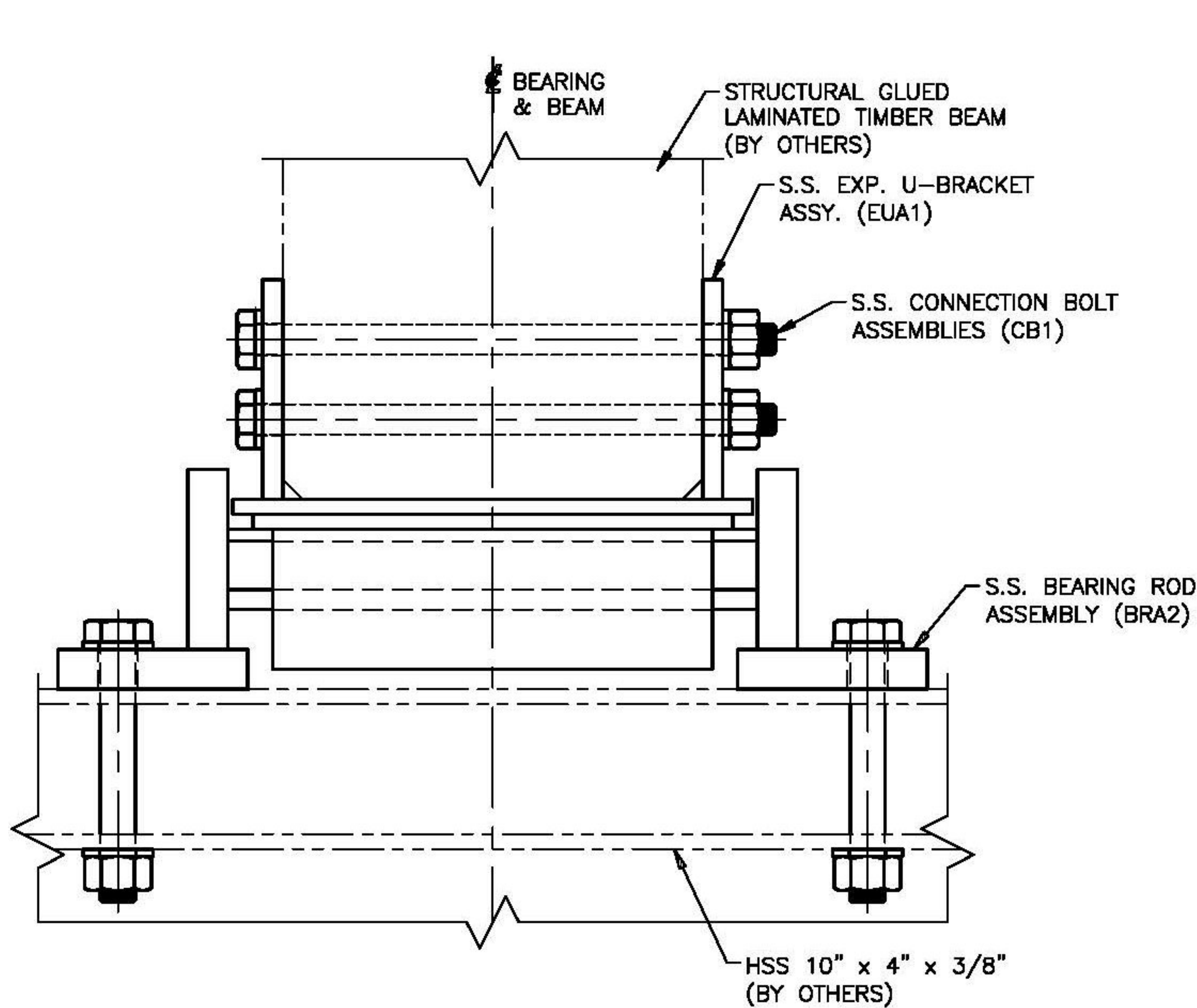
RECEIVED

ON: June 11, 2014

and Checked for

CONFORMANCE

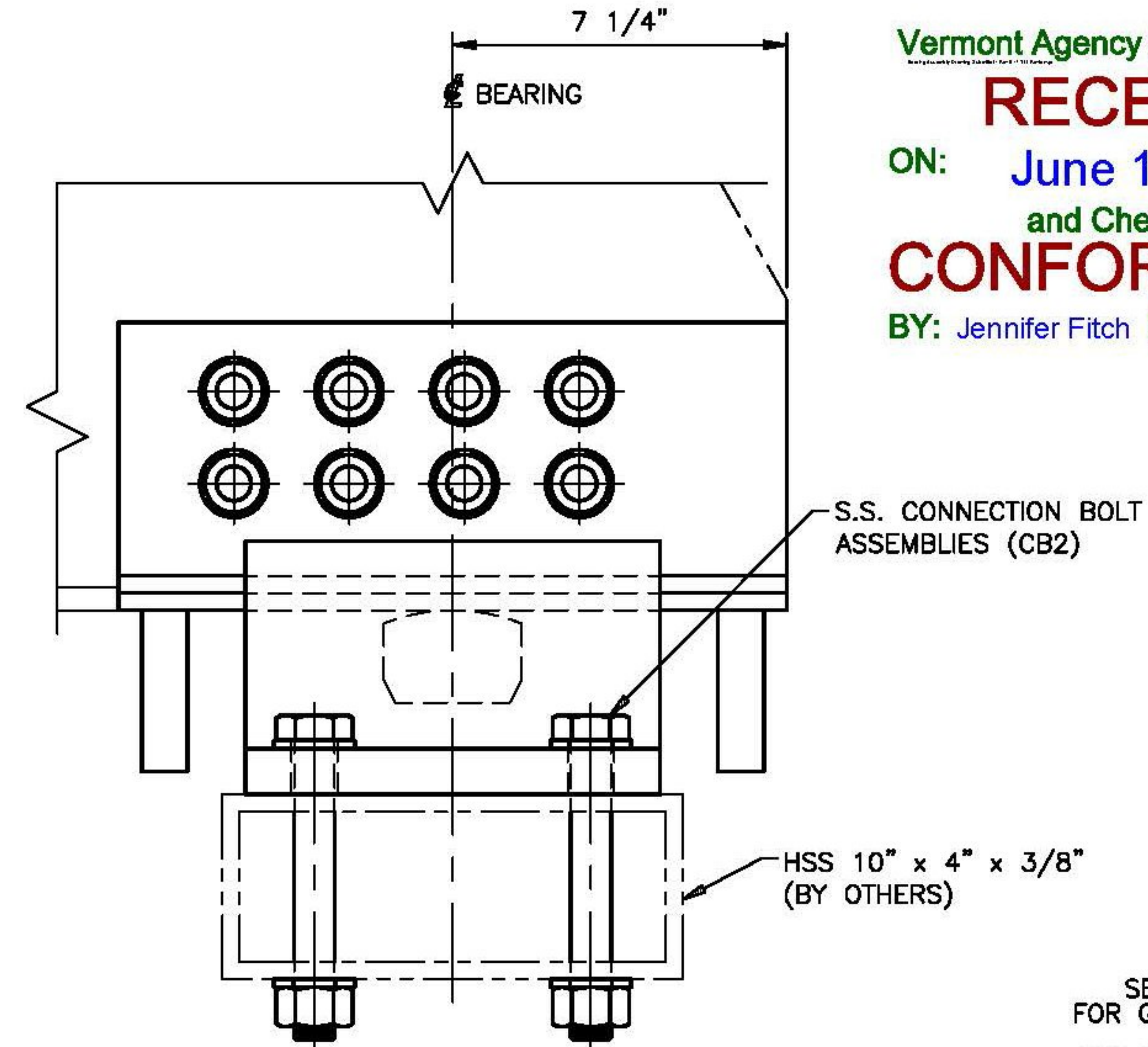
BY: Jennifer Fitch DATE: 06/18/2014



FRONT VIEW

EXPANSION BEARING ASSEMBLY INSTALLATION DIAGRAM

- (8) LOCATED @ WEST FLOATING SPAN LEDGE
- (8) LOCATED @ EAST FLOATING SPAN LEDGE
- (16) REQUIRED



FRONT VIEW

SEE SHEET 1
FOR GENERAL NOTES
SEE SHEETS 2 & 5
FOR ASSEMBLY DETAILS
SEE SHEET 6
FOR COMPONENT DETAILS
SEE SHEET 7
FOR CONNECTION BOLT DETAILS

STATE OF VERMONT
AGENCY OF TRANSPORTATION
VT ROUTE 65 (MINOR COLLECTOR)
BRIDGE NO. 2
TOWN OF BROOKFIELD

STATE	COUNTY	CONTROL NO.
VT	ORANGE	NA

PROJECT NO.: BRF FLBR(2)

COSMEC, INC.
STAINLESS STEEL BEARING ASSY.'S

Cosmec 1501 ROCKY RIDGE ROAD
P.O. BOX 2159
ATHENS, TEXAS 75751

SCALE: NONE	DRAWN BY: MH	CHECKED BY: SL
	DATE: 05/28/14	DATE: 05/08/14

SHEET E3 OF 4 **JOB NO.: 12445**

CUSTOMER: MILLER CONSTRUCTION, INC. DRAWING NUMBER: 12445-E3 REV: 0

T.Y. LIN INTERNATIONAL
THE STAMPED DOCUMENTS ARE HEREBY:

APPROVED
 APPROVED AS NOTED
 REVISE AND RESUBMIT

SEE TRANSMITTAL FOR ADDITIONAL INFORMATION AS APPLICABLE.

THIS REVIEW IS FOR GENERAL CONFORMANCE WITH DESIGN CONCEPT ONLY. ANY DEVIATION FROM THE PLANS OR SPECIFICATIONS NOT CLEARLY NOTED BY THE CONTRACTOR HAS NOT BEEN REVIEWED. REVIEW BY THE ENGINEER SHALL NOT RELIEVE THE CONTRACTOR OF THE CONTRACTUAL RESPONSIBILITY FOR ANY ERRORS OR DEVIATION FROM THE CONTRACT REQUIREMENTS.

JOSH OLUND 06/17/2014
REVIEWER DATE

REV.	DESCRIPTION	BY	DATE	CHK'D	DATE