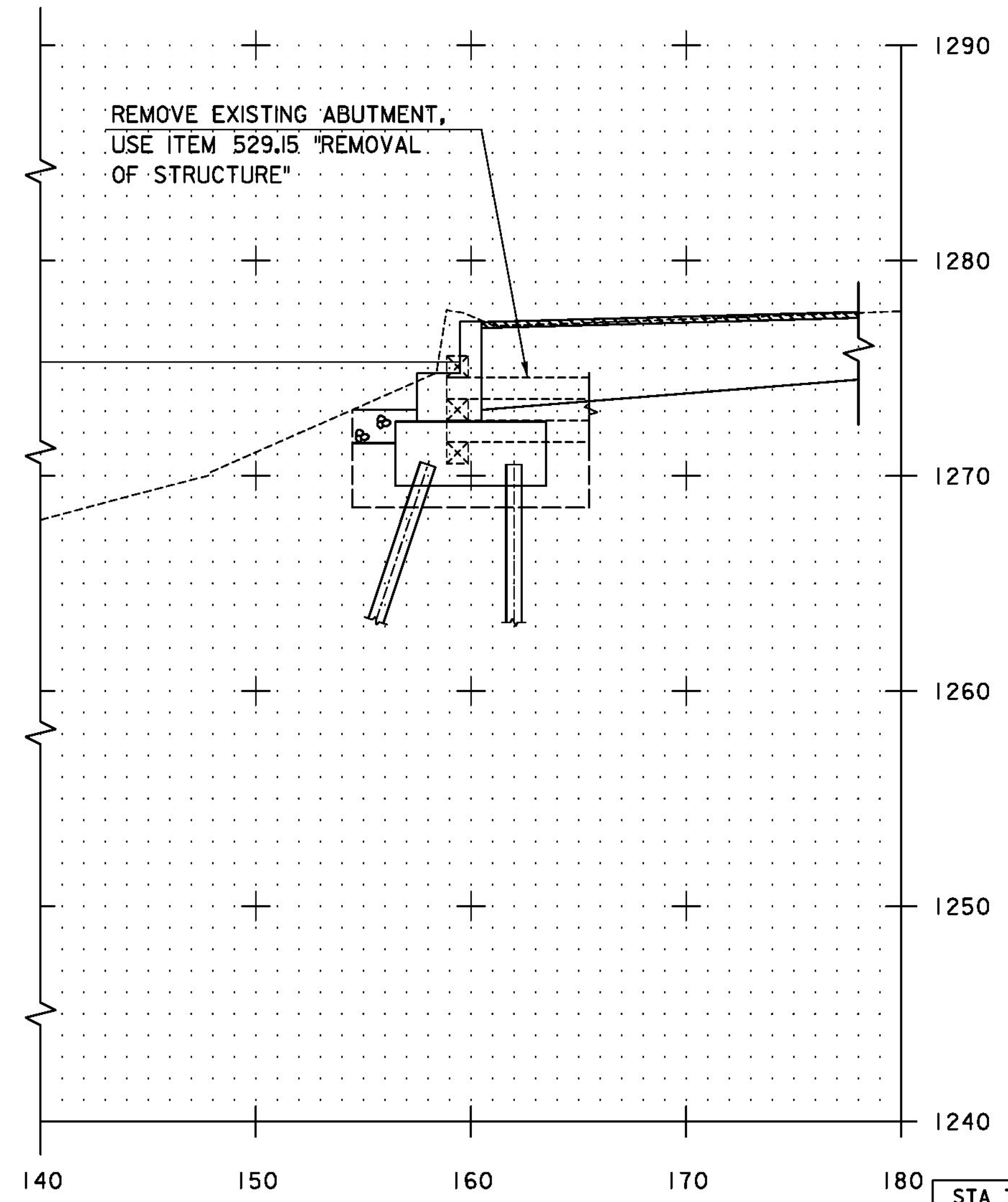
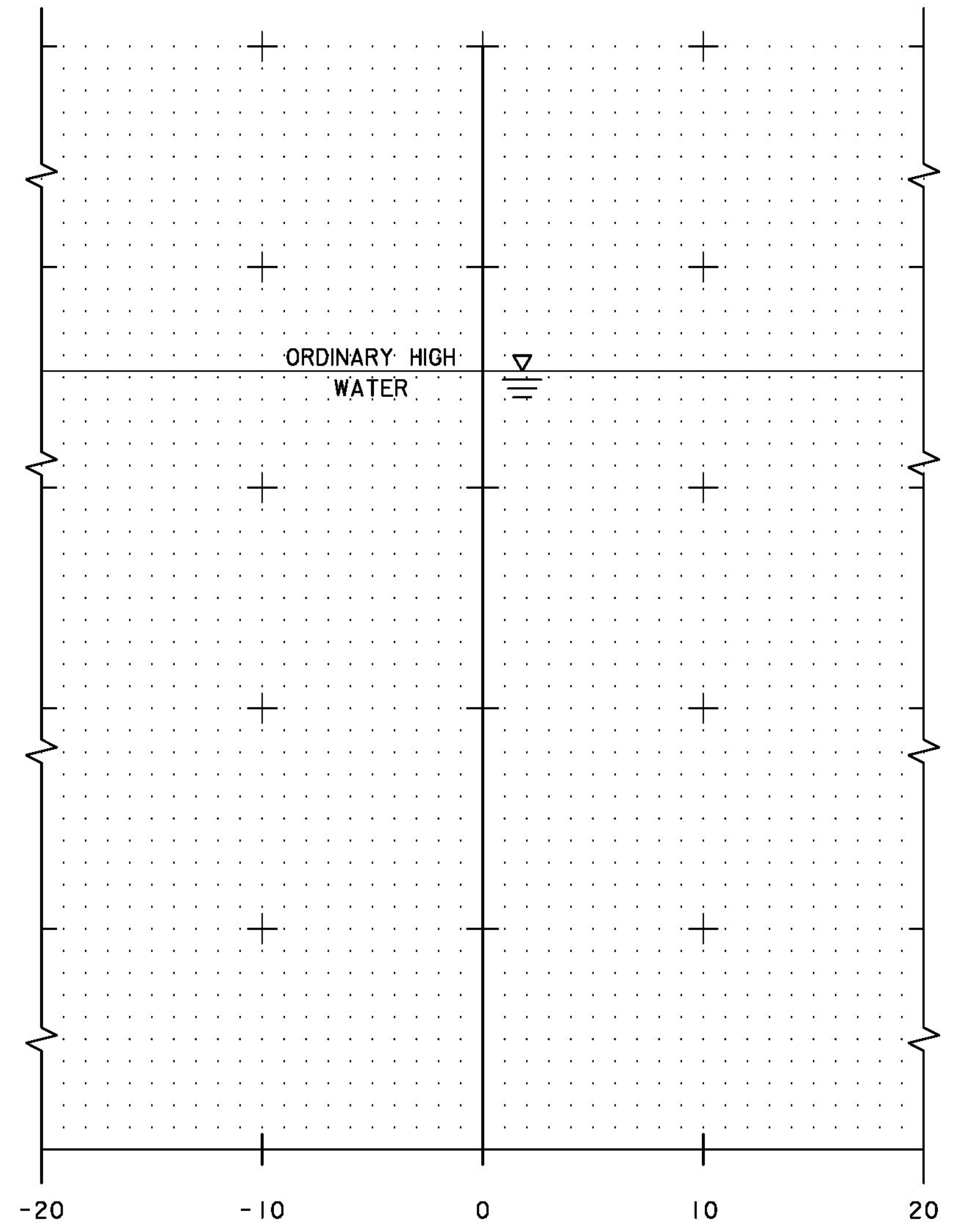
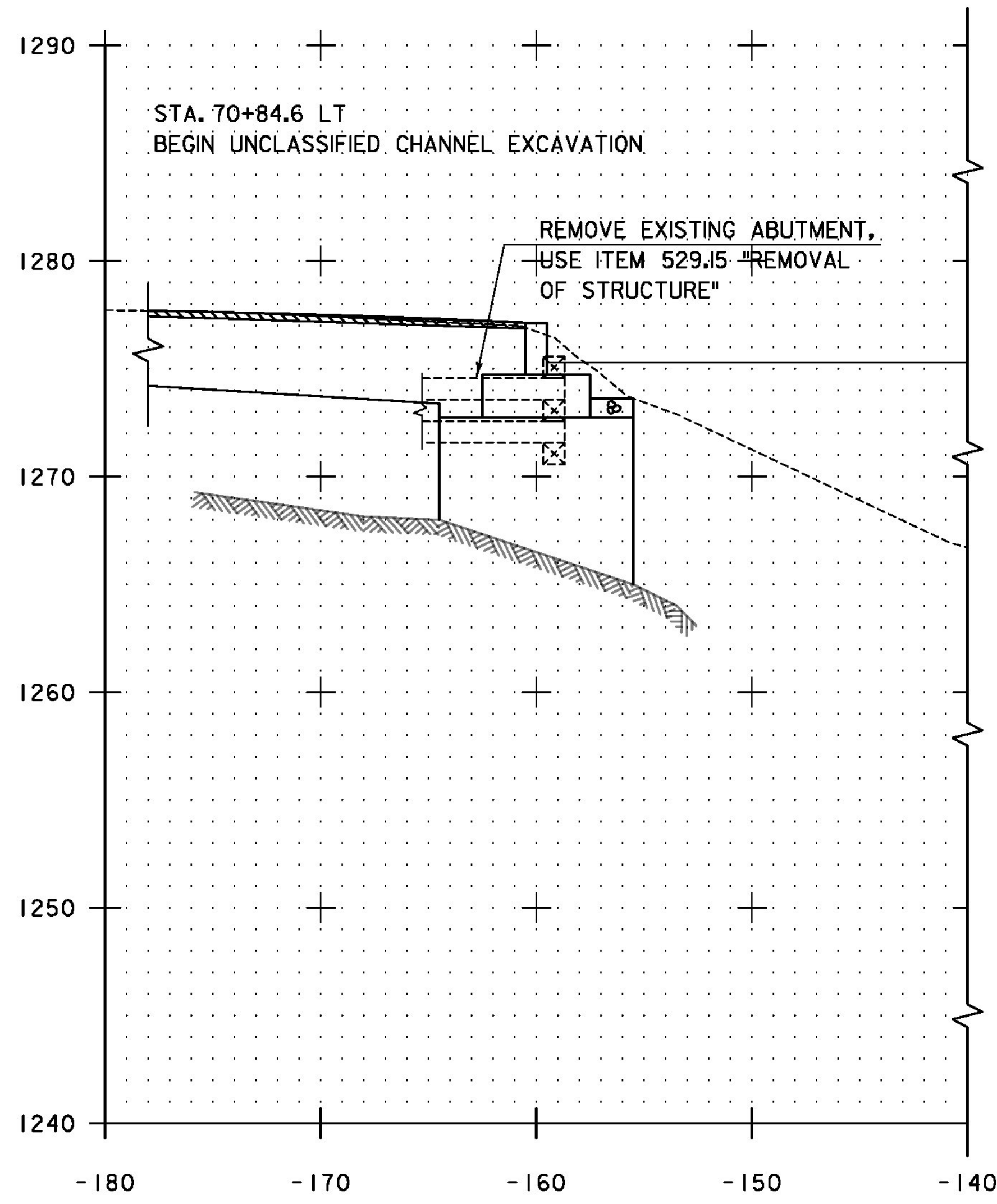


70+90



70+80

STA 70+80 TO 70+90

PROJECT NAME: BROOKFIELD
 PROJECT NUMBER: BRF FLBR(2)

SCALE 1" = 5'-0"

TYLINTERNATIONAL

FILE NAME: z12e134bdr_xs-Lake.dgn
 PROJECT LEADER: J. OLUND
 DESIGNED BY: J. OLUND
 LAKE CROSS SECTIONS 3

PLOT DATE: 12/3/2013
 DRAWN BY: T. KELLEY
 CHECKED BY: J. OLUND
 SHEET 63 OF 70