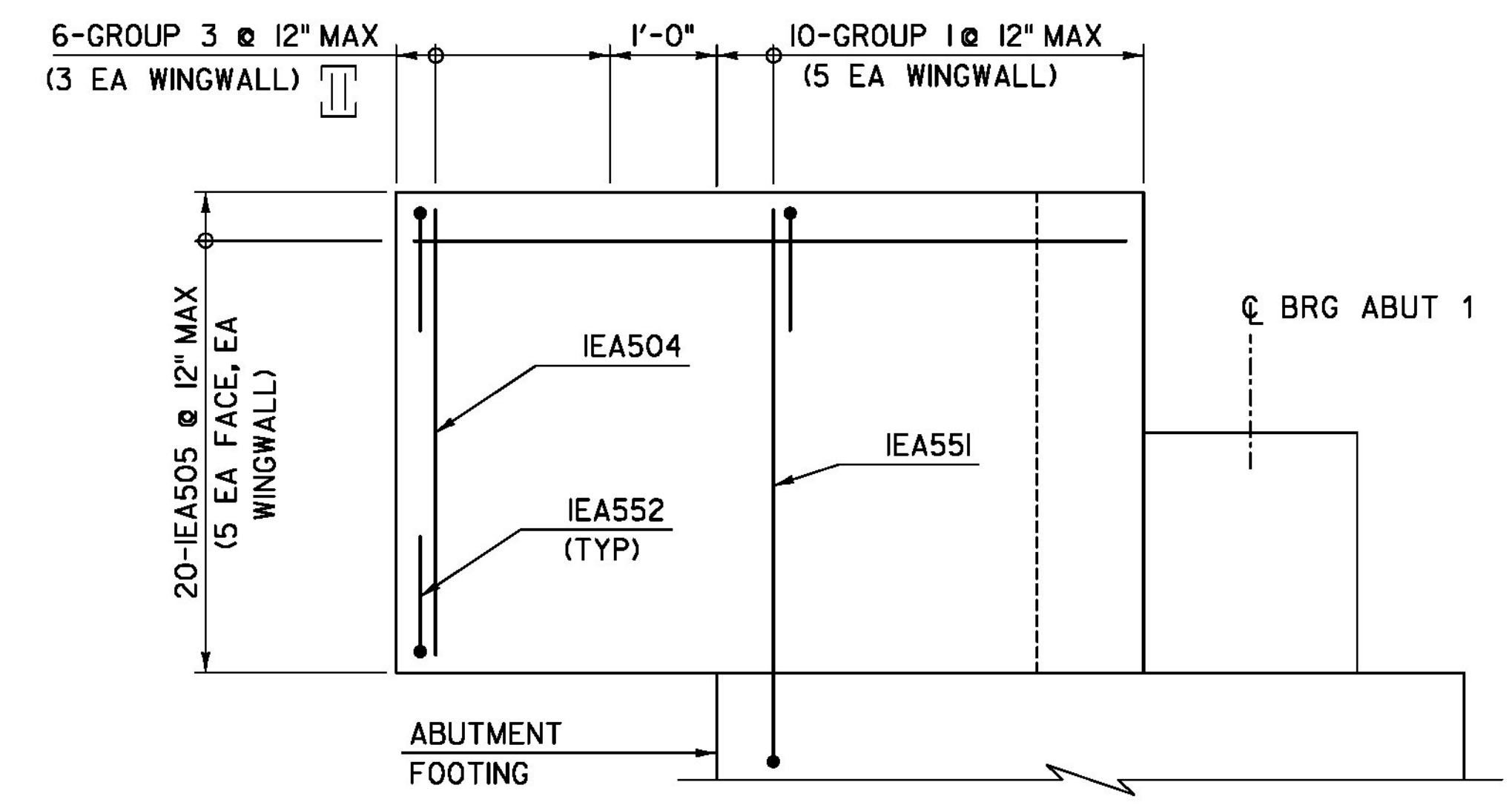
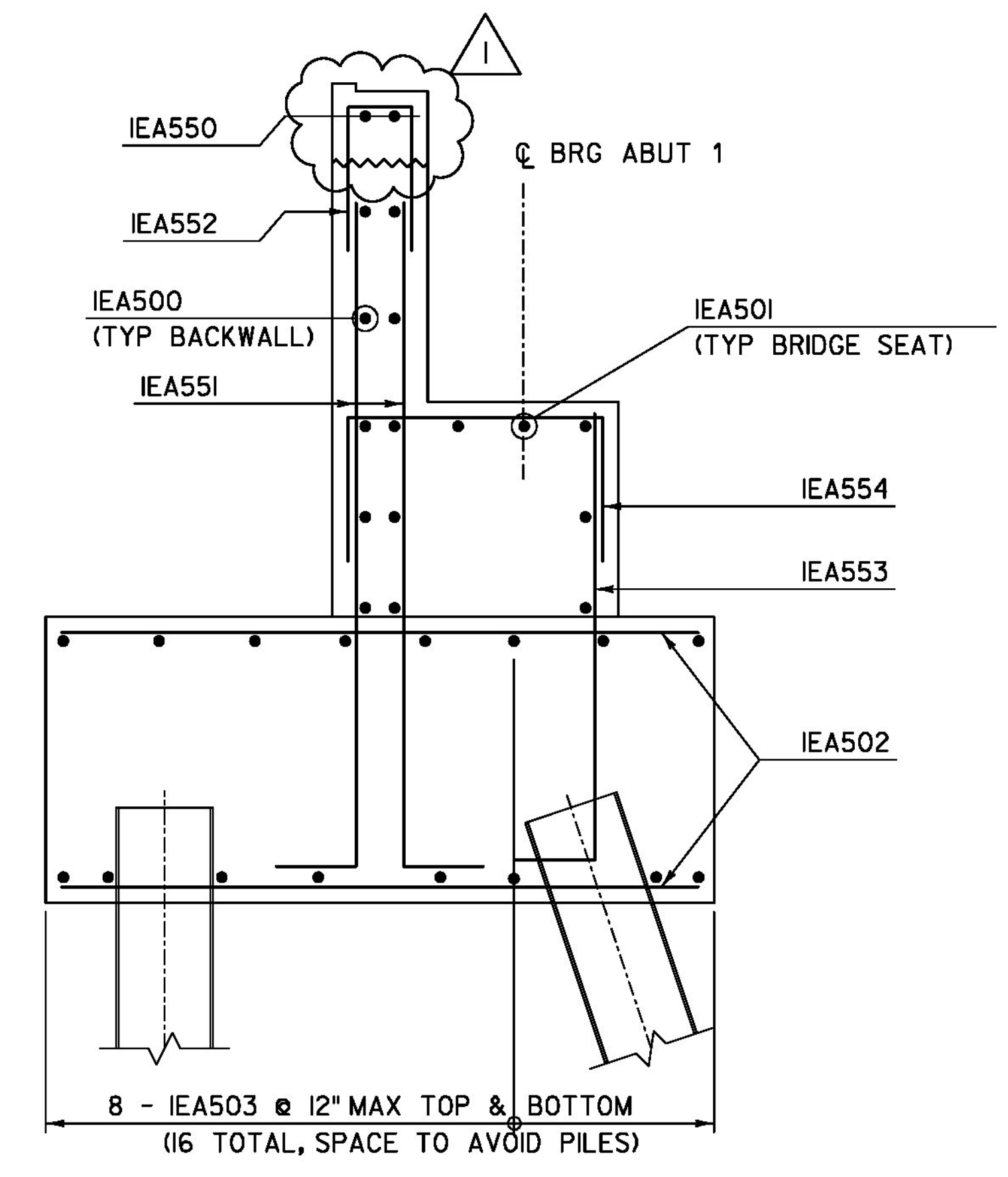


ABUTMENT 1 - REINFORCEMENT
SCALE: 3/8" = 1'-0"

- GROUP 1:
2-IEA551, 1-IEA552
- GROUP 2:
1-IEA553, 1-IEA554
- GROUP 3:
2-IEA504, 2-IEA552



VIEW B-B
SCALE: 3/4" = 1'-0"



SECTION A-A
SCALE: 3/4" = 1'-0"

REVISION	DESCRIPTION	DATE
REVISION #1	ADDED CONSTRUCTION JOINT	2/4/2014

PROJECT NAME: **BROOKFIELD**
PROJECT NUMBER: **BRF FLBR(2)**

TYL INTERNATIONAL	FILE NAME: z12e134bdrabut1r.dgn	PLOT DATE: 2/5/2014
	PROJECT LEADER: J. OLUND	DRAWN BY: S. MORGAN
	DESIGNED BY: T. POULIN	CHECKED BY: S. KELLER
	ABUTMENT 1 REINFORCEMENT	SHEET 55 OF 70