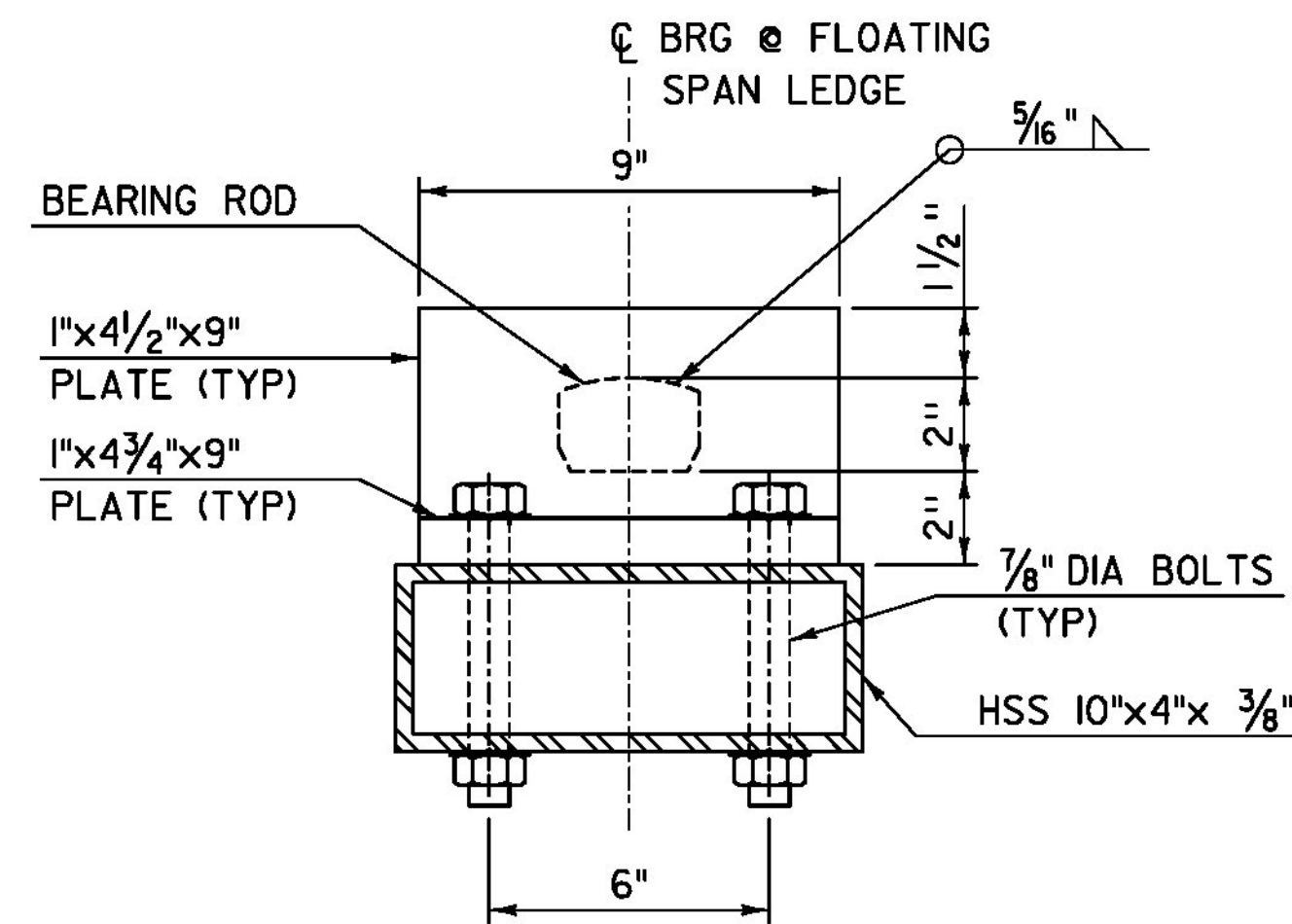
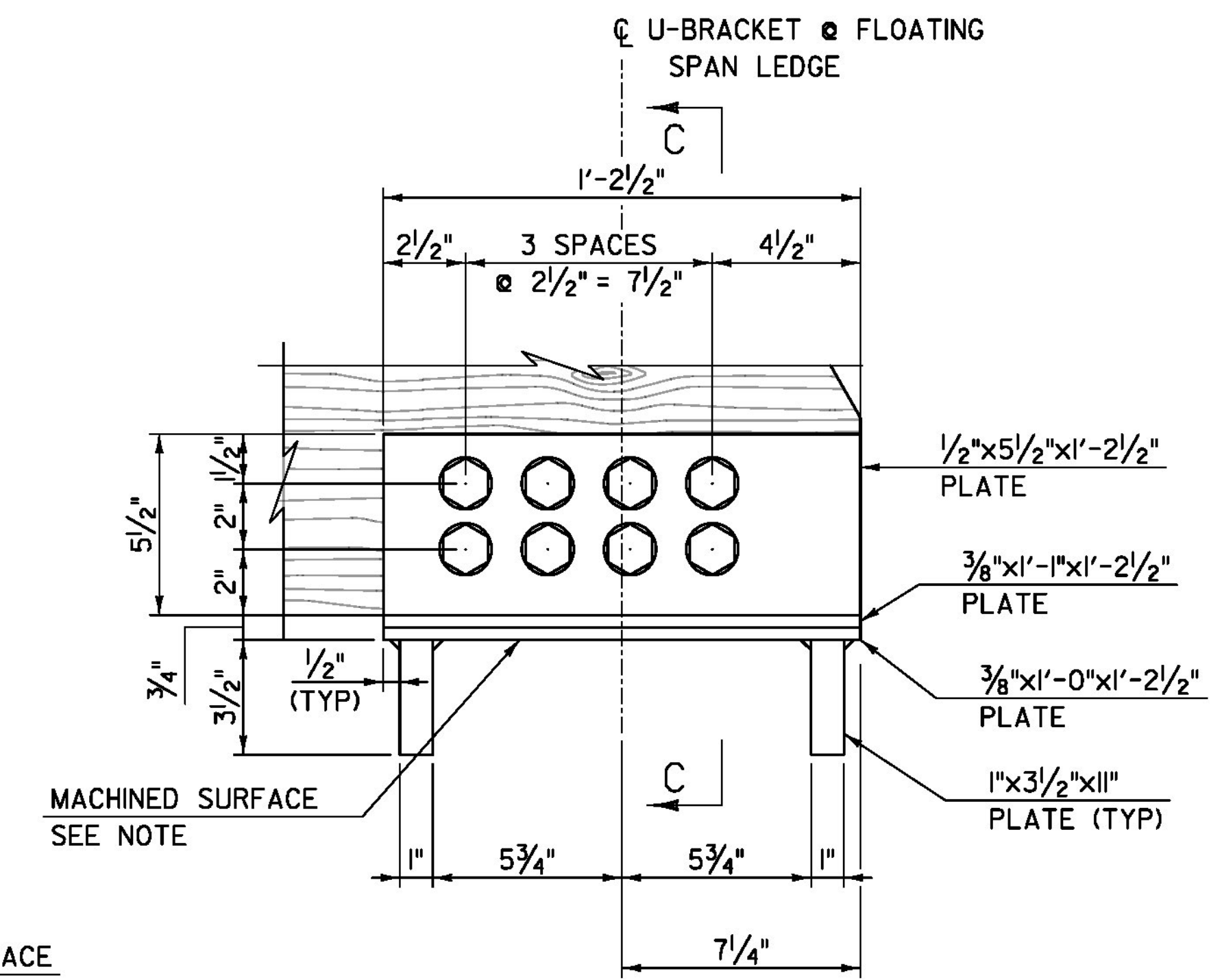


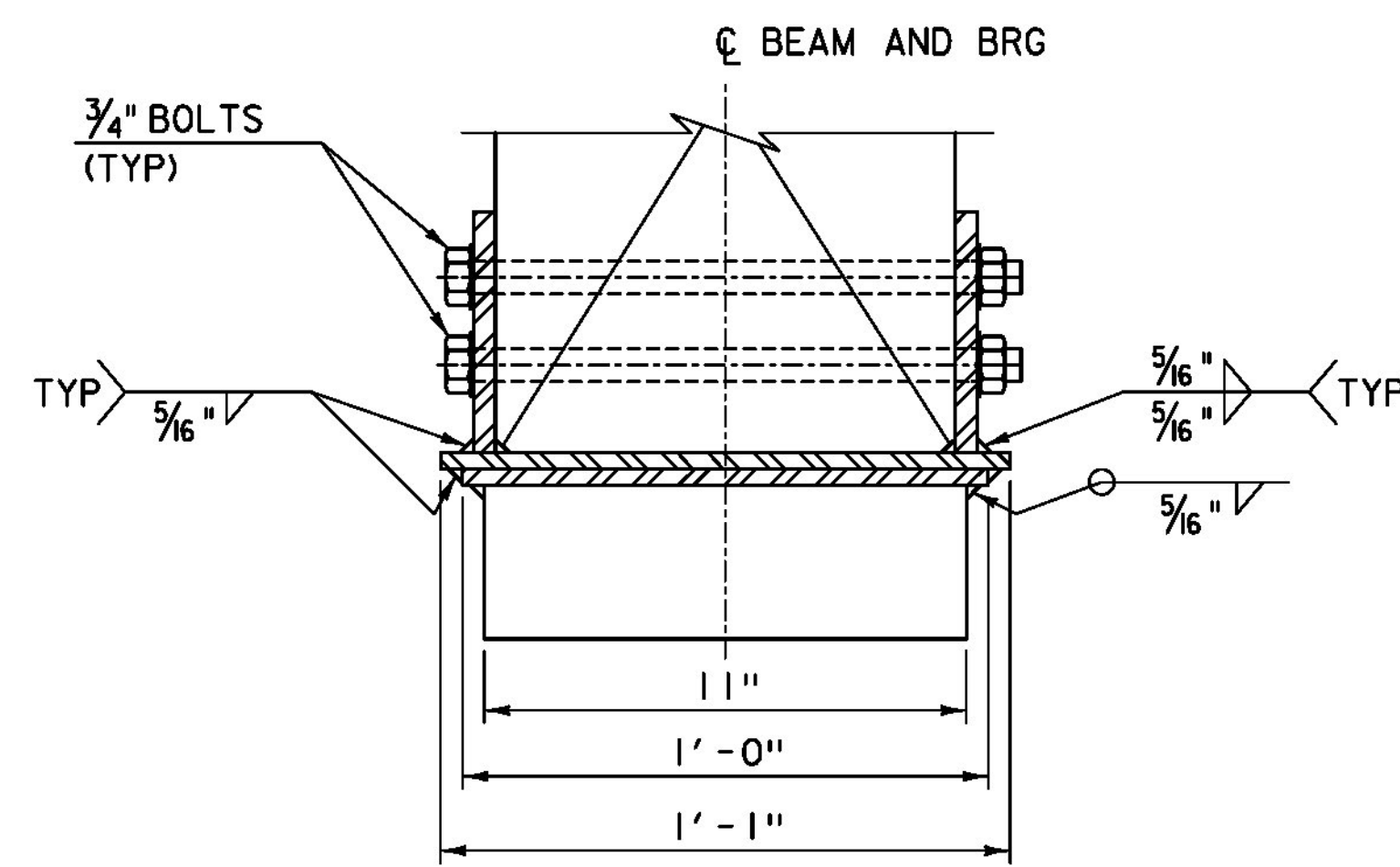
FLOATING SPAN LEDGE BEARING ELEVATION
SCALE: 3" = 1'-0"



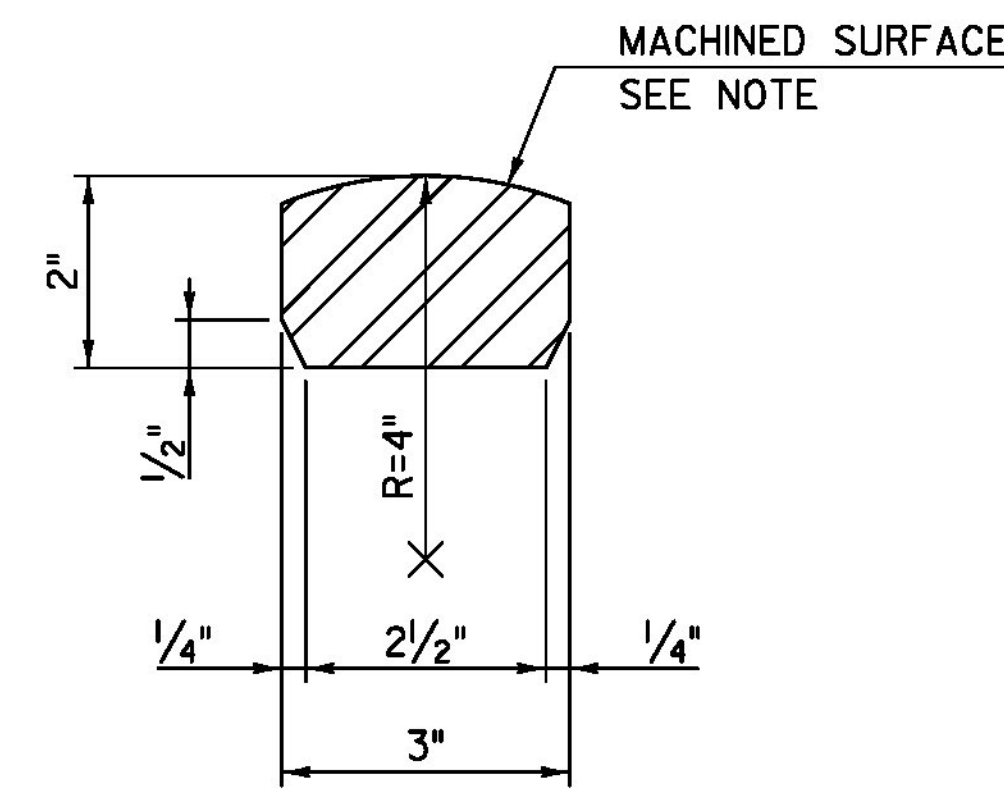
FLOATING SPAN LEDGE SECTION A-A
SCALE: 3" = 1'-0"



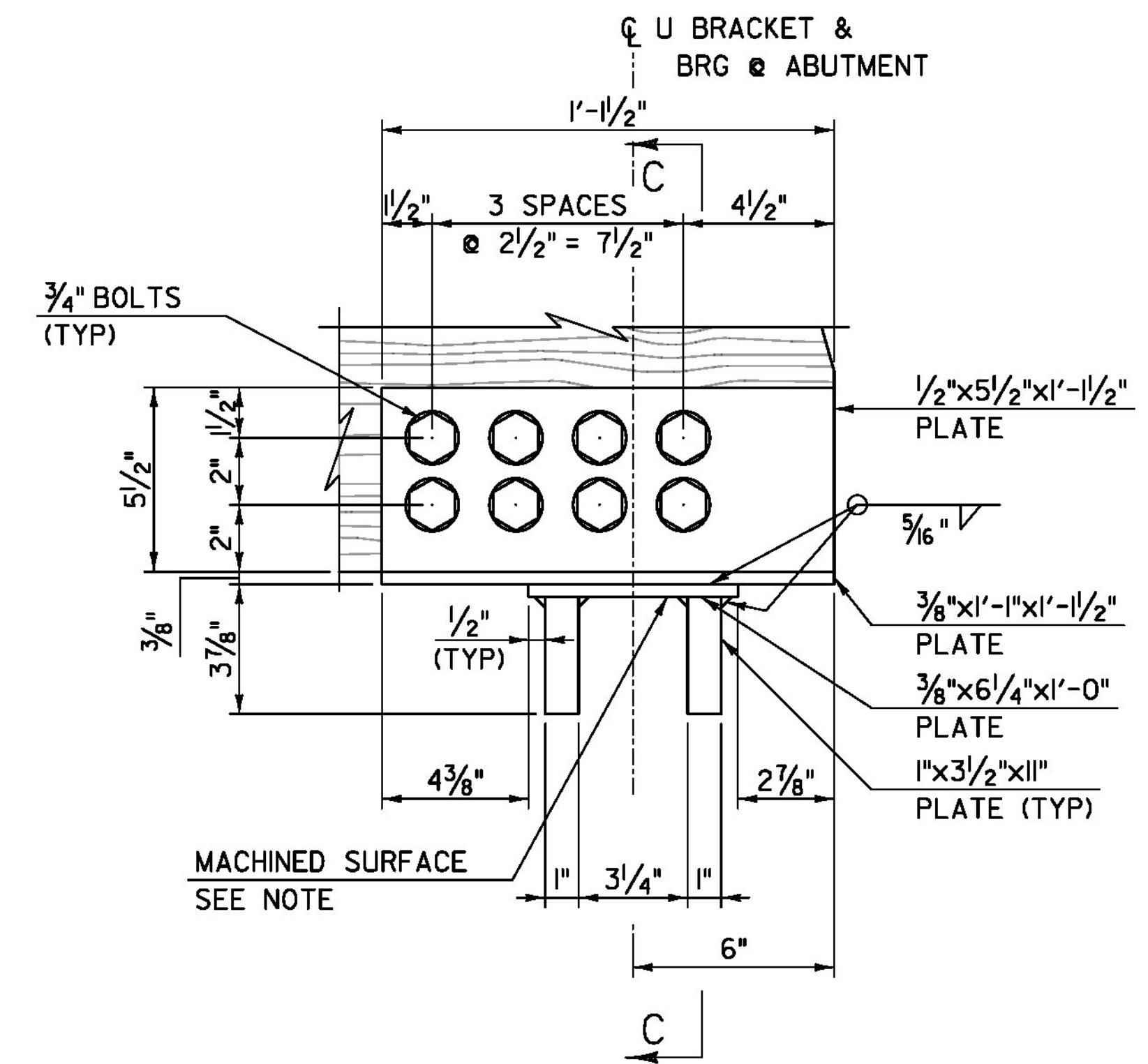
U-BRACKET BEARING DETAIL - FLOATING SPAN LEDGE
SCALE: 3" = 1'-0"



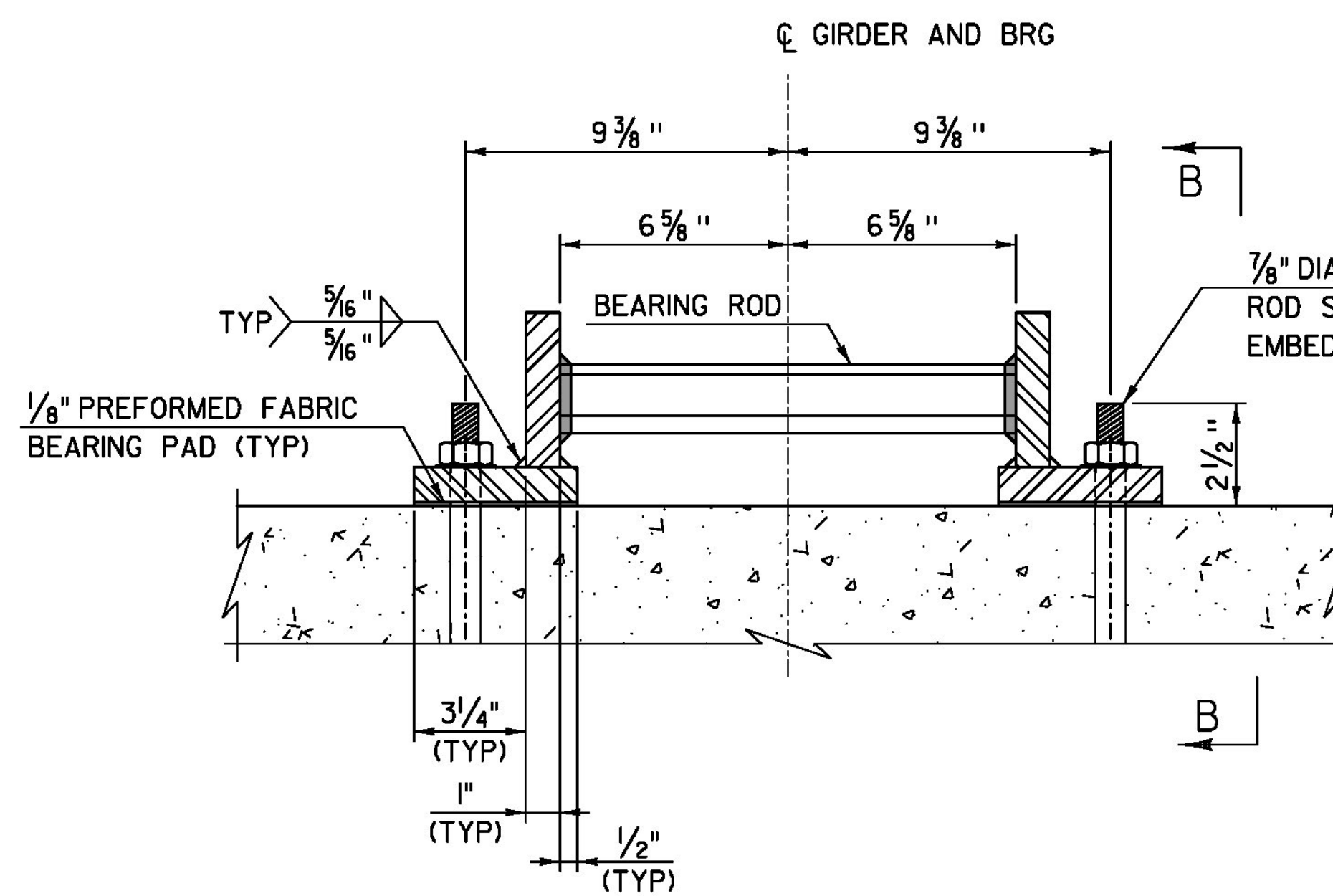
SECTION C-C
SCALE: 3" = 1'-0"



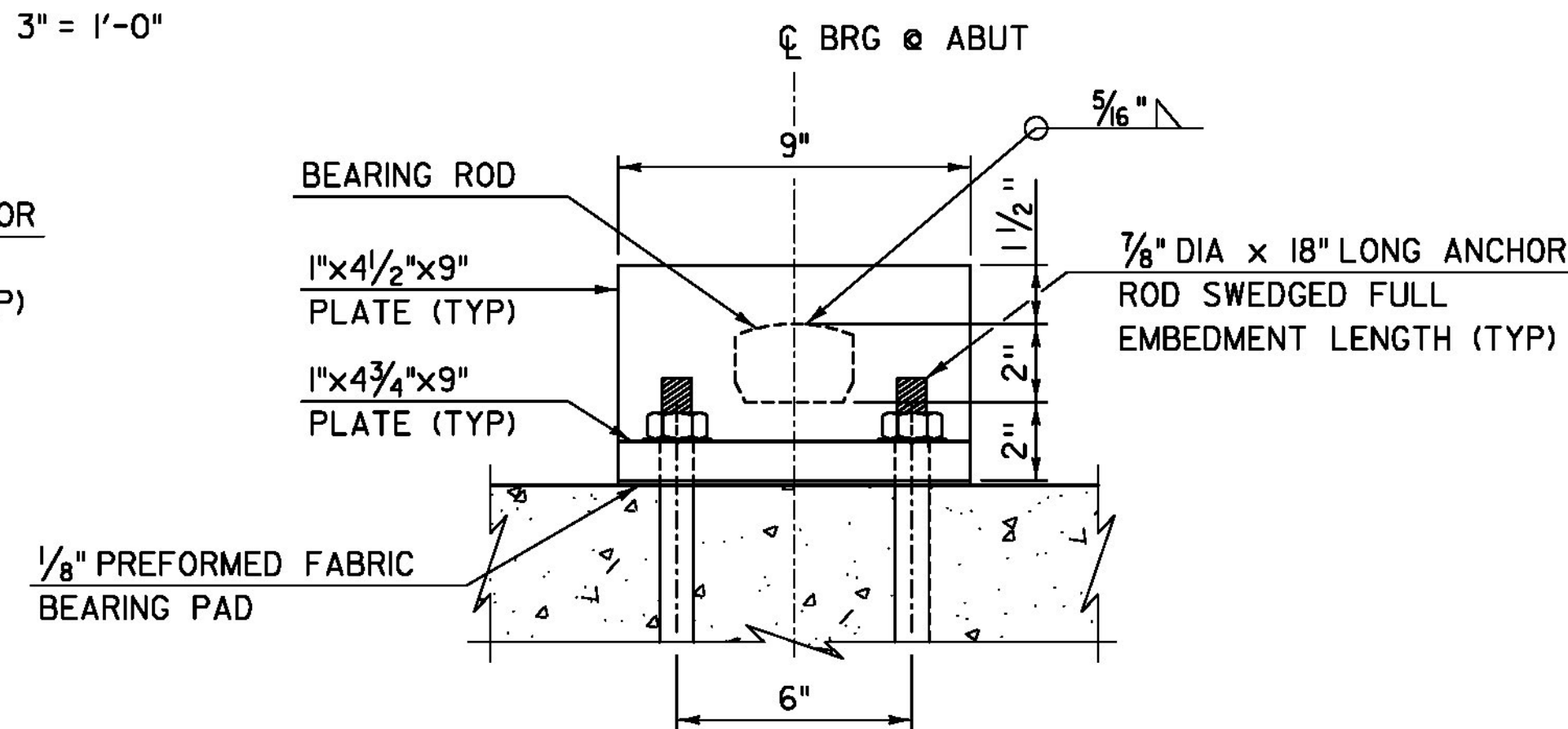
BEARING ROD SECTION
SCALE: 6" = 1'-0"



U-BRACKET BEARING DETAIL - ABUTMENT
SCALE: 3" = 1'-0"



ABUTMENT BEARING ELEVATION
SCALE: 3" = 1'-0"



ABUTMENT SECTION B-B
SCALE: 3" = 1'-0"

NOTES:

1. SURFACES NOTED AS MACHINED SURFACES SHALL BE FINISHED TO A ROUGHNESS TOLERANCE OF ANSI 250 MICRO-INCHES.
2. PREFORMED FABRIC BEARING PADS SHALL CONFORM TO THE REQUIREMENTS OF SUBSECTION 731.01, AND SHALL BE INCLUDED IN THE UNIT PRICE BID FOR CONTRACT ITEM 900.620 "SPECIAL PROVISION (BEARING DEVICE ASSEMBLY, FLOATING BRIDGE)".

TYLINT INTERNATIONAL

PROJECT NAME: BROOKFIELD
PROJECT NUMBER: BRF FLBR(2)

FILE NAME: z12el34bdrbearings.dgn
PROJECT LEADER: J. OLUND
DESIGNED BY: D. MYERS
BEARING DETAILS

PLOT DATE: 12/3/2013
DRAWN BY: S. MORGAN
CHECKED BY: S. KELLER
SHEET 53 OF 70