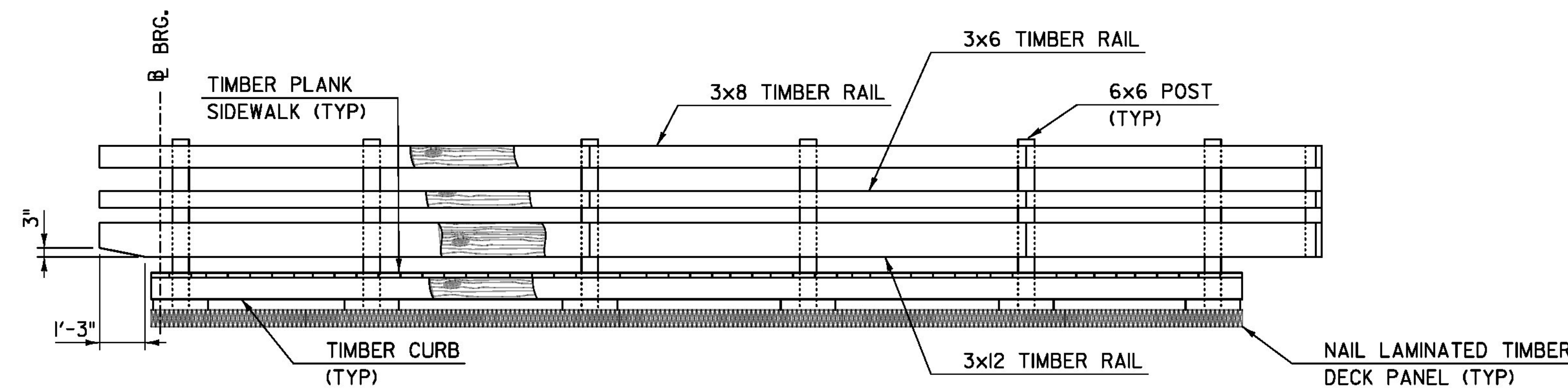


RAIL POST LAYOUT - RAMP PLAN

SCALE: 3/8" = 1'-0"

(BOTH SIDES SIMILAR, SIDEWALK PLANKS AND CURB BOARDS NOT SHOWN FOR CLARITY)

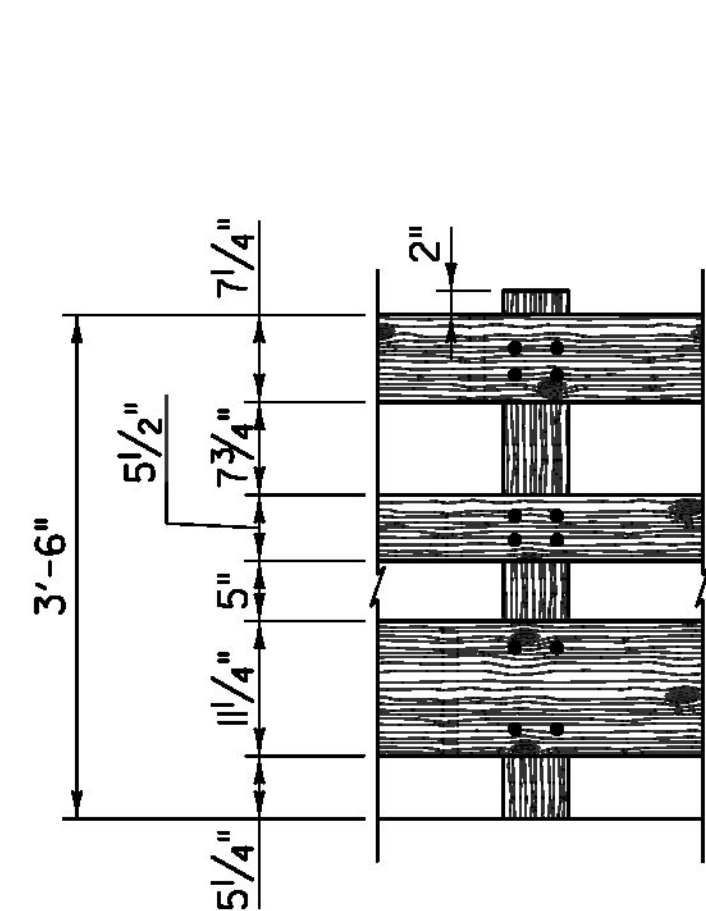


RAMP RAIL LAYOUT - ELEVATION

SCALE: 3/8" = 1'-0"
(BOTH SIDES SIMILAR)

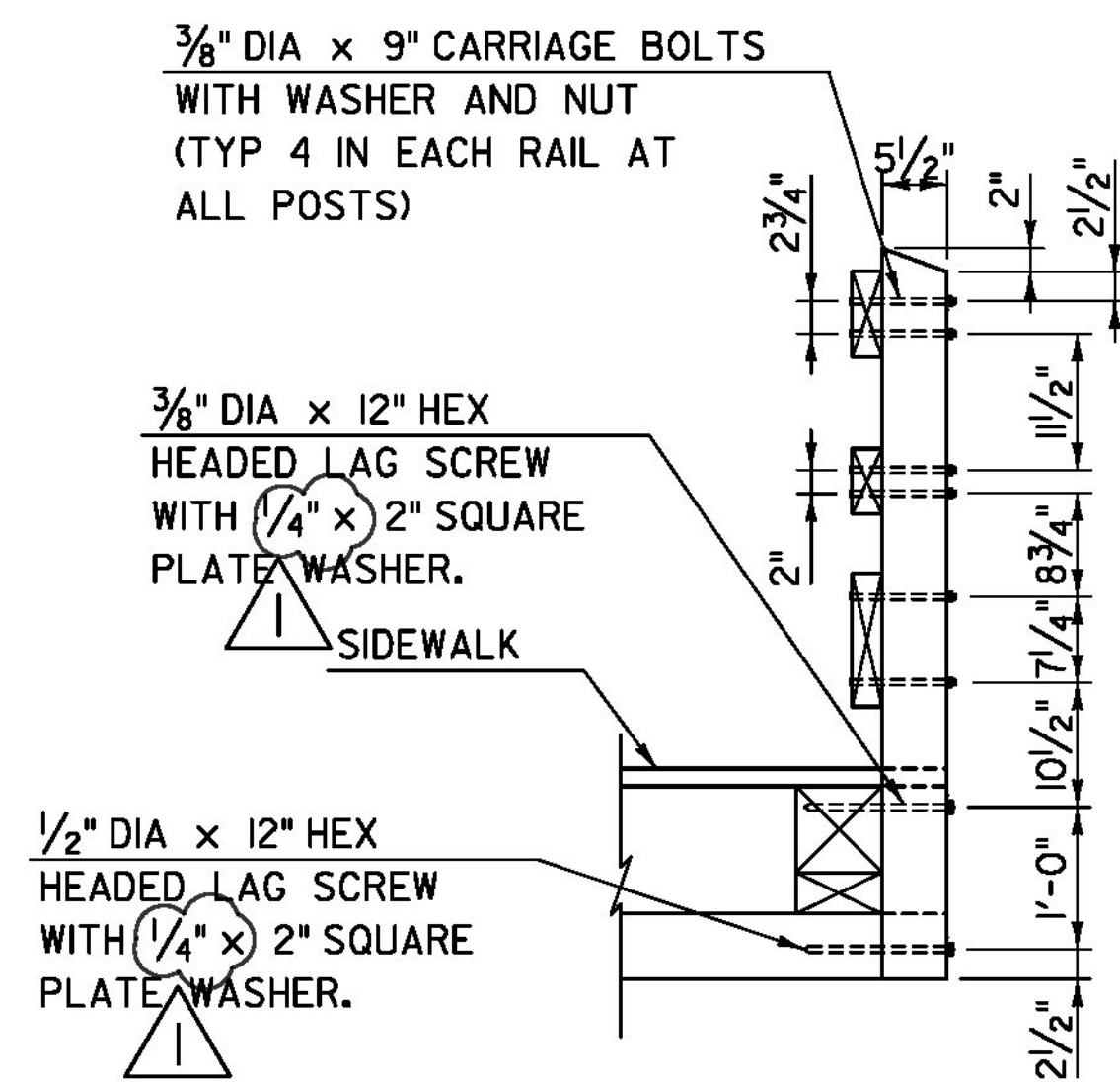
NOTES:

1. TIMBER RAILS SHALL BE ATTACHED TO A MINIMUM OF 3 POSTS, OR 2 POSTS AND THE BACKER BOARD.
2. NO POSITIVE CONNECTION SHALL BE MADE BETWEEN THE RAMP TIMBER RAILING AND EITHER THE STEEL BACKED TIMBER GUARDRAIL OR THE FLOATING SPAN TIMBER RAILING.



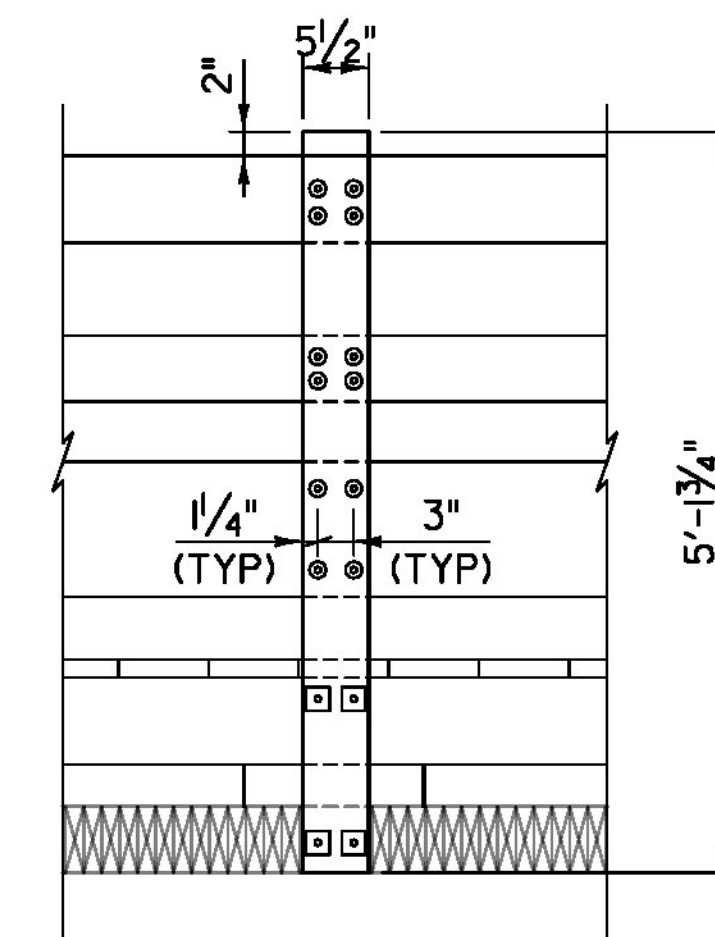
TIMBER PEDESTRIAN RAIL - FRONT ELEVATION

SCALE: 3/4" = 1'-0"



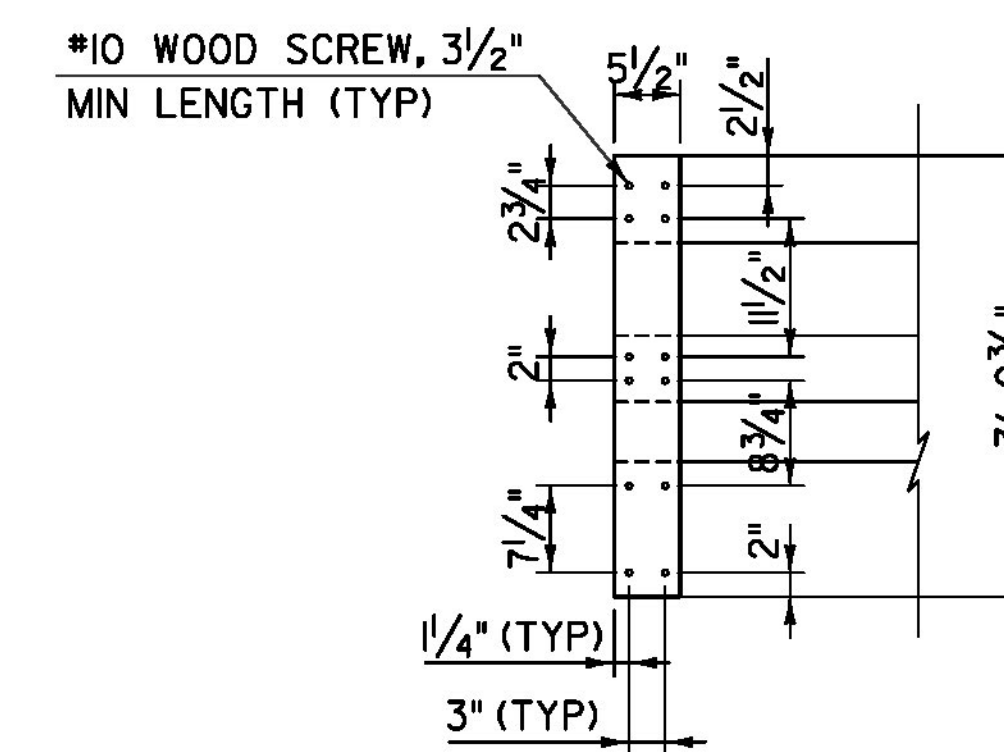
RAIL POST - RAMP SECTION

SCALE: 3/4" = 1'-0"



RAIL POST - BACK ELEVATION

SCALE: 3/4" = 1'-0"



2x6 BACKER BOARD - BACK ELEVATION

SCALE: 3/4" = 1'-0"

REVISION	DESCRIPTION	DATE
REVISION #1	WASHER THICKNESS ADDED	2/4/2014

PROJECT NAME: BROOKFIELD
PROJECT NUMBER: BRFLBR(2)

FILE NAME: z12e134bdrallayr.dgn
PROJECT LEADER: J. OLUND
DESIGNED BY: S. KELLER
RAMP RAILING LAYOUT & DETAILS

PLOT DATE: 2/5/2014
DRAWN BY: S. MORGAN
CHECKED BY: J. OLUND
SHEET 49 OF 70

TYLIN INTERNATIONAL