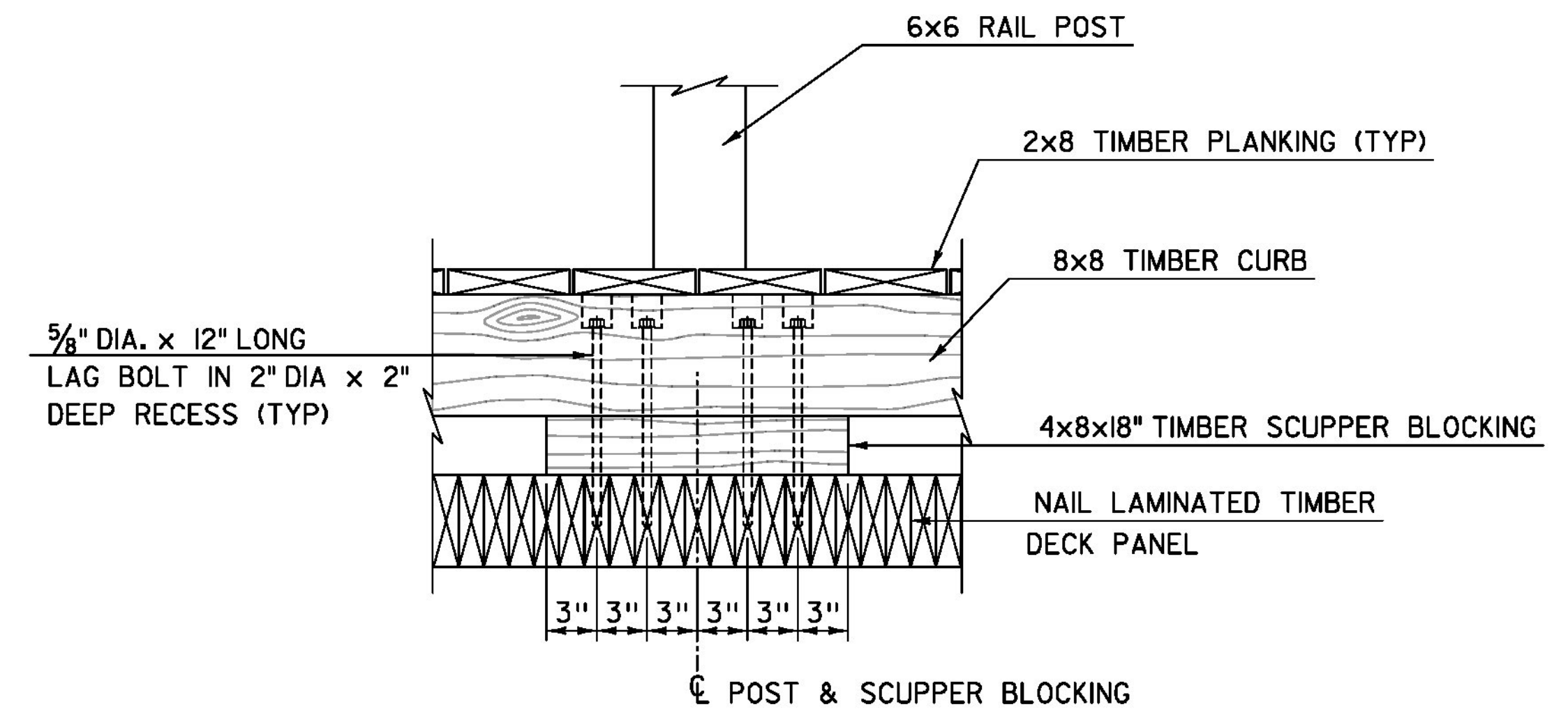


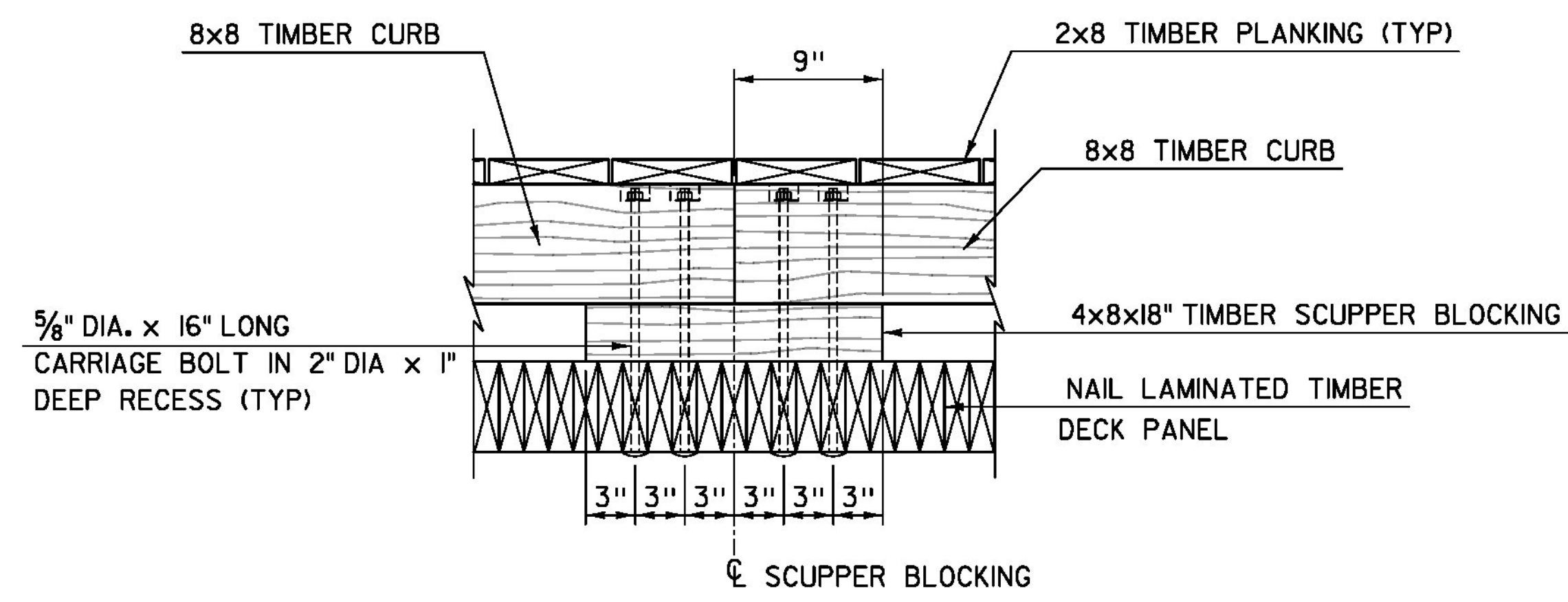
SECTION B-B: INTERIOR CURB ELEVATION

SCALE: 1/2" = 1'-0"
(SIDEWALK CONNECTIONS NOT SHOWN FOR CLARITY)



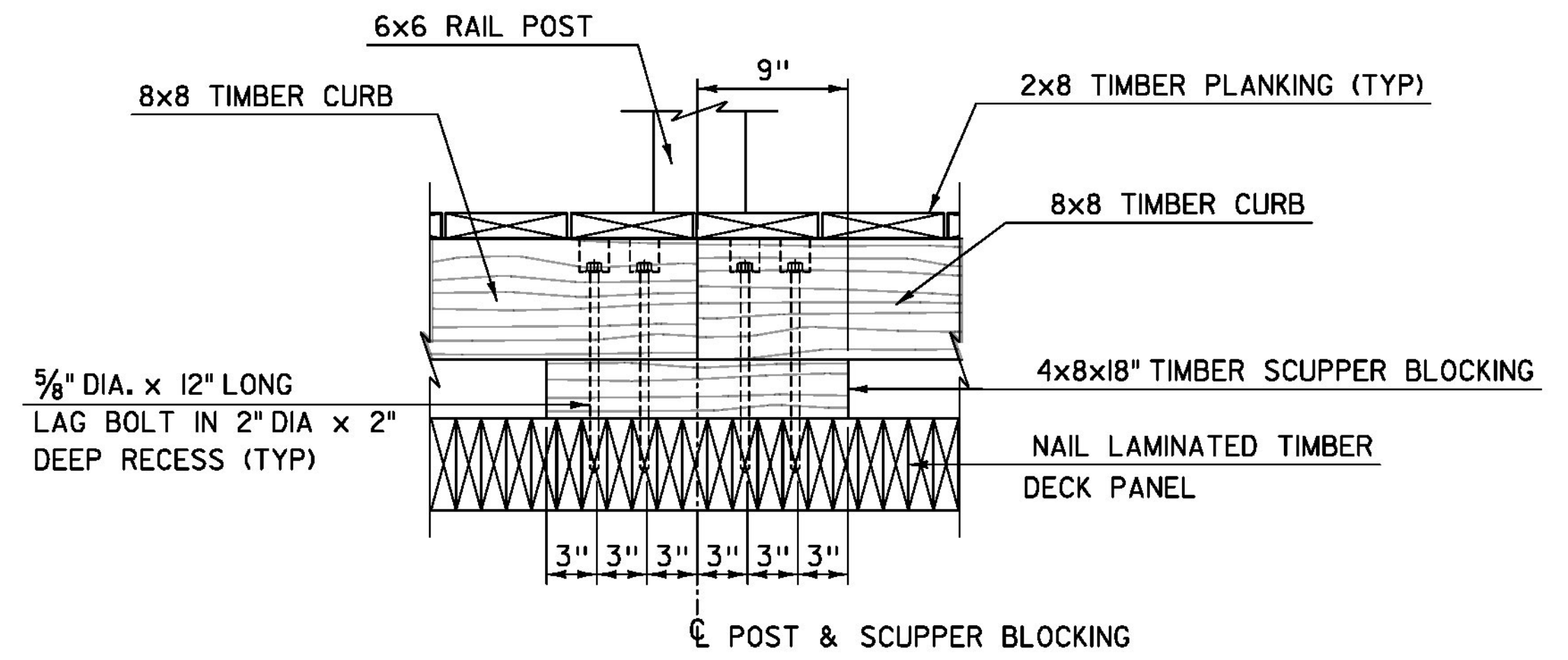
SECTION C-C: EXTERIOR CURB ELEVATION

SCALE: 1/2" = 1'-0"
(SIDEWALK CONNECTIONS NOT SHOWN FOR CLARITY)



SECTION B-B: INTERIOR CURB AT SPLICE

SCALE: 1/2" = 1'-0"
(SIDEWALK CONNECTIONS NOT SHOWN FOR CLARITY)



SECTION C-C: EXTERIOR CURB AT SPLICE

SCALE: 1/2" = 1'-0"
(SIDEWALK CONNECTIONS NOT SHOWN FOR CLARITY)

TYLININTERNATIONAL

PROJECT NAME: BROOKFIELD
PROJECT NUMBER: BRF FLBR(2)

FILE NAME: z12e134bdrcurbdets2.dgn
PROJECT LEADER: J. OLUND
DESIGNED BY: T. POULIN
CURB DETAILS 2

PLOT DATE: 12/3/2013
DRAWN BY: S. MORGAN
CHECKED BY: S. KELLER
SHEET 48 OF 70