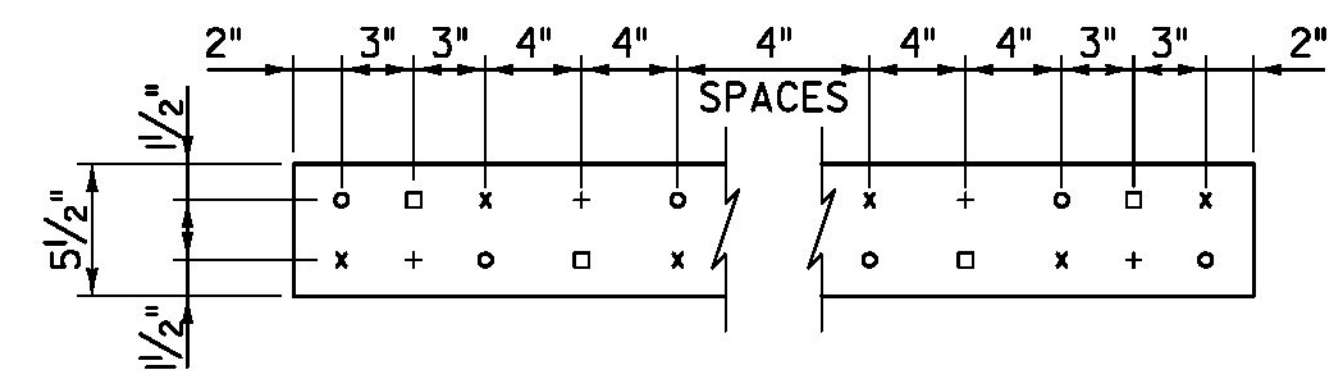


**FLOATING SPAN DECK
PANEL TYPE A - PLAN**
SCALE: 1/2" = 1'-0"

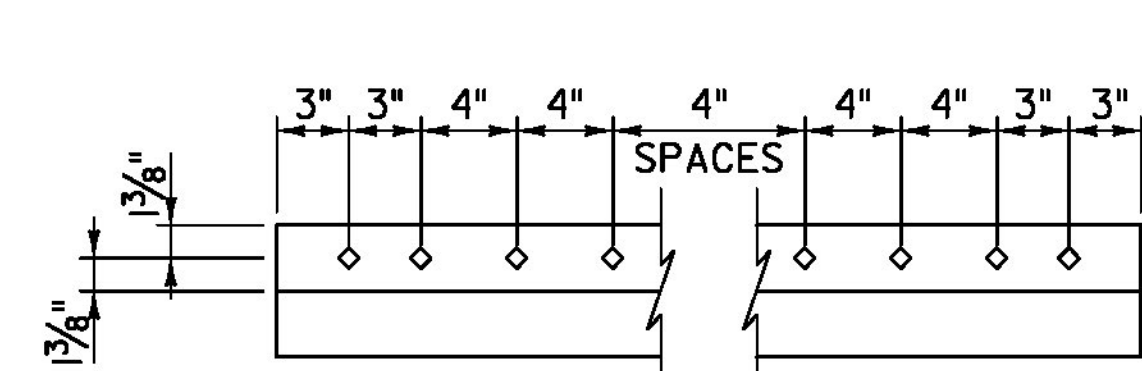
**FLOATING SPAN DECK
PANEL TYPE B - PLAN**
SCALE: 1/2" = 1'-0"

**FLOATING SPAN DECK
PANEL TYPE C - PLAN**
SCALE: 1/2" = 1'-0"

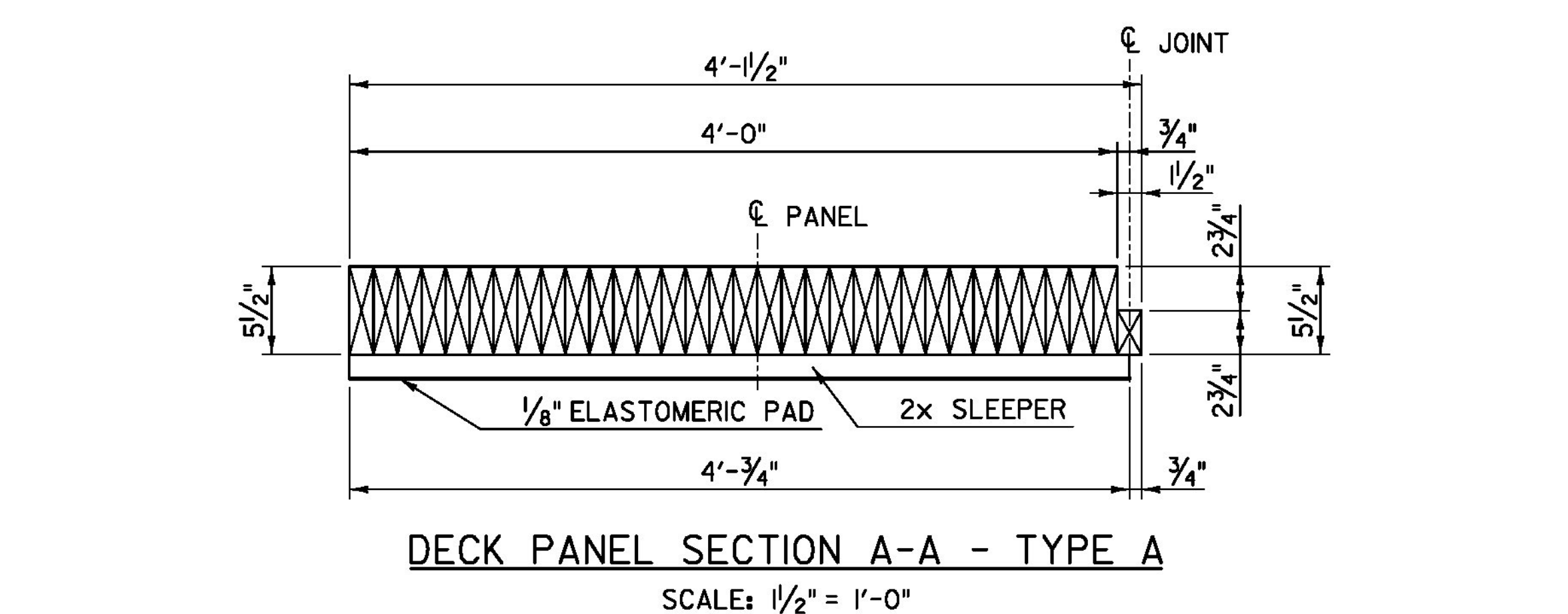


FLOATING SPAN DECK PANEL - NAIL PATTERN
SCALE: 1/2" = 1'-0"

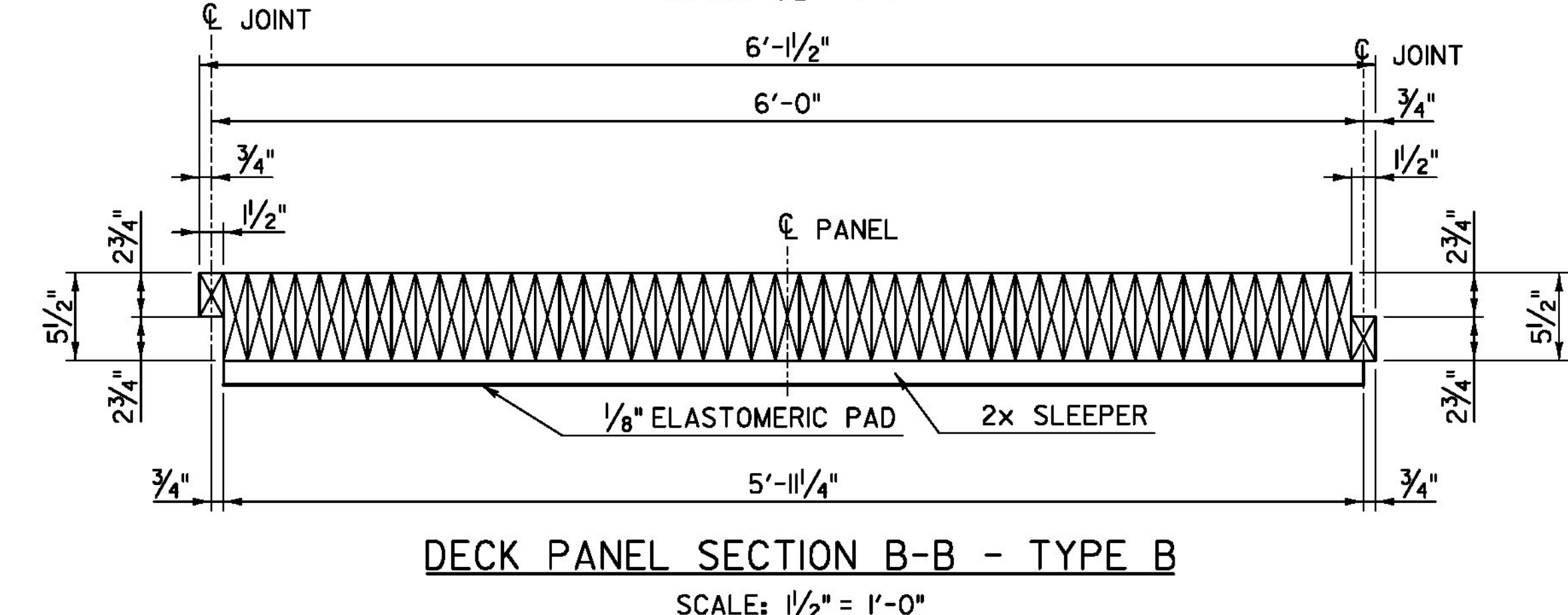
○ INDICATES NAILS IN FIRST LAMINATION
 × INDICATES NAILS IN SECOND LAMINATION
 + INDICATES NAILS IN THIRD LAMINATION
 □ INDICATES NAILS IN THE FIRST BOARD ONLY,
 REVERSED NAILING DIRECTION



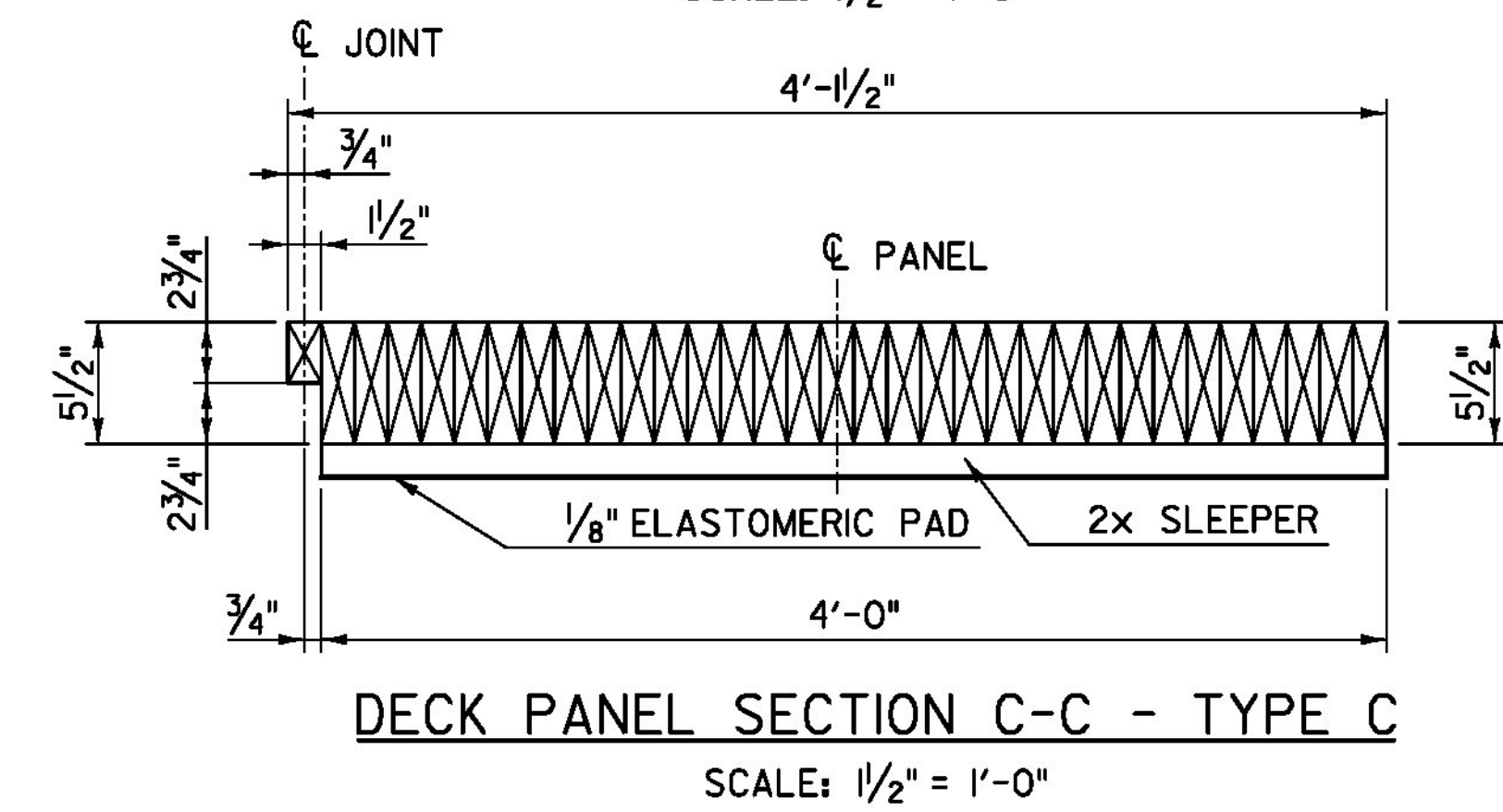
SHIP LAP BOARD - NAIL PATTERN
SCALE: 1/2" = 1'-0"
(TOP SHIP LAP BOARD SHOWN, BOTTOM SIMILAR)



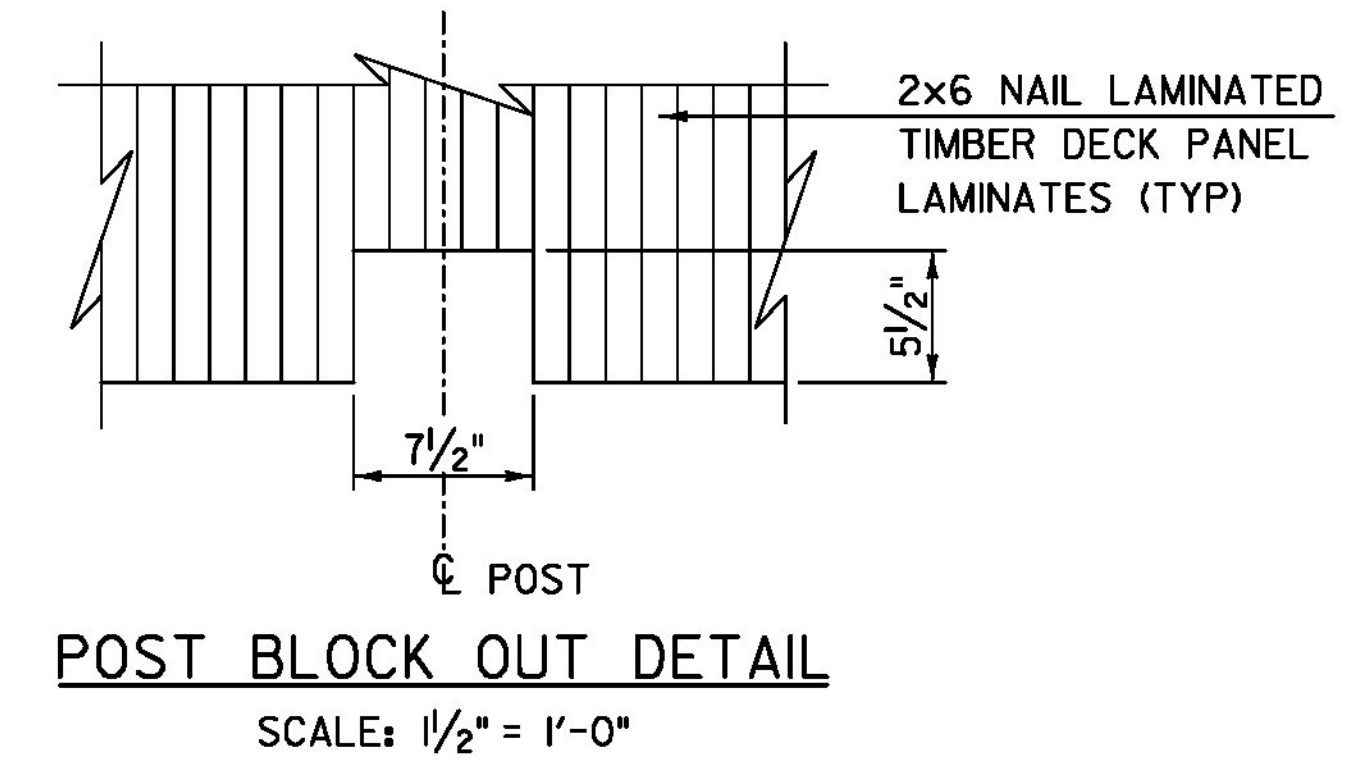
DECK PANEL SECTION A-A - TYPE A
SCALE: 1/2" = 1'-0"



DECK PANEL SECTION B-B - TYPE B
SCALE: 1/2" = 1'-0"



DECK PANEL SECTION C-C - TYPE C
SCALE: 1/2" = 1'-0"



POST BLOCK OUT DETAIL
SCALE: 1/2" = 1'-0"

TYLIN INTERNATIONAL	PROJECT NAME: BROOKFIELD	PLOT DATE: 12/3/2013
	PROJECT NUMBER: BRF FLBR(2)	DRAWN BY: S. MORGAN
	FILE NAME: z12el34bdr-deckpanel.dgn	CHECKED BY: S. KELLER
	PROJECT LEADER: J. OLUND	SHEET 45 OF 70
	DESIGNED BY: T. POULIN	
	FLOATING SPAN DECK PANELS	