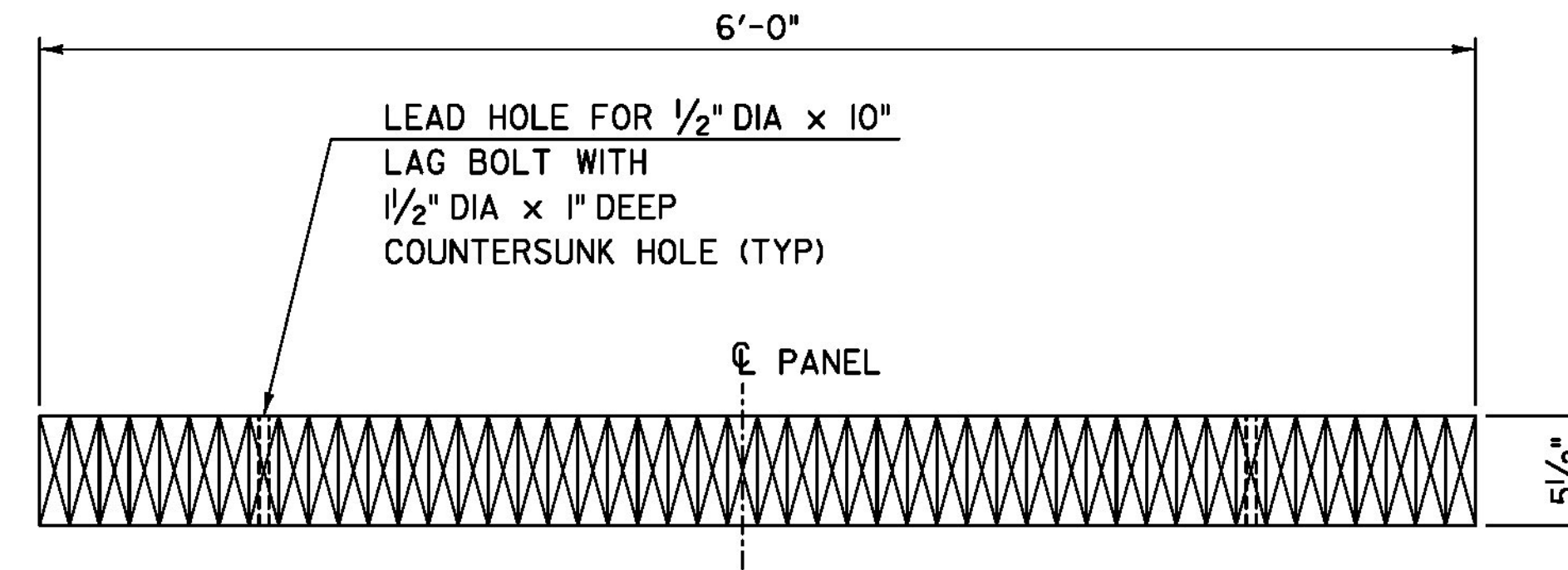


**RAMP DECK  
PANEL TYPE D - PLAN**

SCALE: 1/2" = 1'-0"

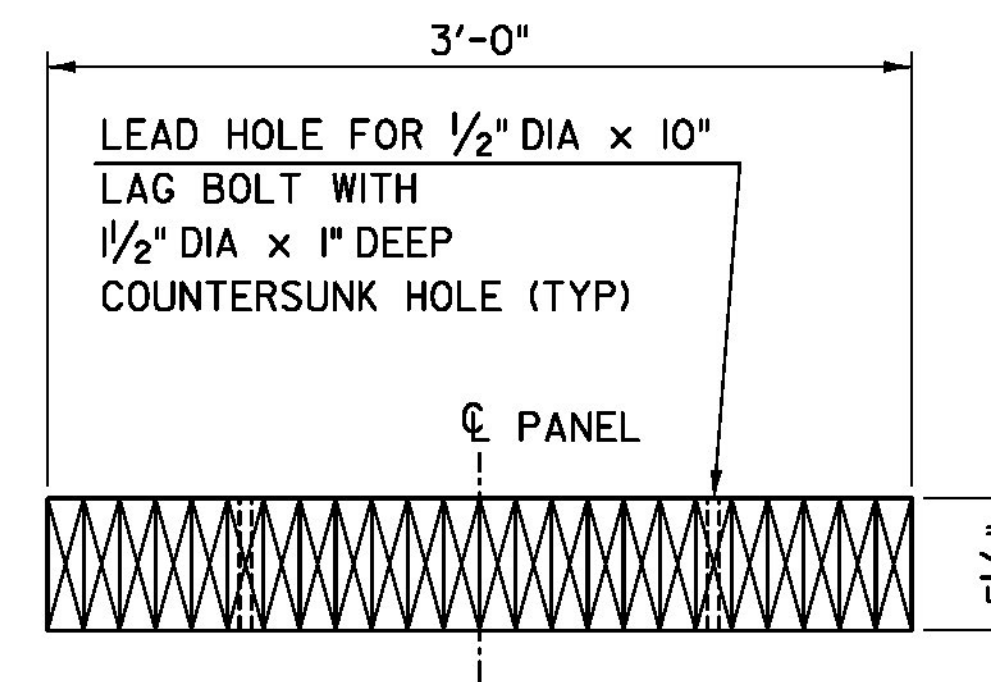
**RAMP DECK  
PANEL TYPE E - PLAN**

SCALE: 1/2" = 1'-0"



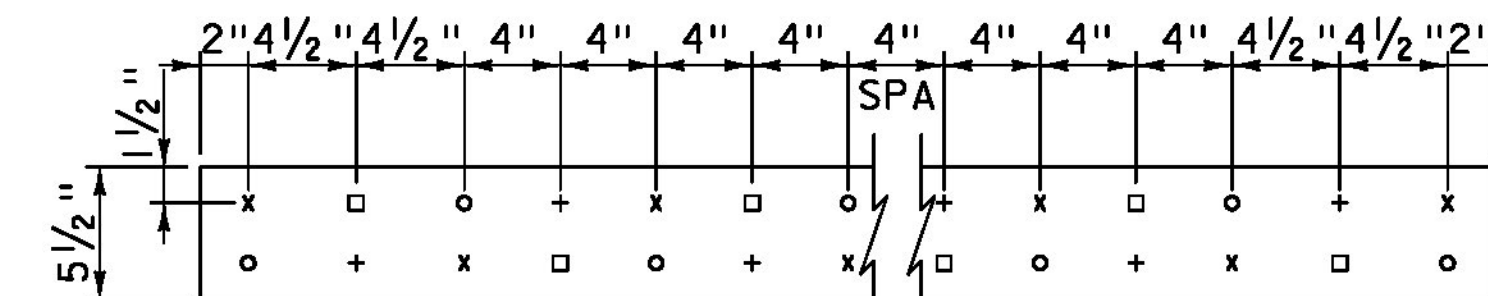
**DECK PANEL SECTION A-A - TYPE D**

SCALE: 1/2" = 1'-0"



**DECK PANEL SECTION B-B - TYPE E**

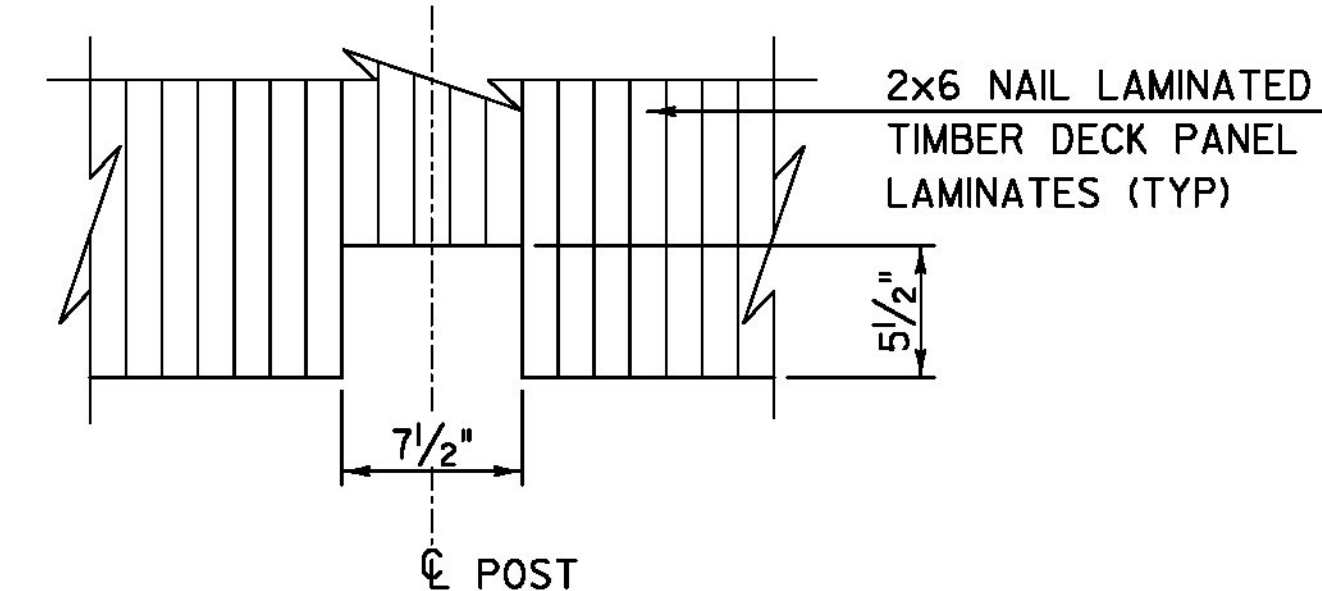
SCALE: 1/2" = 1'-0"



- o INDICATES NAILS IN FIRST LAMINATION
  - x INDICATES NAILS IN SECOND LAMINATION
  - + INDICATES NAILS IN THIRD LAMINATION
  - INDICATES NAILS IN THE FIRST BOARD ONLY
- REVERSED NAILING DIRECTION

**RAMP DECK PANEL - NAIL PATTERN**

SCALE: 1/2" = 1'-0"



**POST BLOCK OUT DETAIL**

SCALE: 1/2" = 1'-0"

PROJECT NAME: BROOKFIELD  
PROJECT NUMBER: BRF FLBR(2)

**TYLIN** INTERNATIONAL

FILE NAME: z12el34bdr-deckpanel.dgn  
PROJECT LEADER: J. OLUND  
DESIGNED BY: T. POULIN  
RAMP DECK PANELS

PLOT DATE: 12/3/2013  
DRAWN BY: S. MORGAN  
CHECKED BY: S. KELLER  
SHEET 44 OF 70