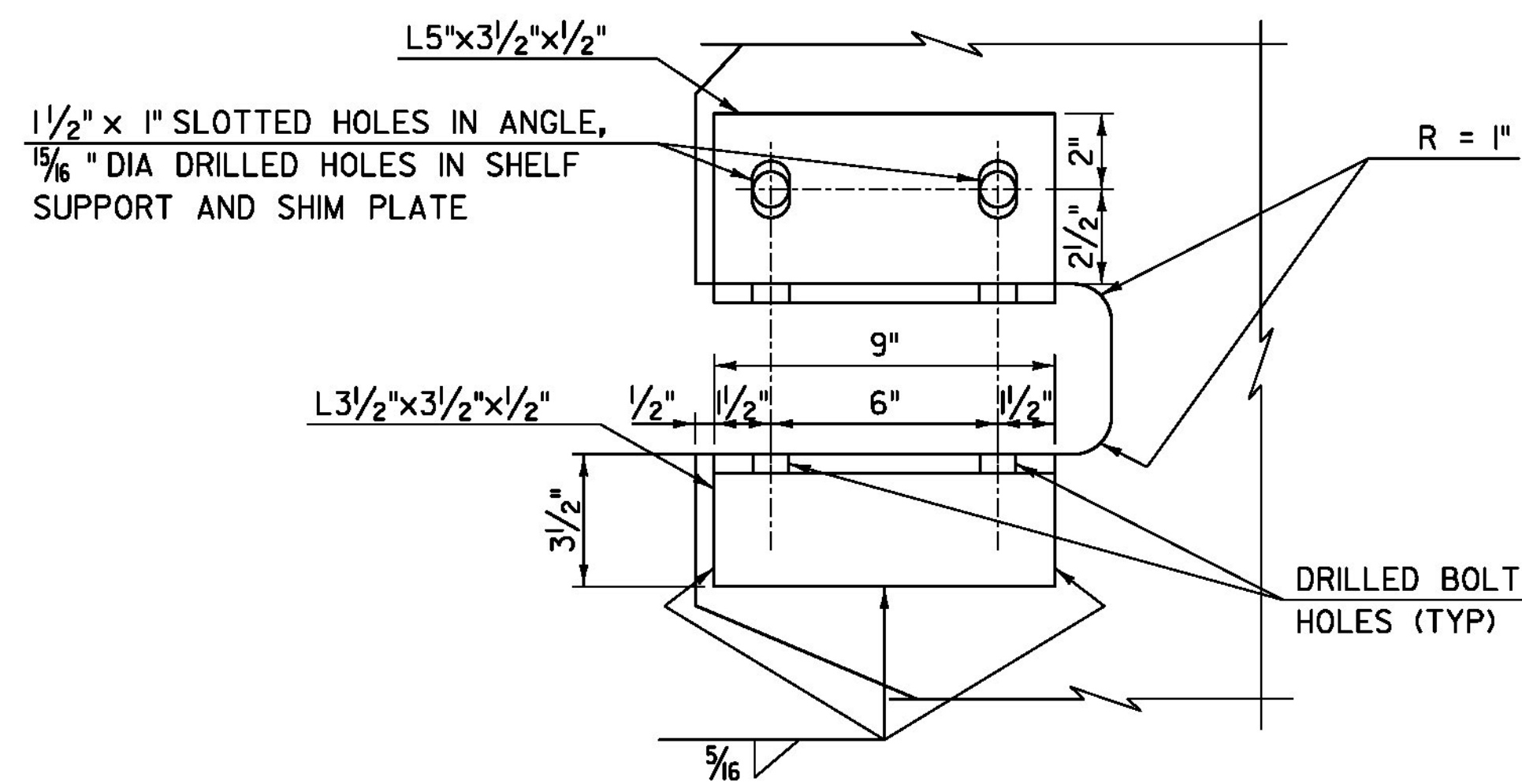
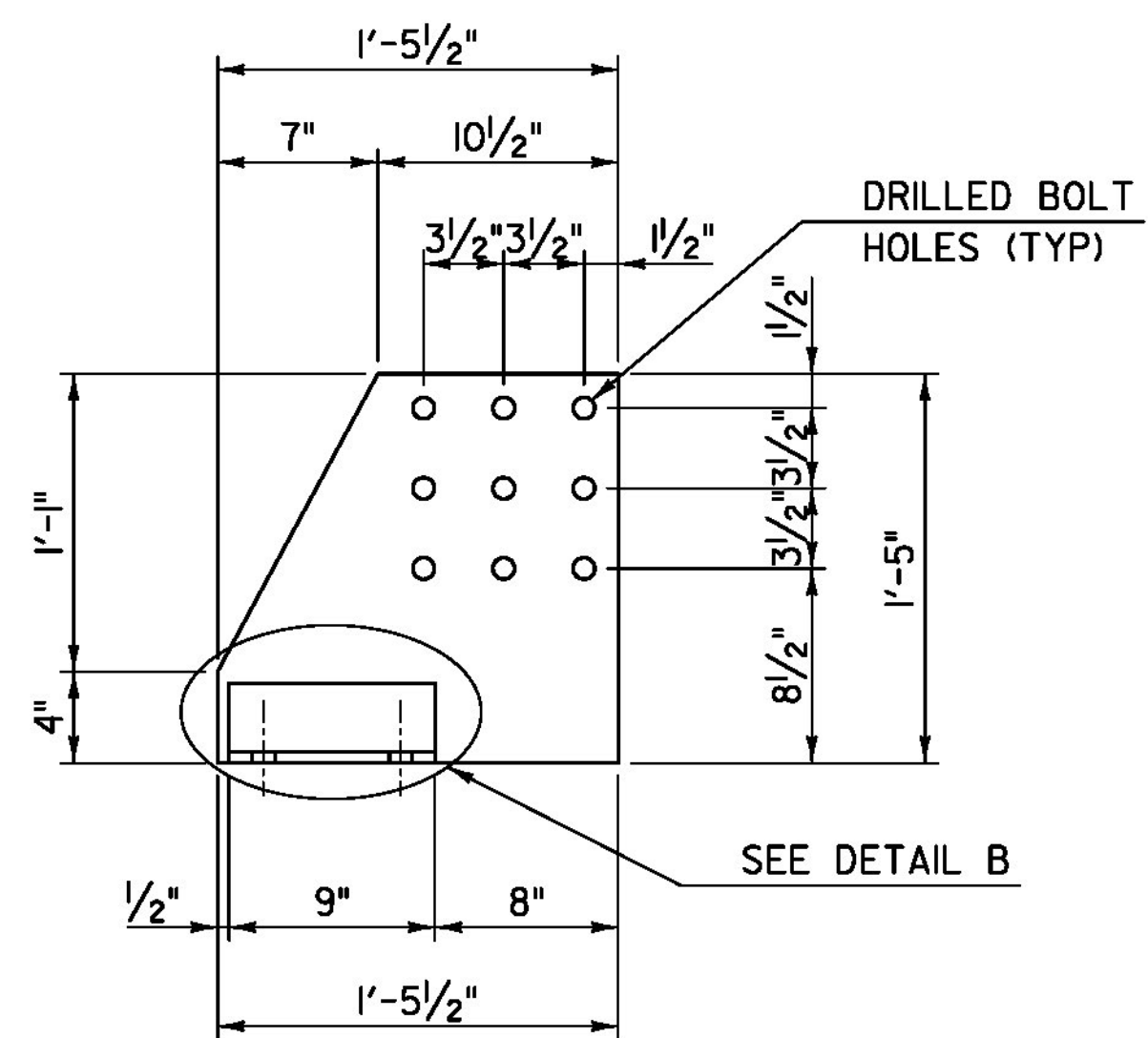


**INTERIOR WEB SHELF SUPPORT PLATE**

SCALE: 1/2" = 1'-0"  
(6 REQUIRED PER SHELF)

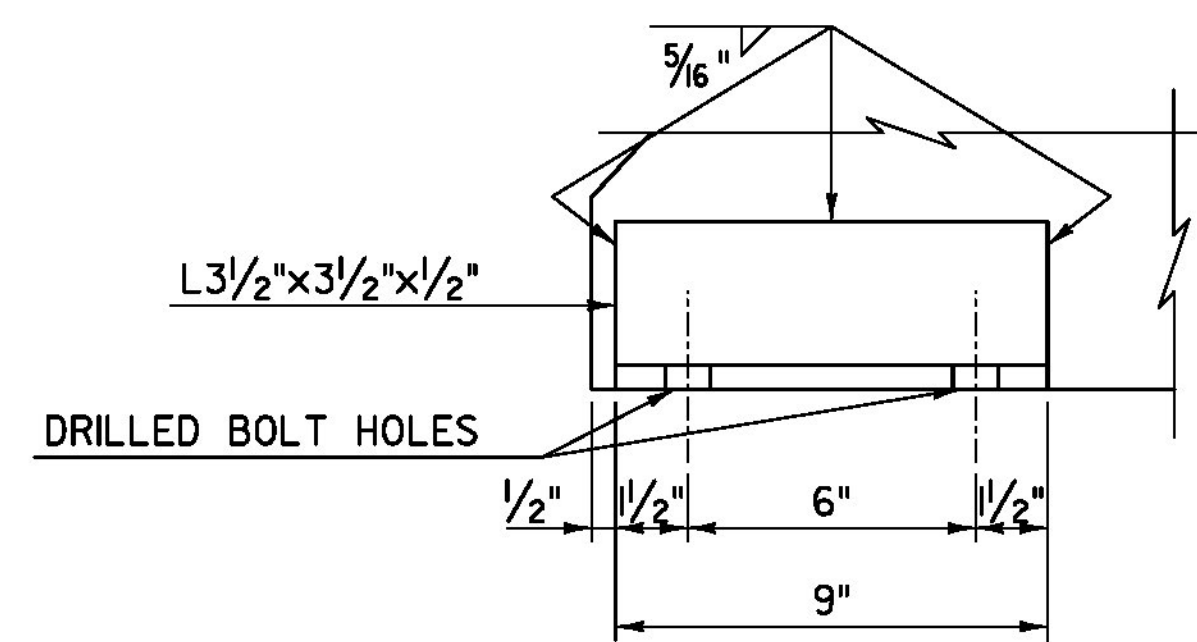


**DETAIL A**  
SCALE: 3" = 1'-0"



**EXTERIOR WEB SHELF SUPPORT PLATE**

SCALE: 1/2" = 1'-0"  
(4 REQUIRED PER SHELF)



**DETAIL B**  
SCALE: 3" = 1'-0"

**TYLIN** INTERNATIONAL

PROJECT NAME: BROOKFIELD  
PROJECT NUMBER: BRF FLBR(2)

FILE NAME: z12e134bdr-frpshelf2.dgn  
PROJECT LEADER: J. OLUND  
DESIGNED BY: D. MYERS  
RAMP-RAFT STAINLESS STEEL SHELF 2

PLOT DATE: 12/3/2013  
DRAWN BY: S. MORGAN  
CHECKED BY: J. OLUND  
SHEET 40 OF 70