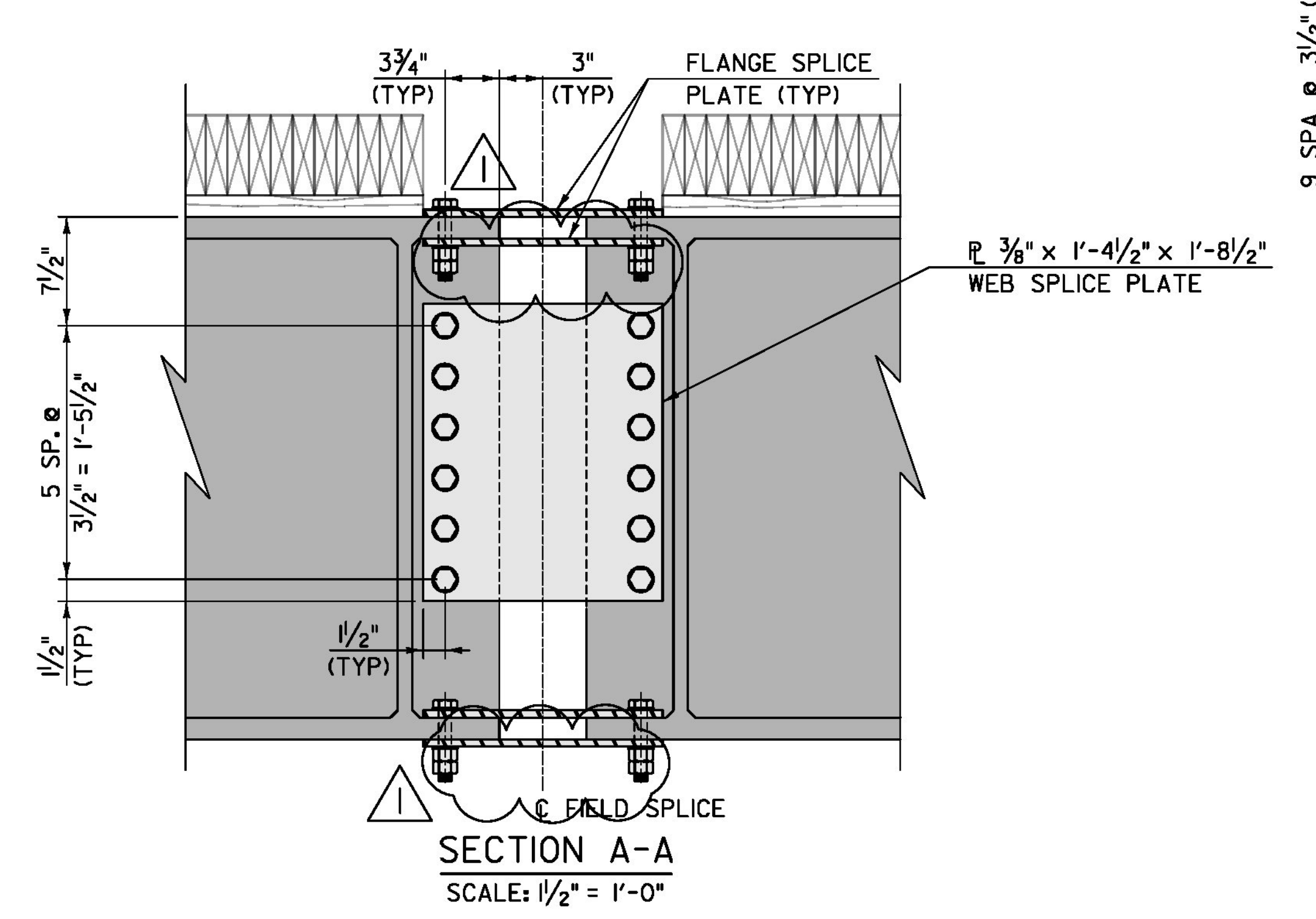
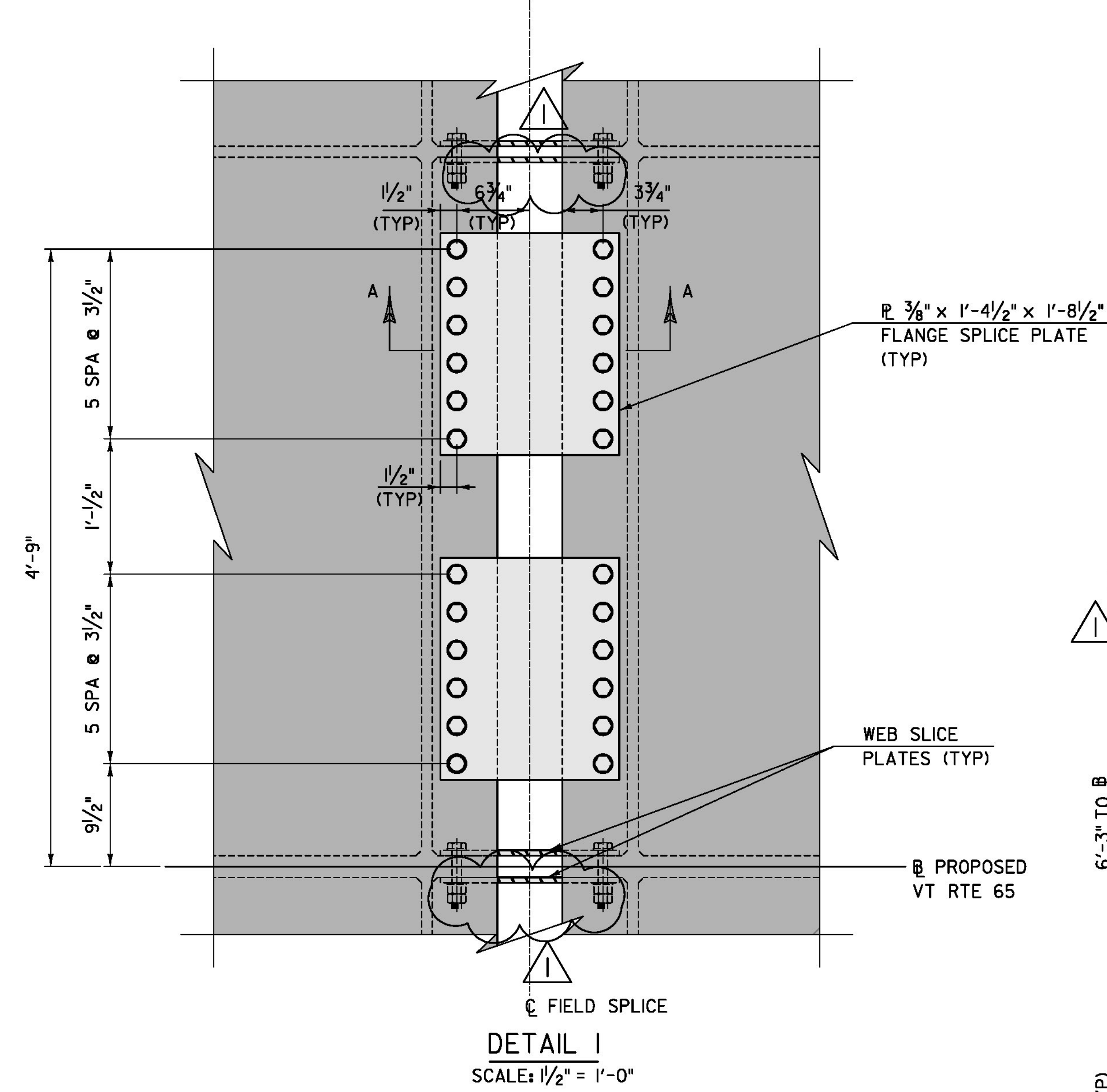


FIELD SPlice PLAN
TOP AND BOTTOM FLANGE SPLIT VIEW
 SCALE: 1/2" = 1'-0"
 (4 TOTAL FIELD SPlice ASSEMBLIES REQUIRED)

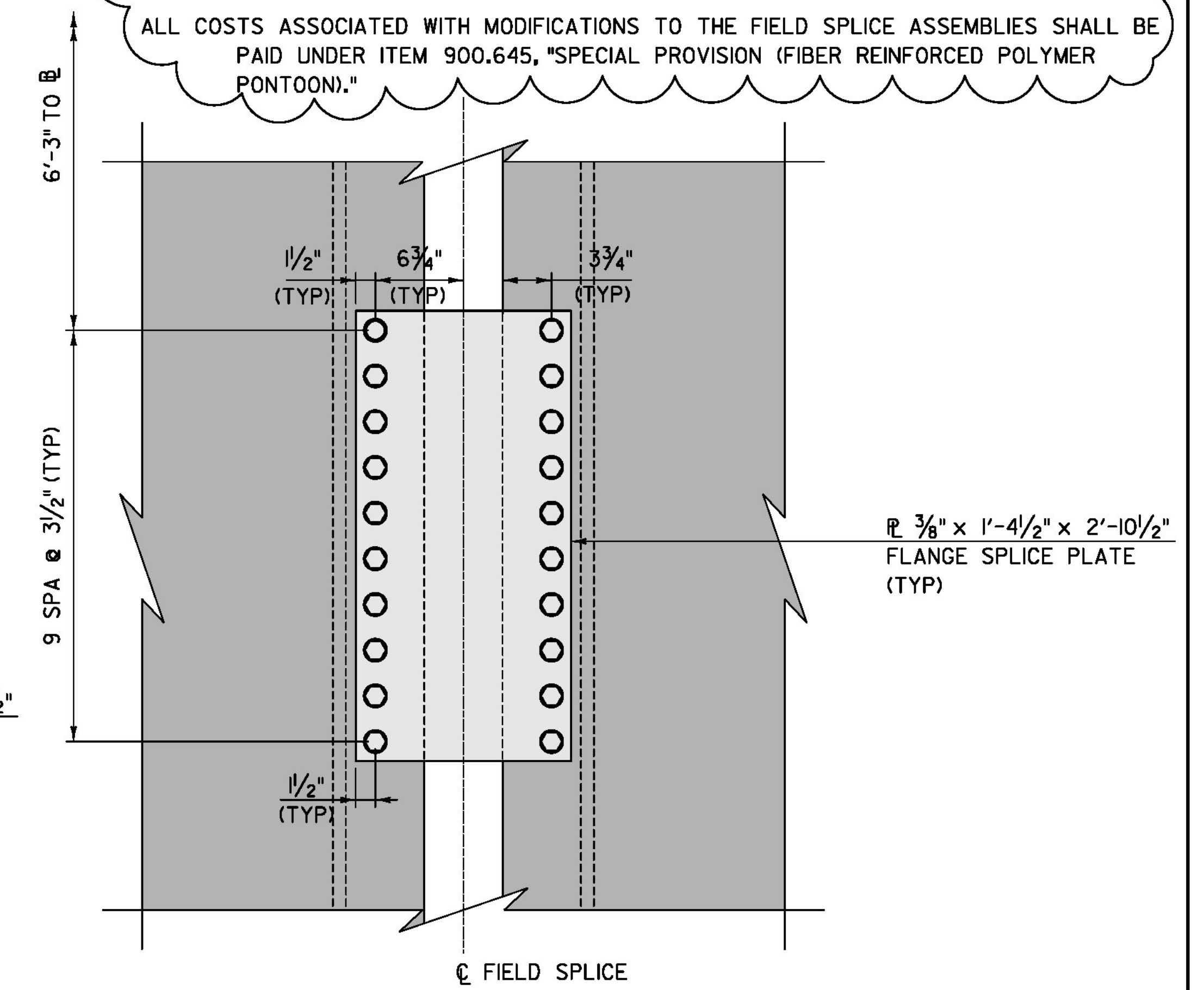


FIELD SPlice NOTES:

1. FIELD SPlice CONNECTIONS TO FRP SHALL BE DESIGNED AS BEARING CONNECTIONS; SLIP CRITICAL (FRICTION BASED) CONNECTION DESIGN IS NOT ALLOWED.
2. BOLTS USED IN THE FIELD SPlice ASSEMBLIES SHALL BE 7/8" DIA THROUGH 1 5/16" DIA HOLES.
3. THE FACTORED PIN BEARING FORCE PER BOLT ACTING ON THE FRP FLANGE PLATES IS 19.4 KIPS. THIS FORCE SHALL BE TAKEN TO ACT PARALLEL WITH THE BASELINE.
4. THE FACTORED PIN BEARING FORCE PER BOLT ACTING ON THE FRP WEB PLATES IS 12.3 KIPS. THIS FORCE SHALL BE TAKEN TO ACT IN ANY RADIAL DIRECTION WITH RESPECT TO THE BOLT LONGITUDINAL AXIS.
5. FIELD SPlice ASSEMBLIES SHALL MEET THE REQUIREMENTS OF, AND BE PAID, UNDER ITEM 900.645, "SPECIAL PROVISION (FIBER REINFORCED POLYMER PONTOON)". FIELD SPlice ASSEMBLIES INCLUDE ALL SPlice PLATES, BOLTS, NUTS, WASHERS, AND ALL LABOR AND INCIDENTALS NEEDED TO COMPLETE THE WORK AS SHOWN.

6. THE CONTRACTOR MAY ALTER THE LAYOUT OF THE FIELD SPlice ASSEMBLIES. DESIGN CALCULATIONS AND FABRICATION DRAWINGS SHALL BE SUBMITTED TO THE ENGINEER FOR APPROVAL, IN ACCORDANCE WITH STANDARD SPECIFICATION SUBSECTION 105.03. THE FIELD SPlices SHALL EACH BE DESIGNED TO ACCOMMODATE THE FOLLOWING CONCURRENT FORCES:
 - ULTIMATE VERTICAL BENDING MOMENT = -3,210 KIP*FT TO 1,690 KIP*FT
 - ULTIMATE VERTICAL SHEAR, REVERSIBLE = 85 KIP
 - ULTIMATE TORSION, REVERSIBLE = 1,660 KIP*FT

ALL COSTS ASSOCIATED WITH MODIFICATIONS TO THE FIELD SPlice ASSEMBLIES SHALL BE PAID UNDER ITEM 900.645, "SPECIAL PROVISION (FIBER REINFORCED POLYMER PONTOON)."



DETAIL 2
 SCALE: 1/2" = 1'-0"

REVISION	DESCRIPTION	DATE
REVISION #1	ADDED NOTE AND DOUBLE NUT	2/4/2014

PROJECT NAME: BROOKFIELD
 PROJECT NUMBER: BRF FLBR(2)

TYLIN INTERNATIONAL	FILE NAME: z12e134bdr-splice.dgn	PLOT DATE: 2/5/2014
	PROJECT LEADER: J. OLUND	DRAWN BY: B. CARTER
	DESIGNED BY: J. OLUND	CHECKED BY: D. MYERS
	FRP RAFT FIELD SPICES	SHEET 38 OF 70