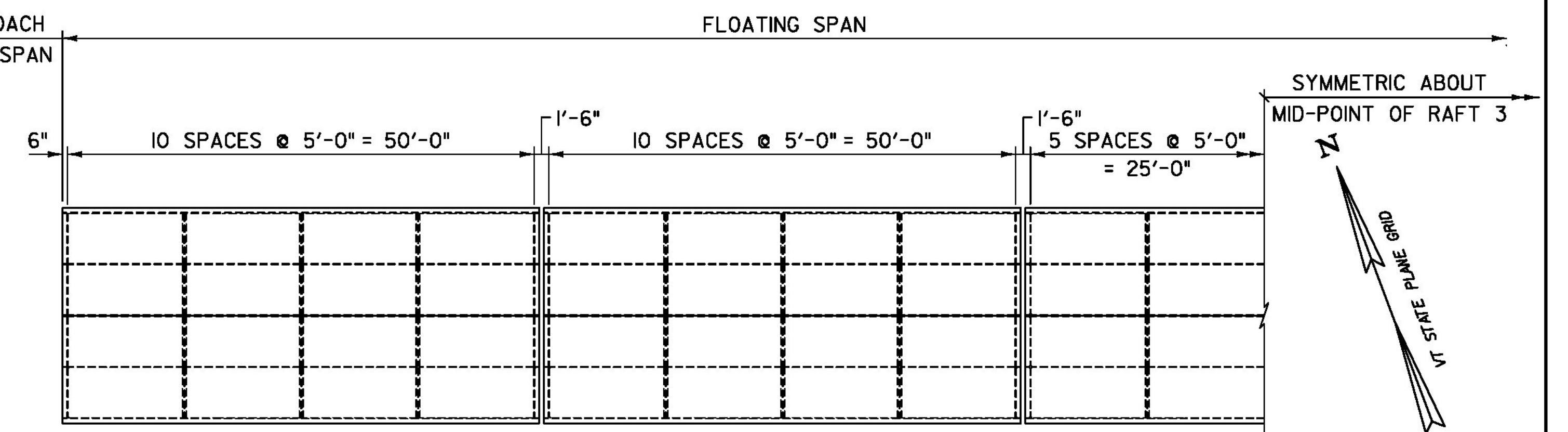
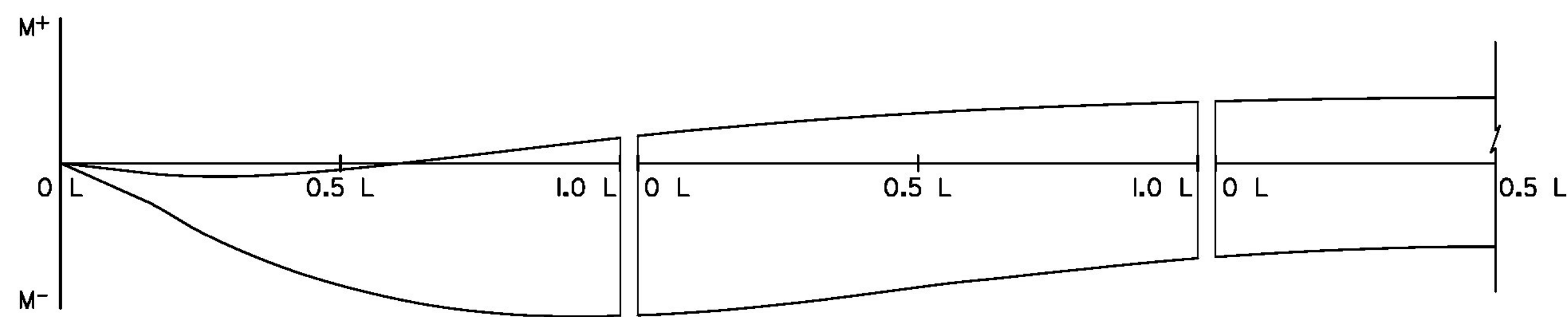


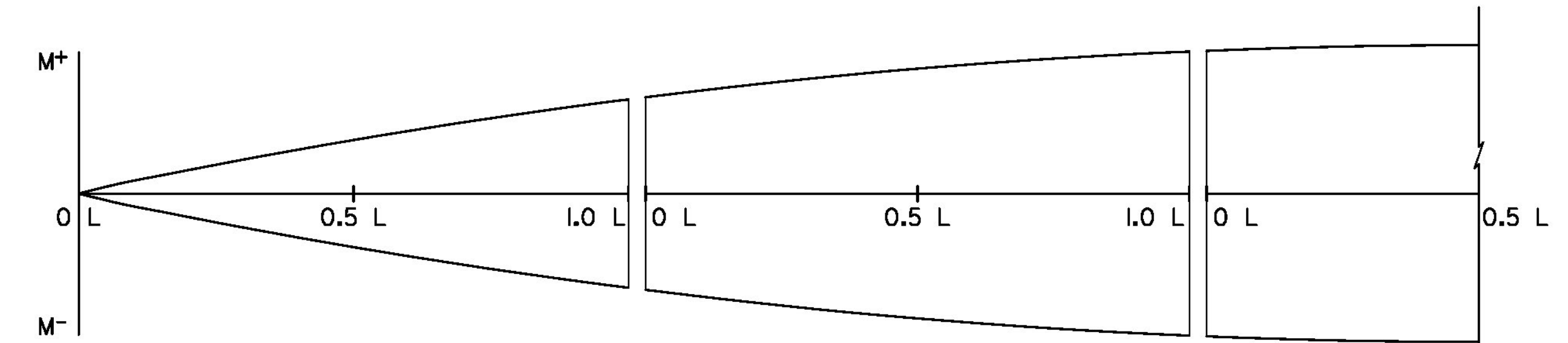
DESIGN VALUE LOCATION DIAGRAM
FLOATING SPAN ELEVATION VIEW
NOT TO SCALE



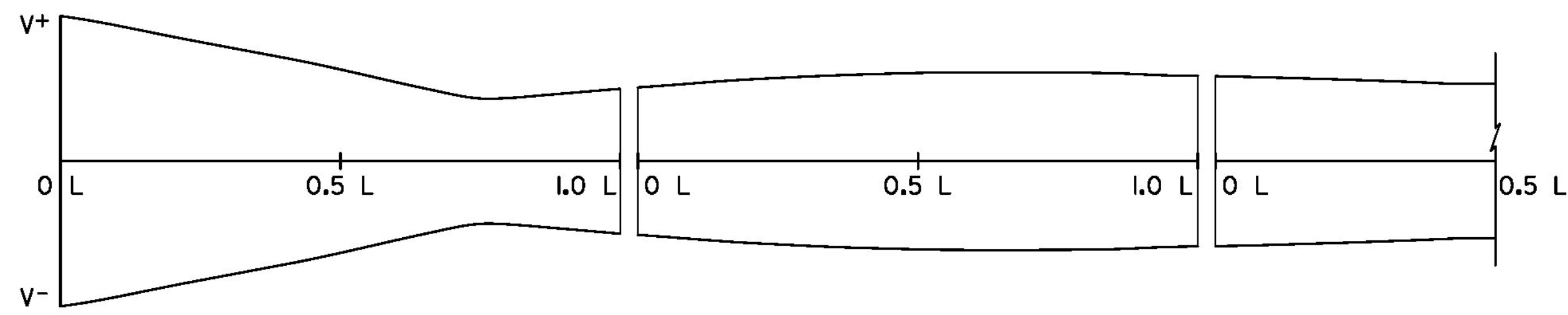
DESIGN VALUE LOCATION DIAGRAM
FLOATING SPAN PLAN VIEW
NOT TO SCALE



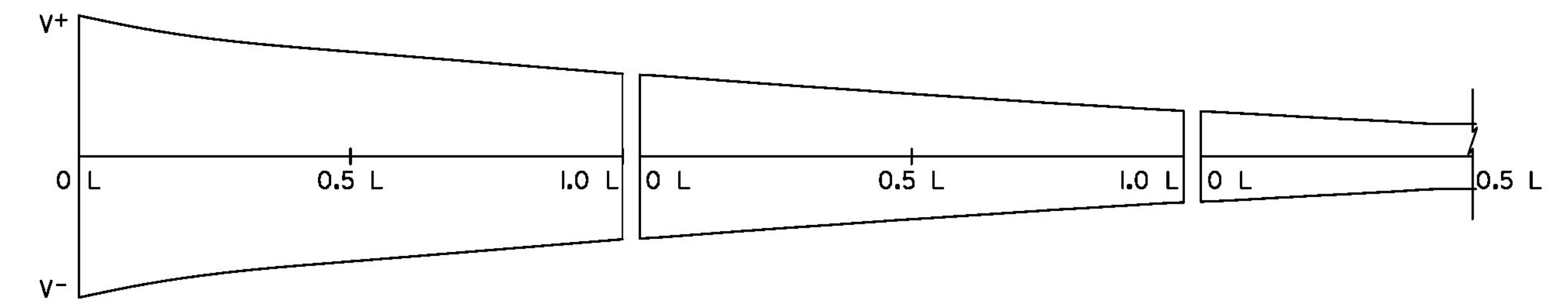
VERTICAL BENDING MOMENT ENVELOPE DIAGRAM
NOT TO SCALE



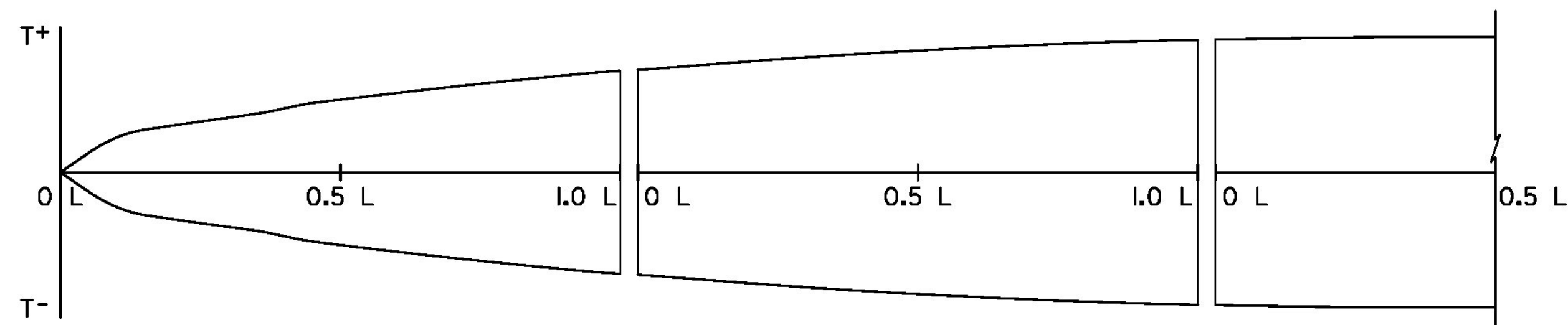
TRANSVERSE BENDING MOMENT ENVELOPE DIAGRAM
NOT TO SCALE



VERTICAL SHEAR ENVELOPE DIAGRAM
NOT TO SCALE



TRANSVERSE SHEAR ENVELOPE DIAGRAM
NOT TO SCALE



TORSION ENVELOPE DIAGRAM
NOT TO SCALE

NOTE:

1. DESIGN FORCE DIAGRAMS ARE GRAPHICAL ONLY; DESIGN VALUES CAN BE FOUND ON SHEET 37.

TYLIN INTERNATIONAL	PROJECT NAME: BROOKFIELD	FILE NAME: z12e134bdr-frpdlagr.dgn	PLOT DATE: 12/3/2013
	PROJECT NUMBER: BRF FLBR(2)	PROJECT LEADER: J. OLUND	DRAWN BY: S. MORGAN
		DESIGNED BY: J. OLUND	CHECKED BY: C. TAYLOR
		FRP RAFT LOADING DIAGRAMS 2	SHEET 36 OF 70