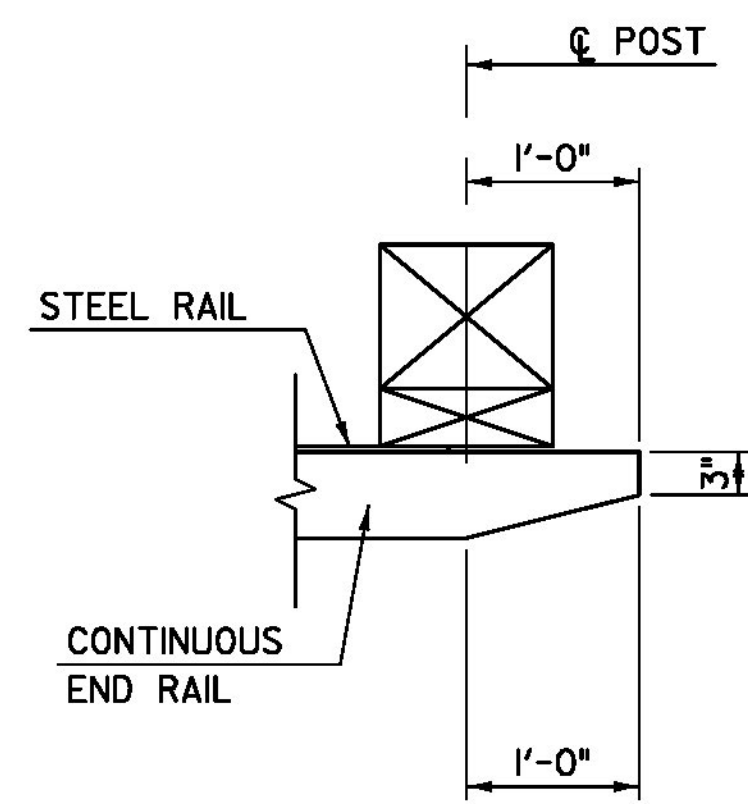


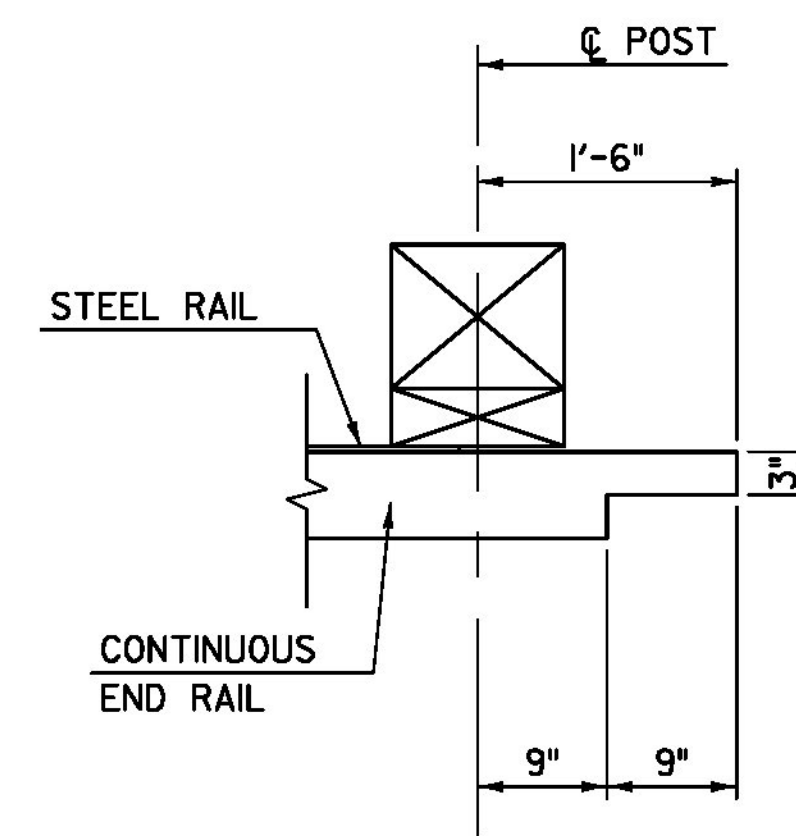
**POST DETAIL**

POST LOCATED AT THIS POINT (SEE POST LOCATION TABLE ON SHEET 17)



**RAILING DETAIL - APPROACH ENDS**

PLAN DETAIL FOR RAIL AT POSTS 1, 13, 24 & 28

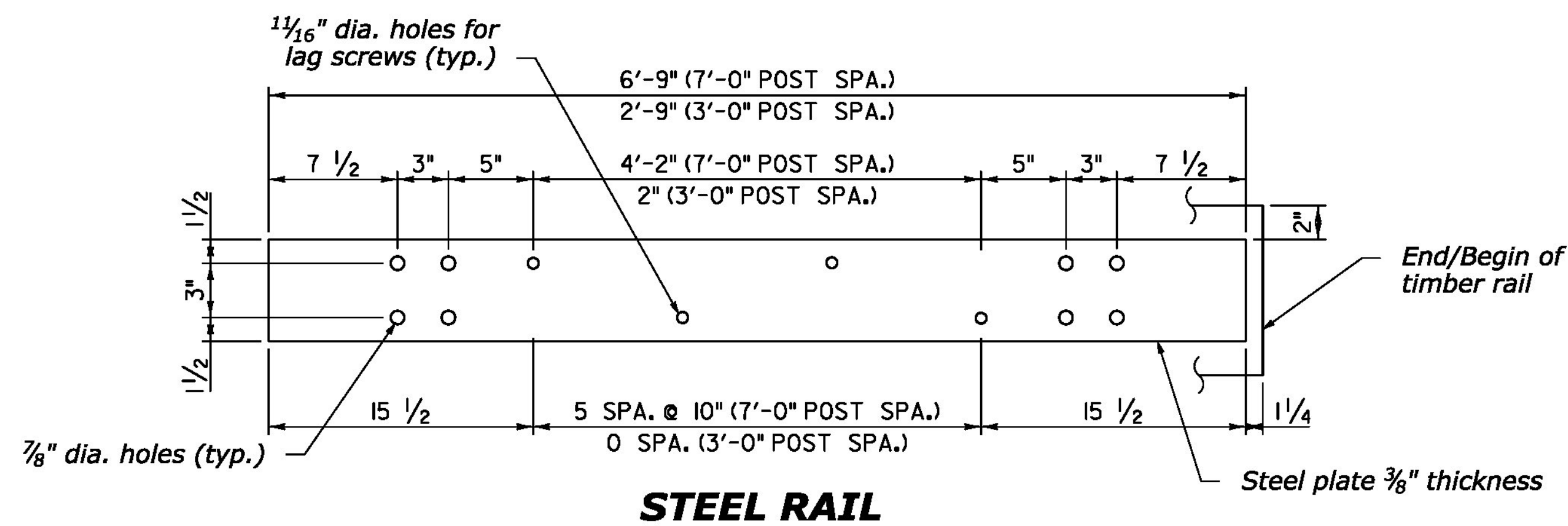


**RAILING DETAIL AT BRIDGE RAIL INTERFACE**

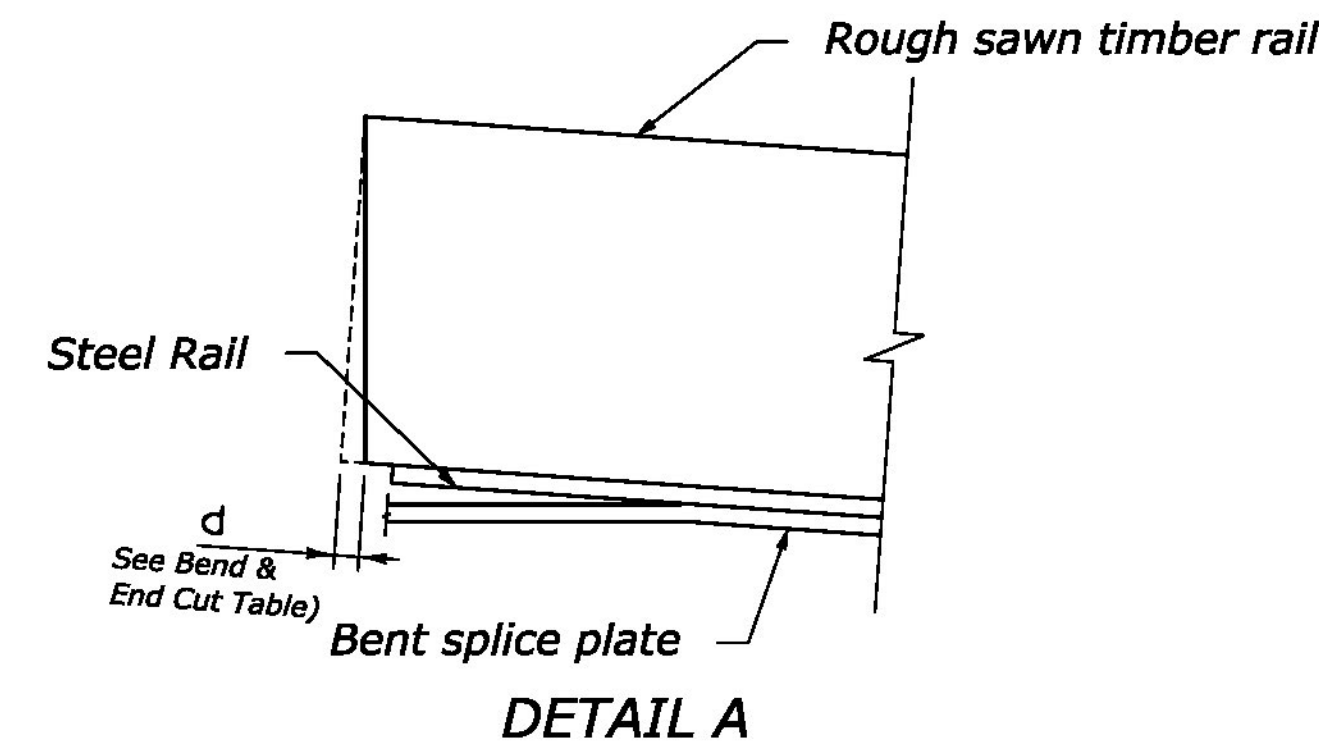
PLAN DETAIL FOR RAIL AT POSTS 12, 19, 20 & 25

**NOTE:**

1. Furnish shop bent splice plates. Use the minimum bend angle shown in the table below.
2. See Guardrail Layout Sheet for Plan View.

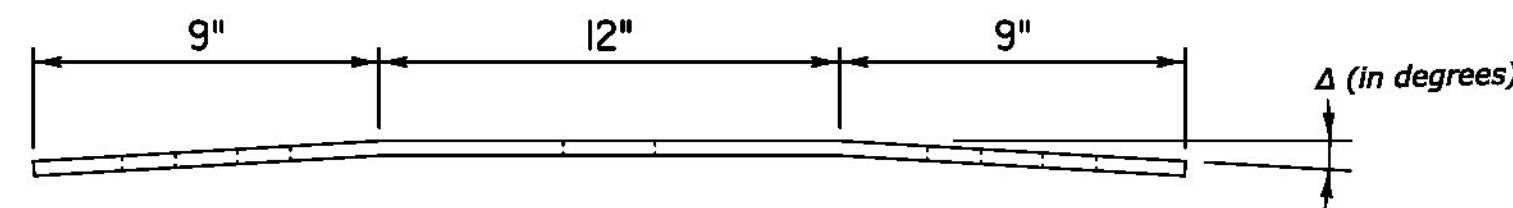


**STEEL RAIL**

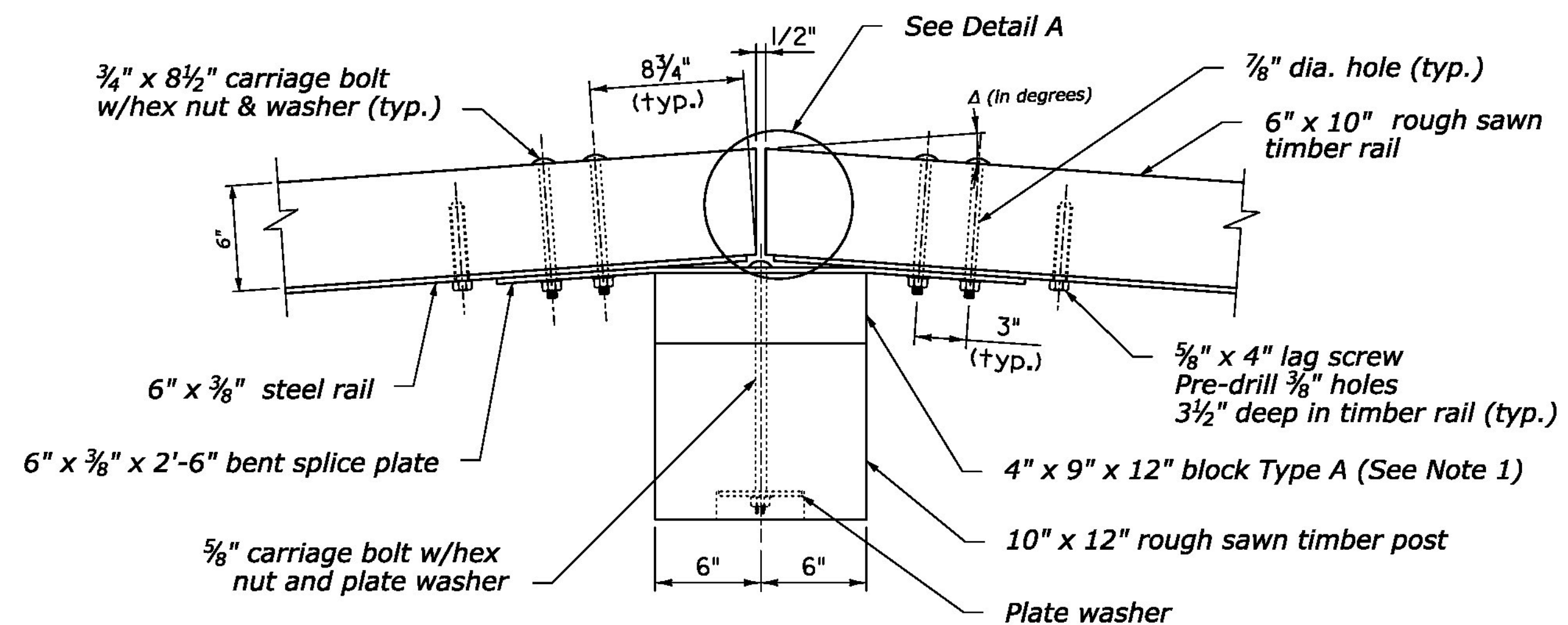


**DETAIL A**

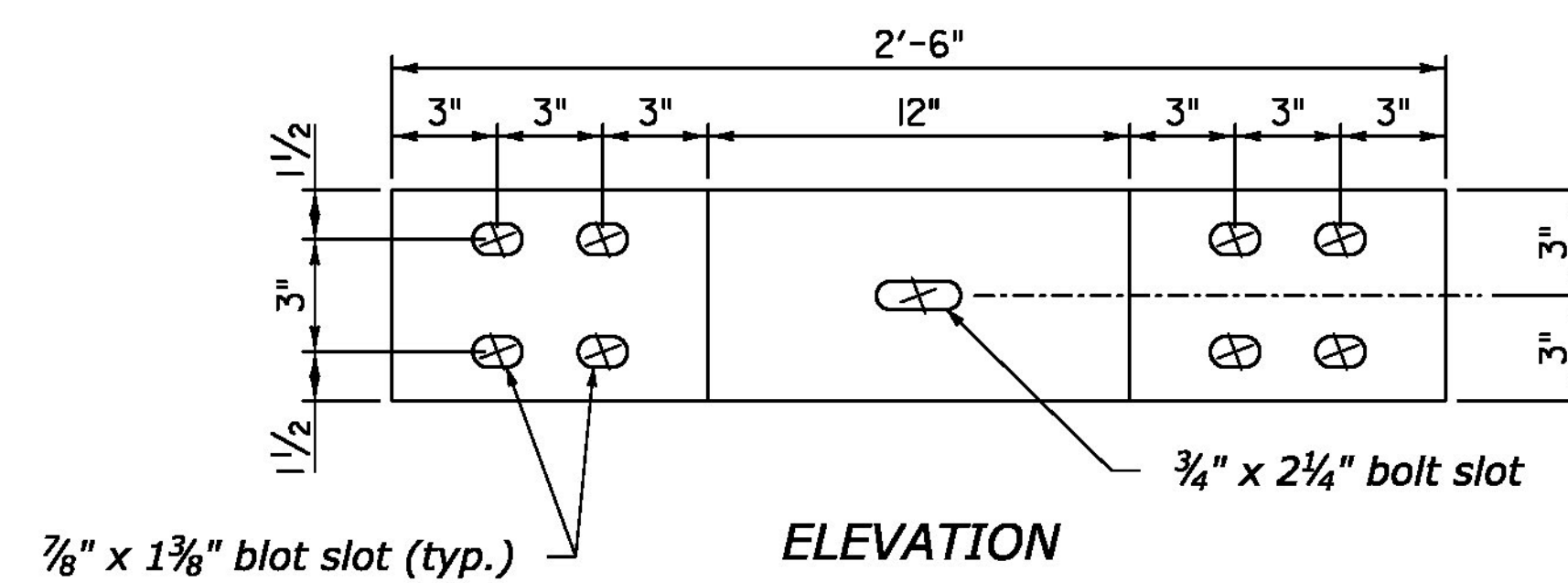
BEND AND END CUT TABLE			
POST #	BEND TYPE	$\Delta$ degrees	d in
4	CONVEX	2.21	1/4
10	CONCAVE	2.05	3/16
11	CONVEX	2.05	3/16
17	CONVEX	2.41	1/4
22	CONVEX	3.81	3/8
26	CONVEX	4.07	7/16
27	CONVEX	4.34	7/16



**PLAN**



**PLAN**



**BENT SPLICE PLATE**  
6" x 3/8" x 2'-6"

PROJECT NAME: BROOKFIELD  
PROJECT NUMBER: BRF FLBR(2)

**TYL** INTERNATIONAL

FILE NAME: z12el34bdr\_gr1.detsl.dgn  
PROJECT LEADER: J. OLUND  
DESIGNED BY: D. BURHANS  
TIMBER GUARDRAIL DETAILS - I

PLOT DATE: 12/3/2013  
DRAWN BY: P. MCCLURE  
CHECKED BY: D. BRYANT  
SHEET 18 OF 70