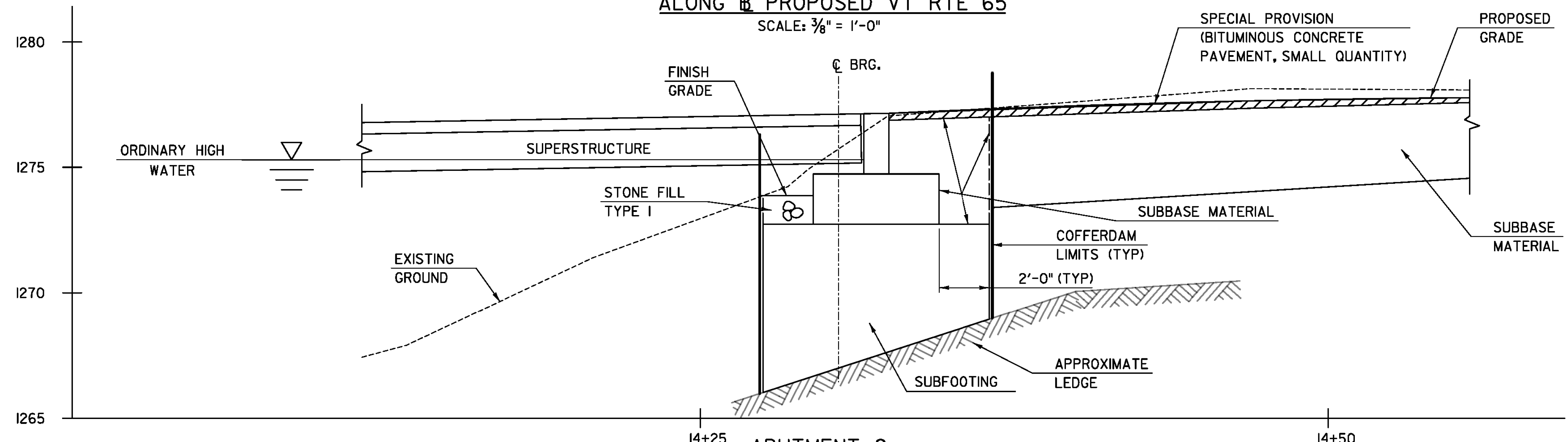
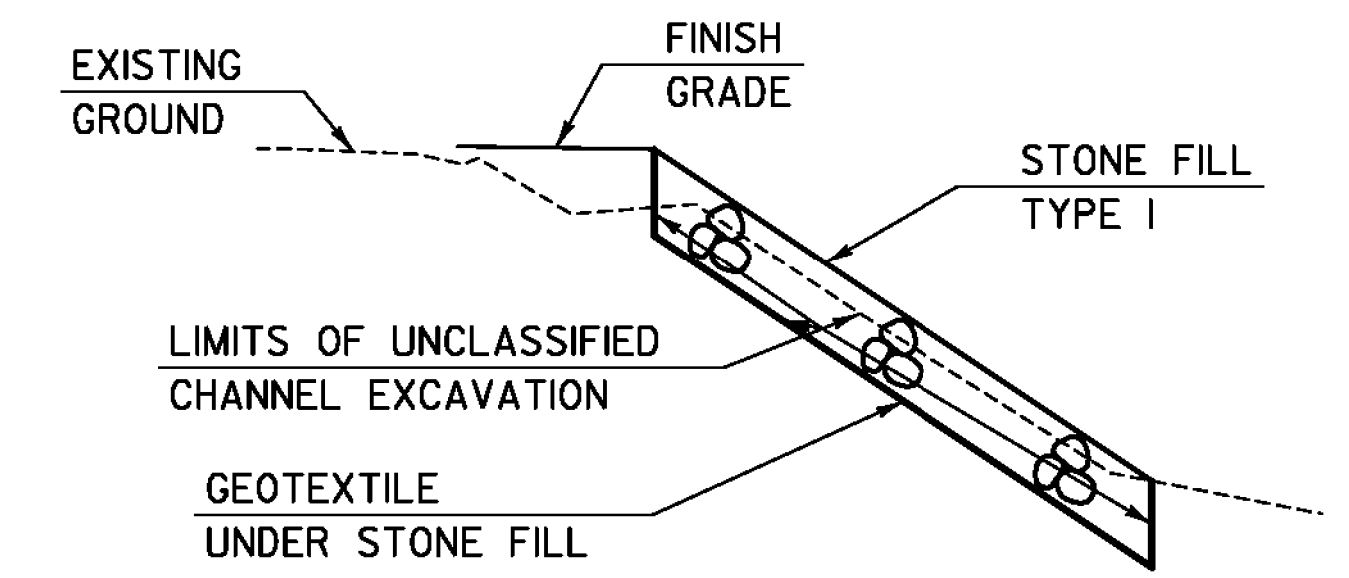


11+00 **ABUTMENT 1**  
**COFFERDAM AND EARTHWORK SECTION**  
**ALONG B PROPOSED VT RTE 65**  
 SCALE: 3/8" = 1'-0"



14+25 **ABUTMENT 2**  
**COFFERDAM AND EARTHWORK SECTION**  
**ALONG B PROPOSED VT RTE 65**  
 SCALE: 3/8" = 1'-0"



- NOTES:**
1. COFFERDAM DIMENSIONS TO BE DETERMINED BY THE CONTRACTOR.
  2. THE PAY LIMITS OF EITHER "COFFERDAM EXCAVATION, EARTH" OR "COFFERDAM EXCAVATION, ROCK" SHALL BE 2'-0" OUTSIDE THE PERIMETER OF THE FOOTING AND FROM BOTTOM OF EXCAVATION UP TO THE EXISTING GROUND OR BOTTOM OF SUBBASE, WHICHEVER IS LOWER.
  3. IF A COFFERDAM IS CONSTRUCTED WHICH IS LARGER THAN THE INDICATED COFFERDAM EXCAVATION PAY LIMITS, PAYMENT FOR ALL UNCLASSIFIED CHANNEL EXCAVATION, INCLUDING THAT PORTION WHICH IS INSIDE THE COFFERDAM BUT OUTSIDE THE COFFERDAM PAY LIMITS, WILL BE MADE AT THE CONTRACT UNIT PRICE FOR UNCLASSIFIED CHANNEL EXCAVATION. NO MEASUREMENT AND PAYMENT WILL BE MADE FOR COFFERDAM EXCAVATION AND GRANULAR BACKFILL FOR STRUCTURES OUTSIDE THE PAY LIMITS DEFINED IN NOTE 2.
  4. USE A 17" UNDERCUT, IF DETERMINED NECESSARY BY ENGINEER.

<b>TYLINT</b> INTERNATIONAL	PROJECT NAME: BROOKFIELD	FILE NAME: z12e134bdrear+htyp.dgn	PLOT DATE: 12/3/2013
	PROJECT NUMBER: BRF FLBR(2)	PROJECT LEADER: J. OLUND	DRAWN BY: B. CARTER
		DESIGNED BY: J. OLUND	CHECKED BY: R. HEBERT
		EARTHWORK TYPICAL SECTIONS	SHEET 6 OF 70