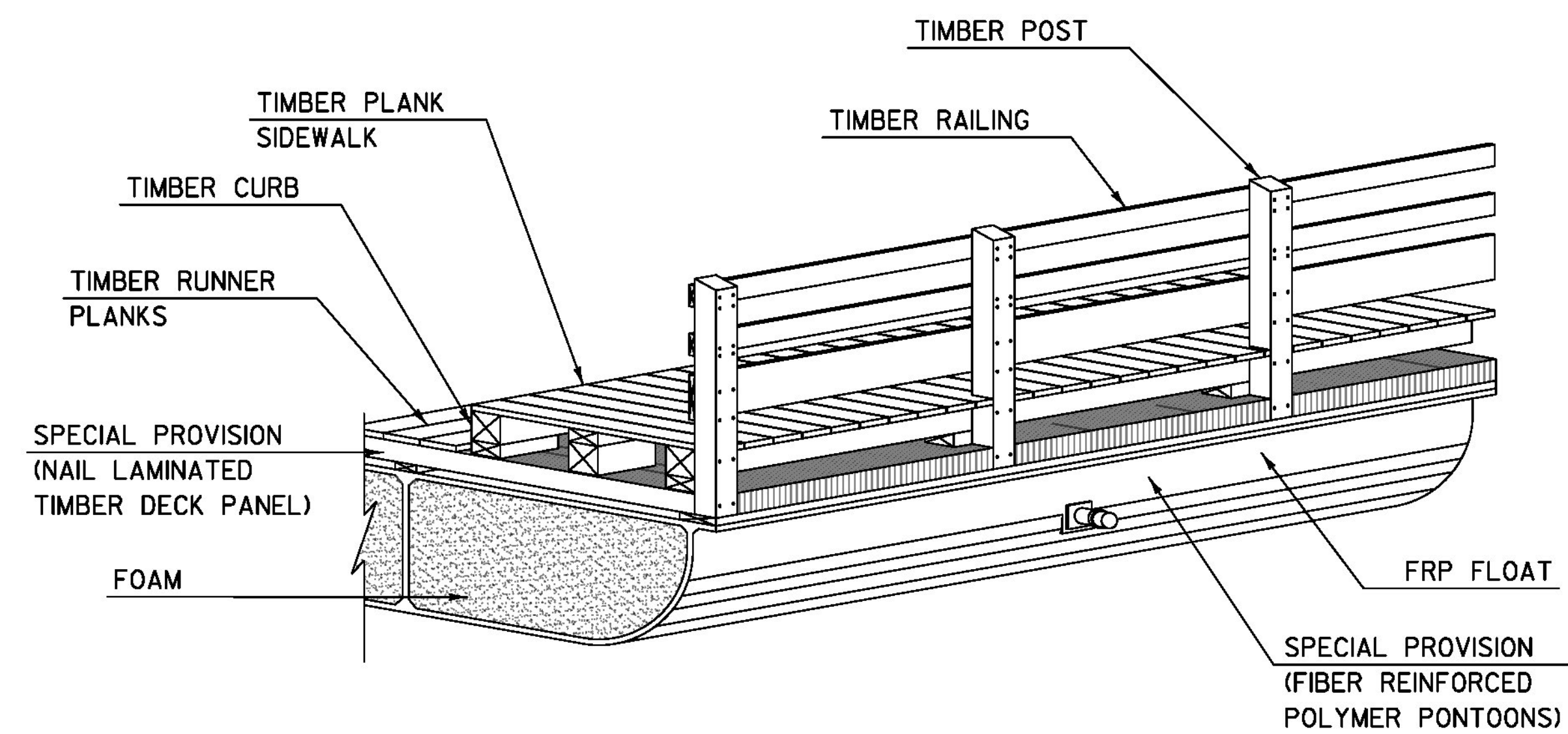


FLOAT ISOMETRIC
NOT TO SCALE



FLOAT ISOMETRIC - CURB SECTION
NOT TO SCALE

NOTE: ISOMETRIC DRAWINGS ARE GRAPHICAL REPRESENTATIONS ONLY.

TYLIN INTERNATIONAL

PROJECT NAME: BROOKFIELD
PROJECT NUMBER: BRF FLBR(2)

FILE NAME: z12e134bdr-frp_iso.dgn
PROJECT LEADER: J. OLUND
DESIGNED BY: T. POULIN
ISOMETRIC VIEWS

PLOT DATE: 12/3/2013
DRAWN BY: S. MORGAN
CHECKED BY: J. OLUND
SHEET 5 OF 70