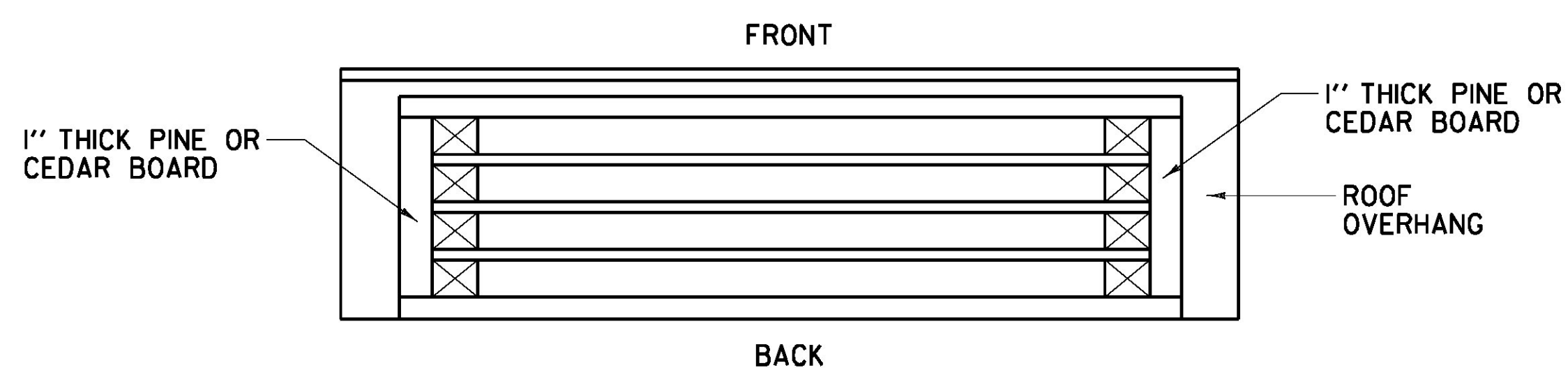
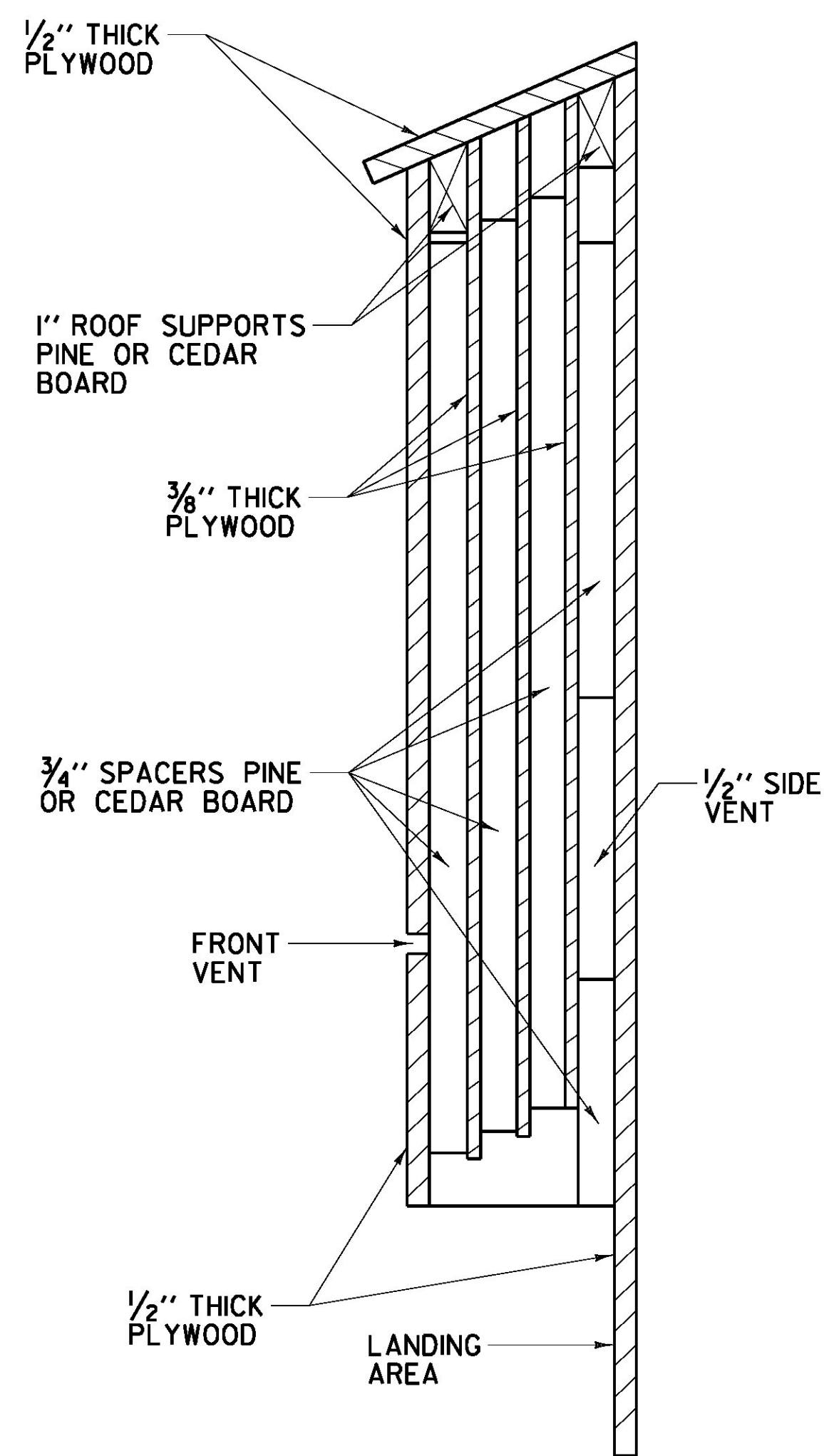


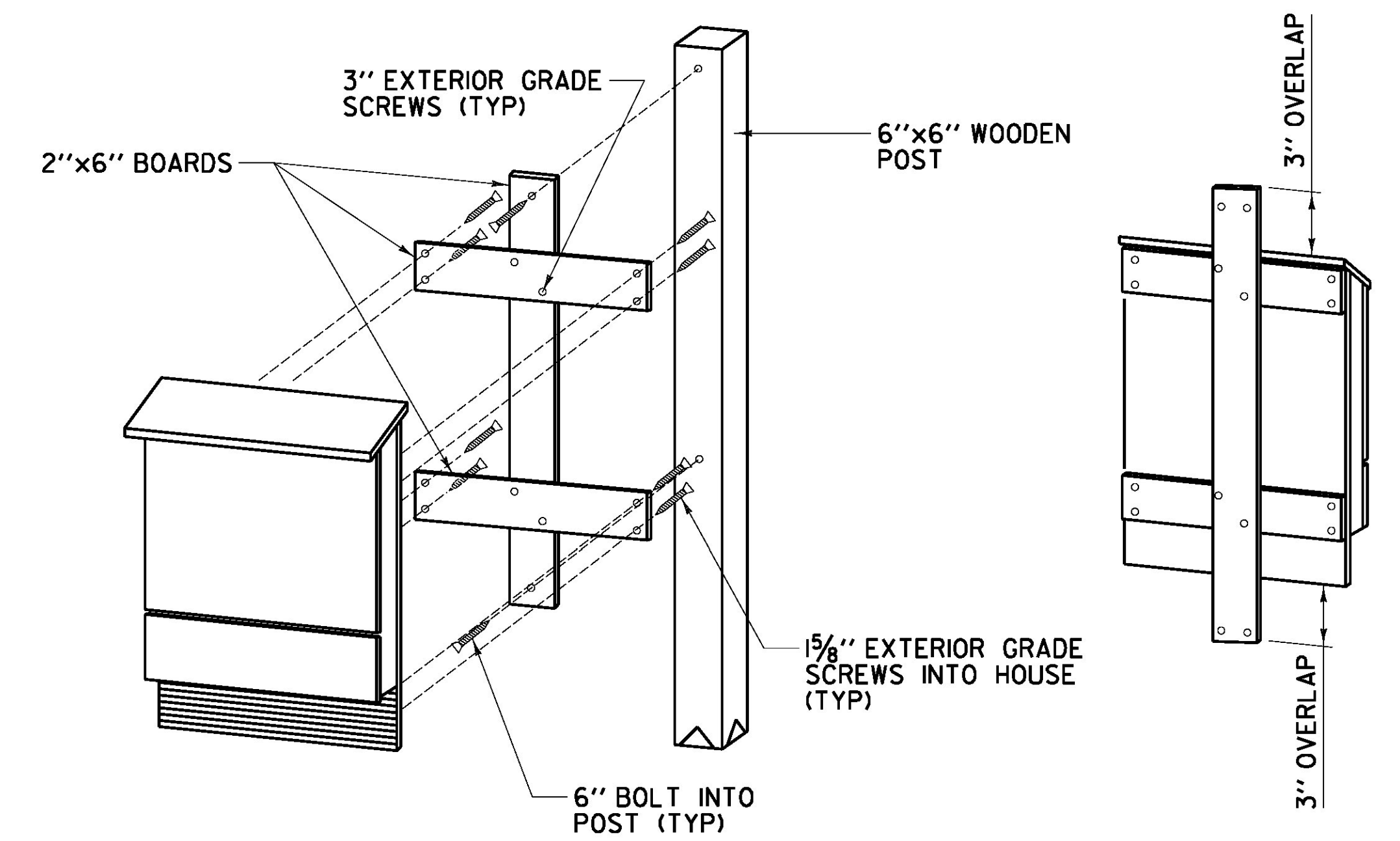
**900.620 SPECIAL PROVISION (BAT HOUSE)**



**BOTTOM VIEW**



**SIDE VIEW**



**POST MOUNT DETAIL**

**NOTES:**

1. BEFORE ATTACHING ANY PIECES, ROUGHEN THE INTERIOR AND LANDING SURFACES BY CUTTING HORIZONTAL GROOVES IN THE BOARDS. TRY TO SPACE THE GROOVES 1/4" TO 1/2" APART AND 1/16" DEEP.
2. APPLY TWO COATS OF DARK, WATER-BASED STAIN TO THE INTERIOR SURFACES. PAINT OR STAIN THE EXTERIOR THREE TIMES (THE FIRST TIME WITH PRIMER).
3. USE 1" EXTERIOR-GRADE SCREWS TO ATTACH THE 5" AND 10" SPACERS TO THE INSIDE CORNERS AND TO ATTACH ROOF SUPPORTS TO THE FRONT AND BACK PIECES. USE 1/4" COATED DECK OR EXTERIOR GRADE SCREWS TO ATTACH ROOF TO SIDE PIECES AND ROOF SUPPORTS. USE 1 5/8" COATED DECK OR EXTERIOR GRADE SCREWS TO ATTACH SIDE PIECES TO BACK AND TO ATTACH 20" SPACERS TO INSIDE PARTITION PIECES. ENSURE SCREWS DO NOT PROTRUDE INTO ROOSTING CHAMBERS.
4. CAULKING SHOULD BE USED TO SEAL ROOF AND SIDE JOINTS AND MAY BE USED IN ADDITION TO SCREWS TO JOIN PIECES.
5. COVER ROOF WITH SHINGLES OR GALVANIZED METAL.
6. MOUNT HOUSE ON WOODEN POST AS SHOWN IN THE MOUNTING DETAIL. A MINIMUM OF 10' OF POST SHOULD BE ABOVE GROUND (12'-20' IS PREFERRED), WITH AT LEAST 3 FEET BELOW GROUND AND SECURED WITH CONCRETE.
7. WHEN INSTALLING BAT HOUSE, CHOOSE A LOCATION THAT HAS AT LEAST 6-8 HOURS OF DIRECT SUNLIGHT AND IS 20'-25' FROM THE NEAREST TREE BRANCHES, WIRES OR OTHER POTENTIAL PREDATOR PERCHES.

NOT TO SCALE

<b>MISCELLANEOUS DETAILS SHEET #10</b>	PROJECT NAME: LAKE CHAMPLAIN SITE RESTORATION	
	PROJECT NUMBER: STP 032-K18)	
	FILE NAME: z12E008_msd.10.dgn	PLOT DATE: 7/12/2012
	PROJECT LEADER: D.E.G.	DRAWN BY: W.G.P.
	DESIGNED BY: B.T.H.	CHECKED BY: D.E.G.
	DWG. NO.: MD-10	SHEET 70 OF 100