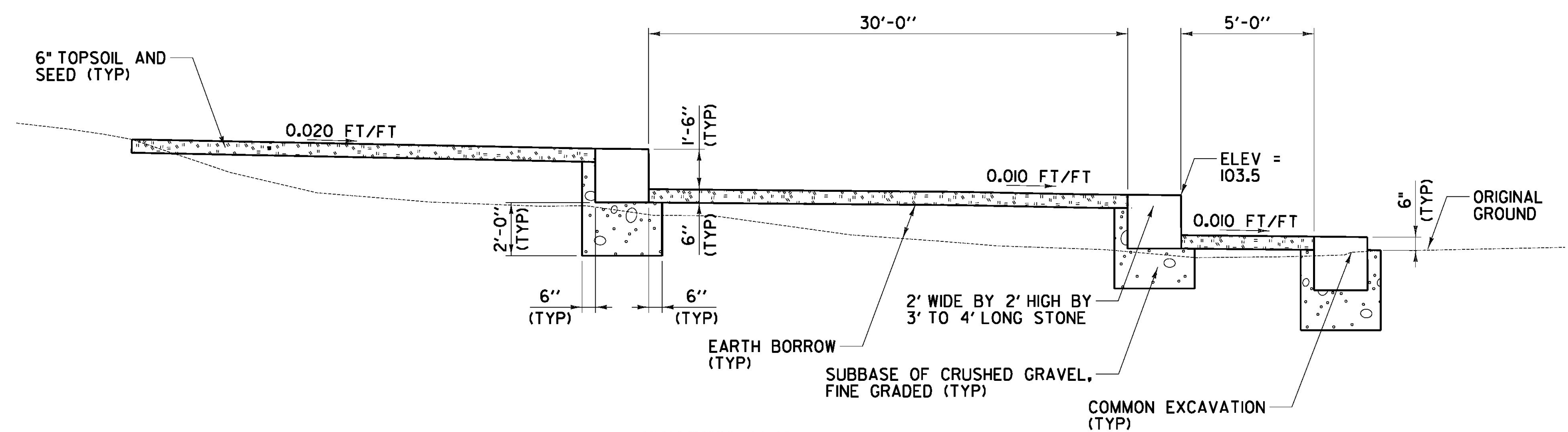
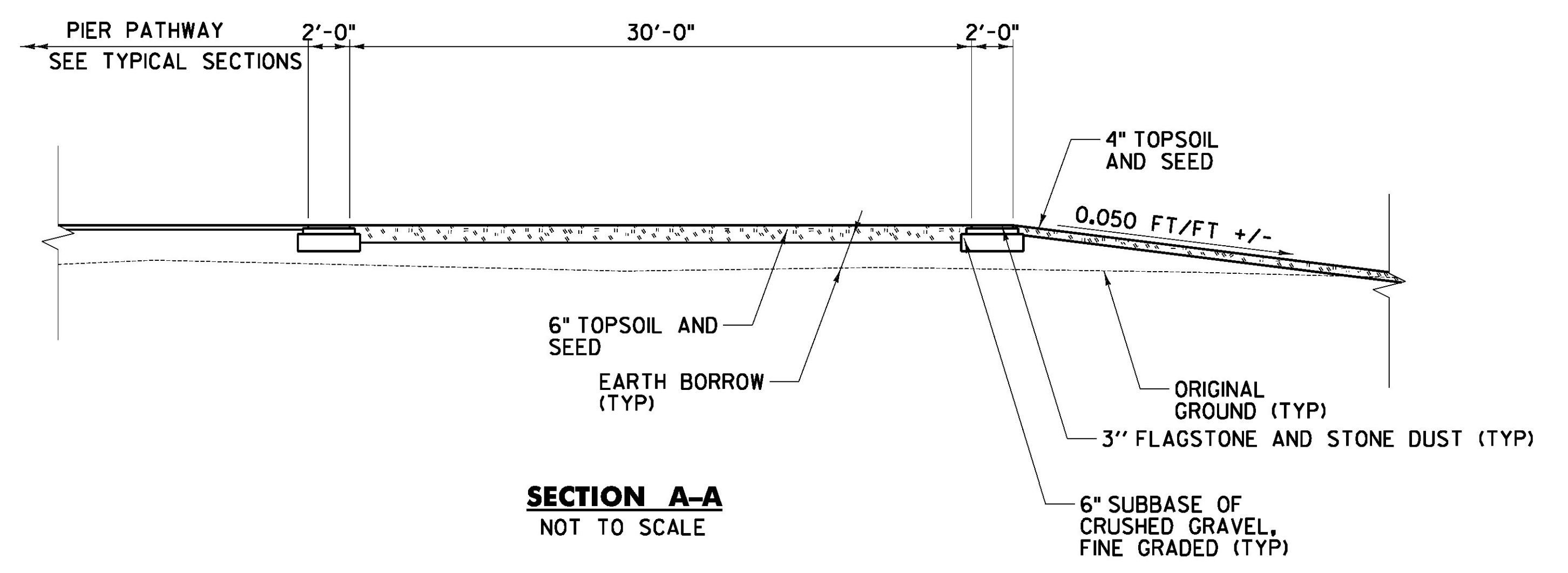
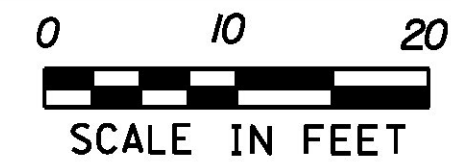


900.620 SPECIAL PROVISION (AMPHITHEATER) PLAN



NOTE:
1. ALL WORK ASSOCIATED WITH AMPHITHEATER FABRICATION AND CONSTRUCTION AS SHOWN ON THIS SHEET, INCLUDES THE COMMON EXCAVATION, EARTH BORROW, STONE, SUBBASE, TOPSOIL, FLAGSTONE PAVERS, STONE DUST AND SEED, SHALL BE INCLUDED IN THE UNIT PRICE BID FOR ITEM 900.620 SPECIAL PROVISION (AMPHITHEATER).

MISCELLANEOUS DETAILS SHEET #8	PROJECT NAME: LAKE CHAMPLAIN SITE RESTORATION
	PROJECT NUMBER: STP 032-1(18)
	FILE NAME: z12E008_msd_08.dgn
	DWG. NO.: MD-8
	PLOT DATE: 7/12/2012
	DRAWN BY: W.G.P.
	DESIGNED BY: B.T.H.
	CHECKED BY: D.E.G.
	SHEET 68 OF 100

FILE NAME = I:\2012\30\ACADD\MSTN\12E008_msd_08.dgn
 DATE/TIME = 7/12/2012 10:46:56
 USER = 4666