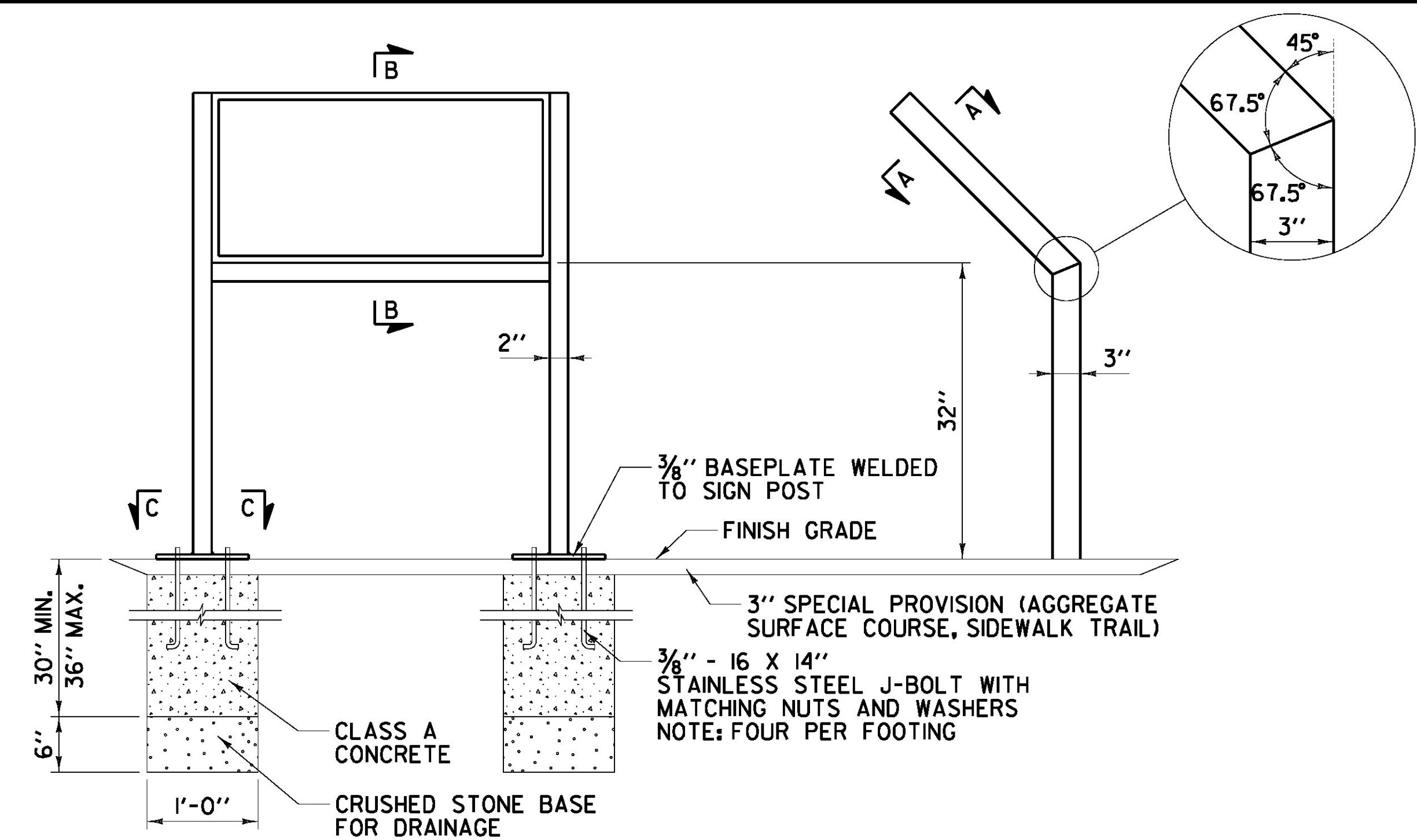


900.640 SPECIAL PROVISION (WOOD POST AND CHAIN FENCE) DETAIL

NOTES:

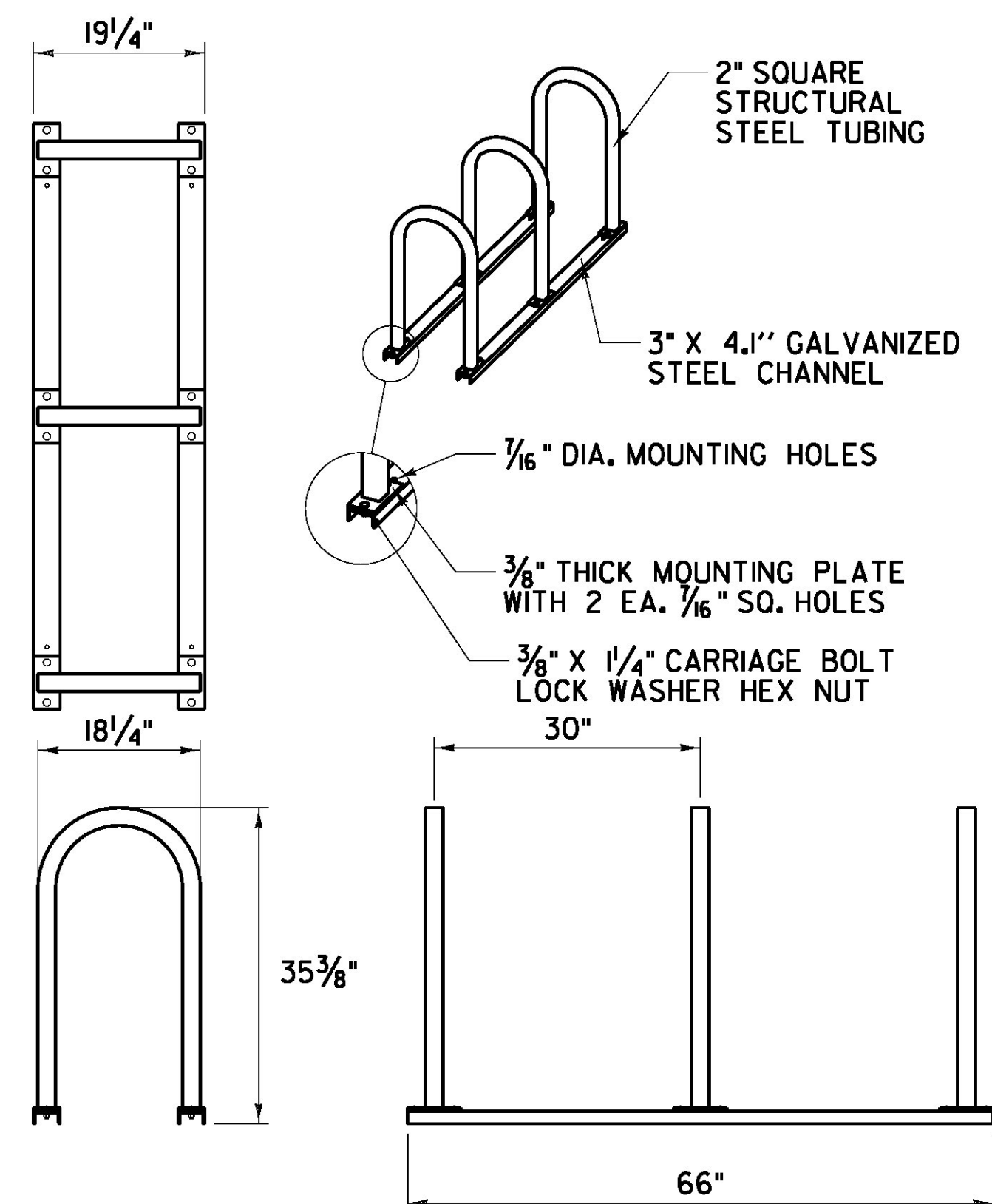
1. POST SHALL BE PAINTED TO MATCH EXISTING POSTS ON THE PROJECT SITE.
2. CHAIN SHALL BE #4/0 PASSING LINK WELDED CHAIN, HAVE A BLACK POWDER COAT FINISH. A SAMPLE CHAIN SHALL BE SUBMITTED FOR APPROVAL TO THE ENGINEER.
3. CHAIN SHALL BE SECURED TO THE TOP OF THE POST IN A MANNER THAT PREVENTS THE SAG FROM BEING ALTERED. FASTENING METHOD TO BE APPROVED BY THE ENGINEER.



900.620 SPECIAL PROVISION (INFORMATIONAL SIGN WITH STEEL POSTS) DETAIL

NOTES:

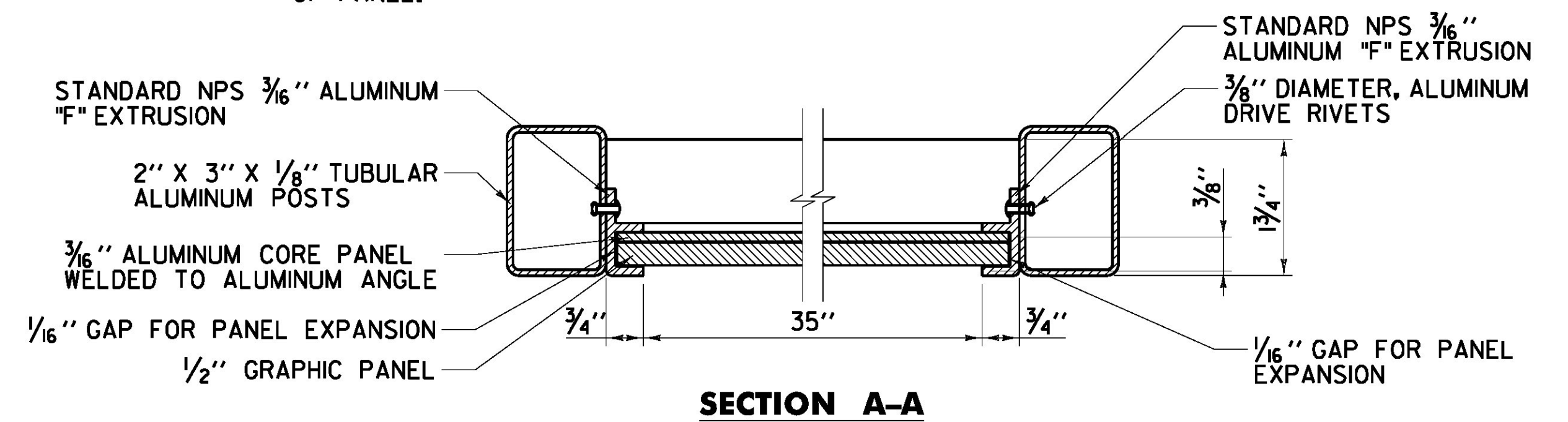
1. THE COST OF EXCAVATION FOR PEDESTAL INSTALLATION, CRUSHED STONE, CLASS A CONCRETE, AND MOUNTING SIGN PANEL (FURNISHED BY OTHERS) SHALL BE INCLUDED IN THE UNIT PRICE BID FOR ITEM 900.620 SPECIAL PROVISION (INFORMATIONAL SIGN WITH STEEL POSTS).
2. INFORMATIONAL SIGN POSTS SHALL HAVE A CUSTOM GREEN POWDER COAT FINISH. A SAMPLE SHALL BE SUBMITTED FOR APPROVAL TO THE ENGINEER.
3. PROVIDE THREE WEEP HOLES EQUALLY SPACED ALONG BOTTOM OF PANEL FRAME. TWO OUTER WEEP HOLES SHALL BE LOCATED 3 INCHES FROM EDGE OF PANEL.



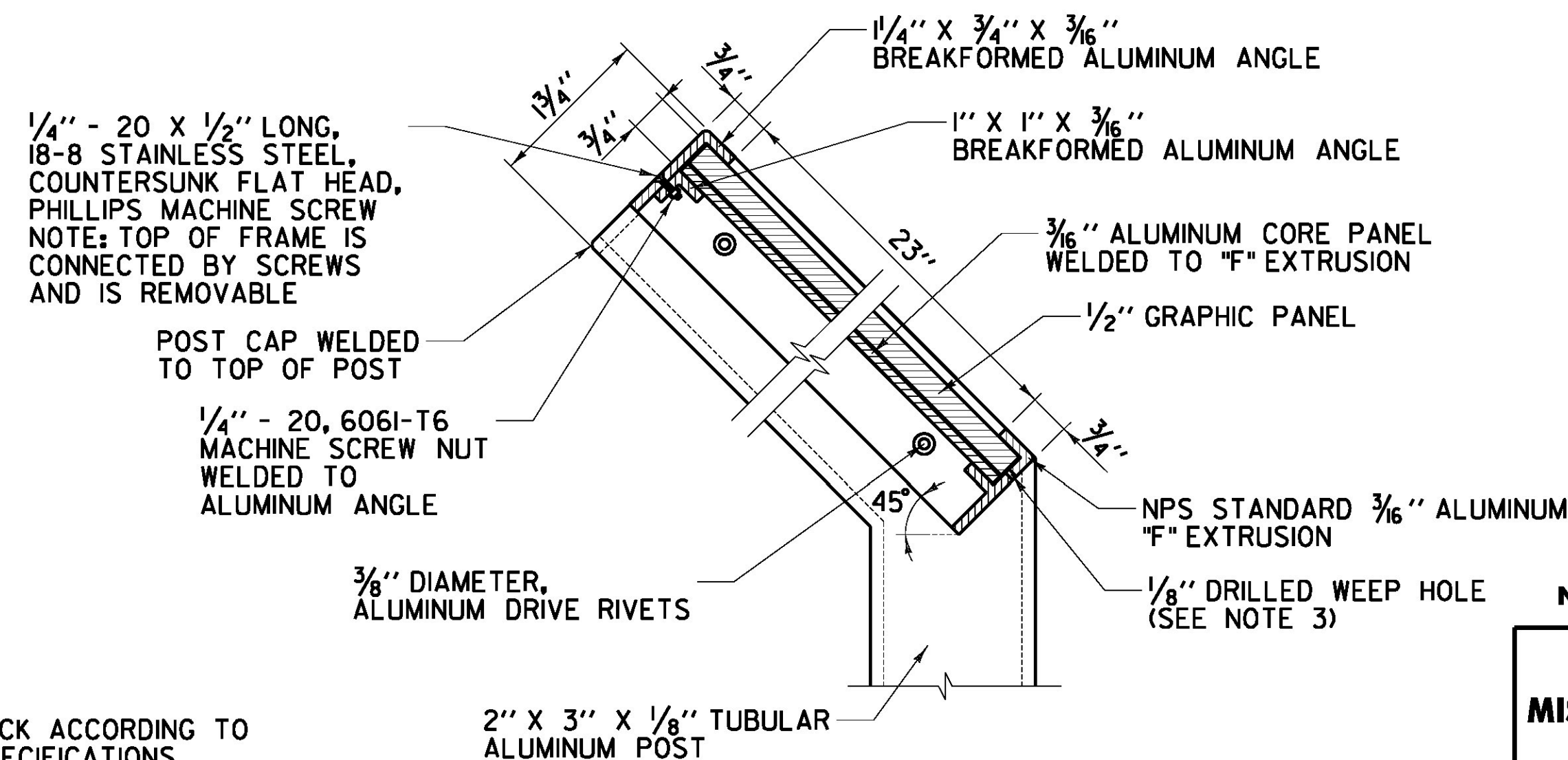
900.620 SPECIAL PROVISION (BICYCLE RACK) DETAIL

NOTES:

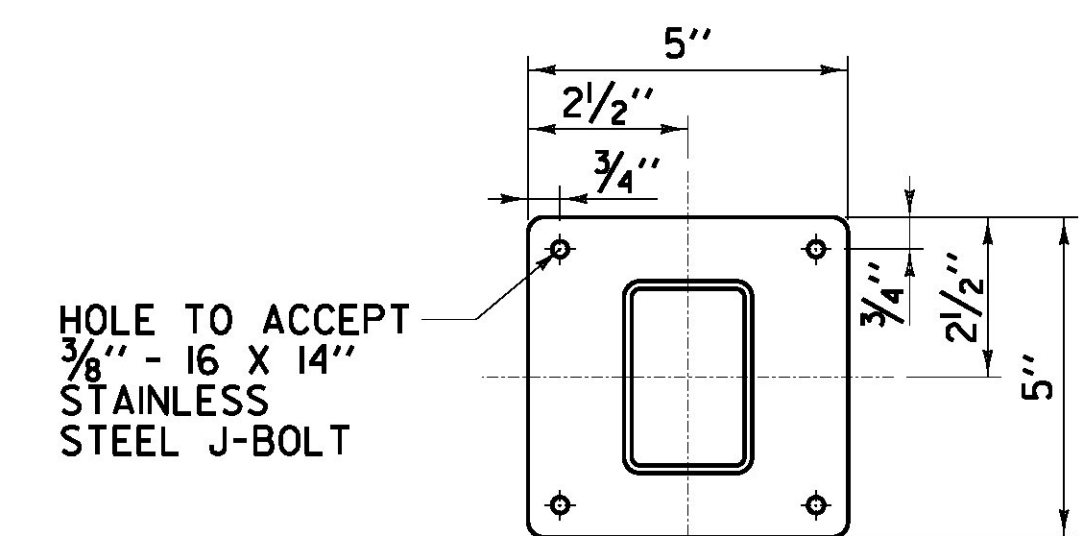
1. INSTALL BICYCLE RACK ACCORDING TO MANUFACTURER'S SPECIFICATIONS.
2. BICYCLE RACK SHALL HAVE HOT-DIPPED GALVANIZED FINISH.



SECTION A-A



SECTION B-B



SECTION C-C

**MISCELLANEOUS
DETAILS
SHEET #6**

PROJECT NAME:	LAKE CHAMPLAIN SITE RESTORATION	
PROJECT NUMBER:	STP 032-K18)	
FILE NAME:	z12E008_msd_06.dgn	PLOT DATE: 7/23/2012
PROJECT LEADER:	D.E.G.	DRAWN BY: W.G.P.
DESIGNED BY:	B.T.H.	CHECKED BY: D.E.G.
DWG. NO.:	MD-6	SHEET 66 OF 100