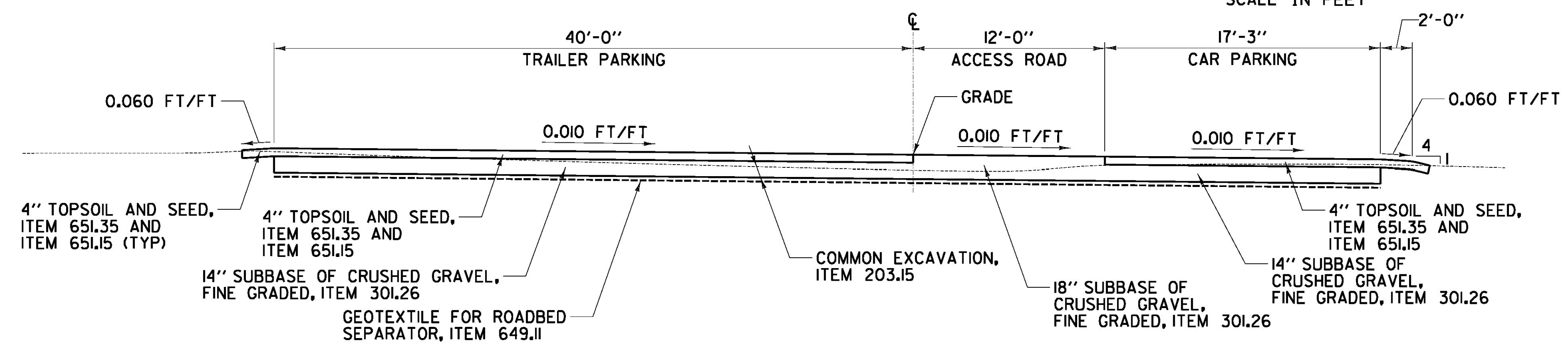
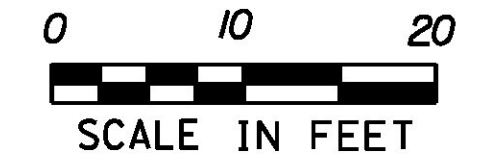
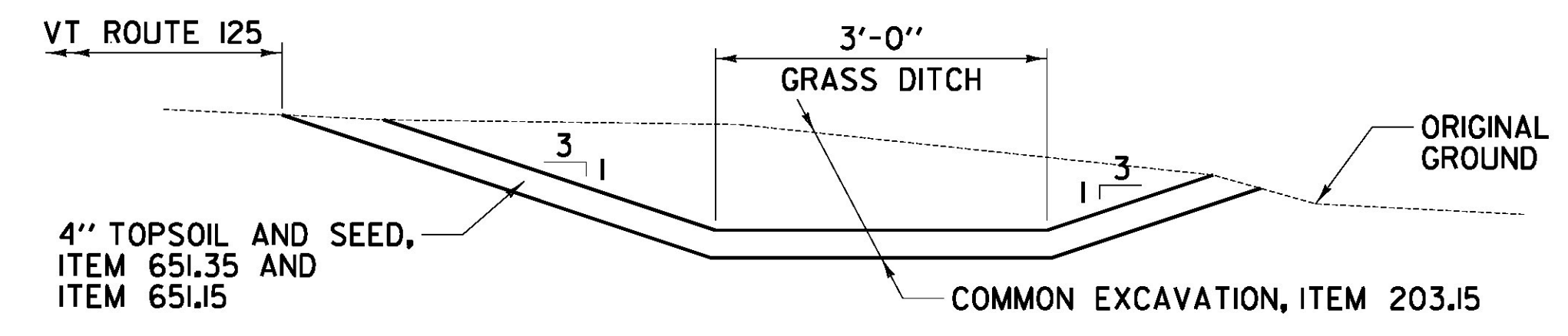


**AUXILIARY PARKING LOT DETAIL**



**AUXILIARY PARKING LOT SECTION A-A**  
NOT TO SCALE



**DITCH SECTION B-B**  
NOT TO SCALE

<b>MISCELLANEOUS DETAILS SHEET #3</b>	PROJECT NAME: LAKE CHAMPLAIN SITE RESTORATION	PLOT DATE: 7/12/2012
	PROJECT NUMBER: STP 032-I(18)	DRAWN BY: W.G.P.
	FILE NAME: z12E008_msd_03.dgn	CHECKED BY: D.E.G.
	DESIGNED BY: B.T.H.	SHEET 63 OF 100
	DWG. NO.: MD-3	

FILE NAME = I:\A\2012\30\ACADD\MSTIN\z12E008\_msd\_03.dgn  
 DATE/TIME = 7/12/2012  
 USER = 4666