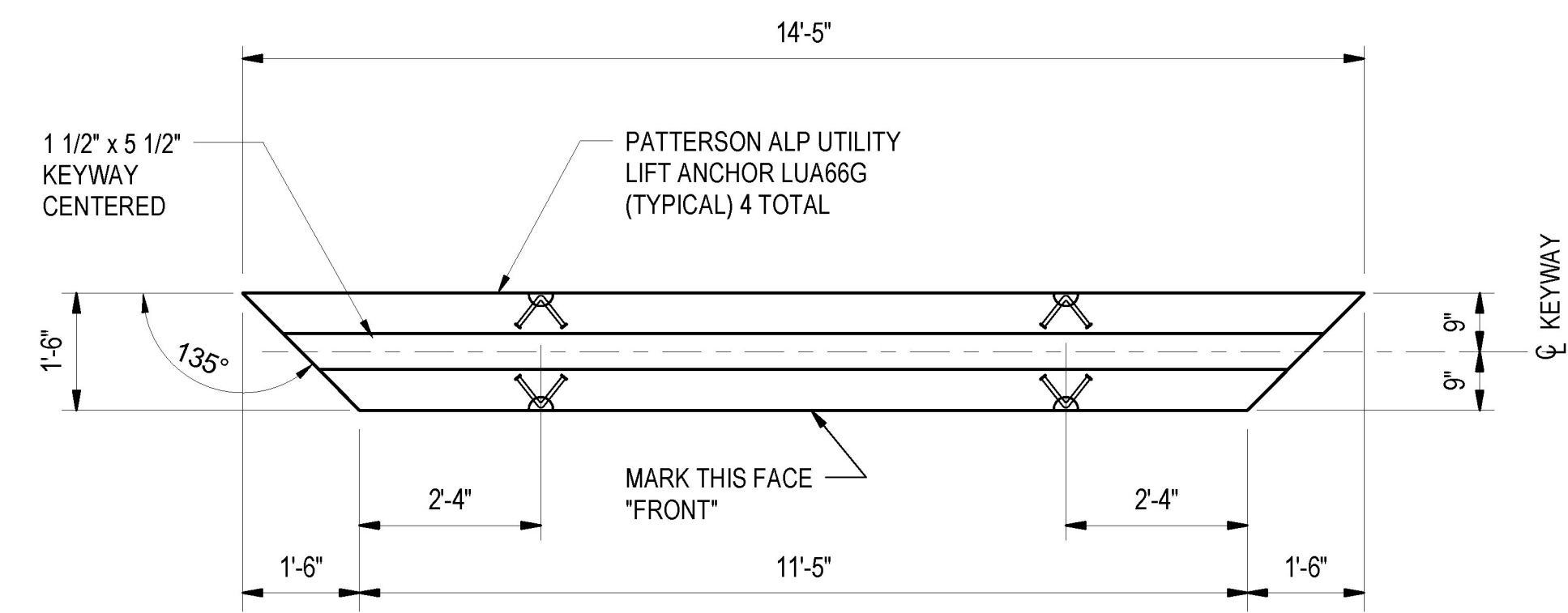
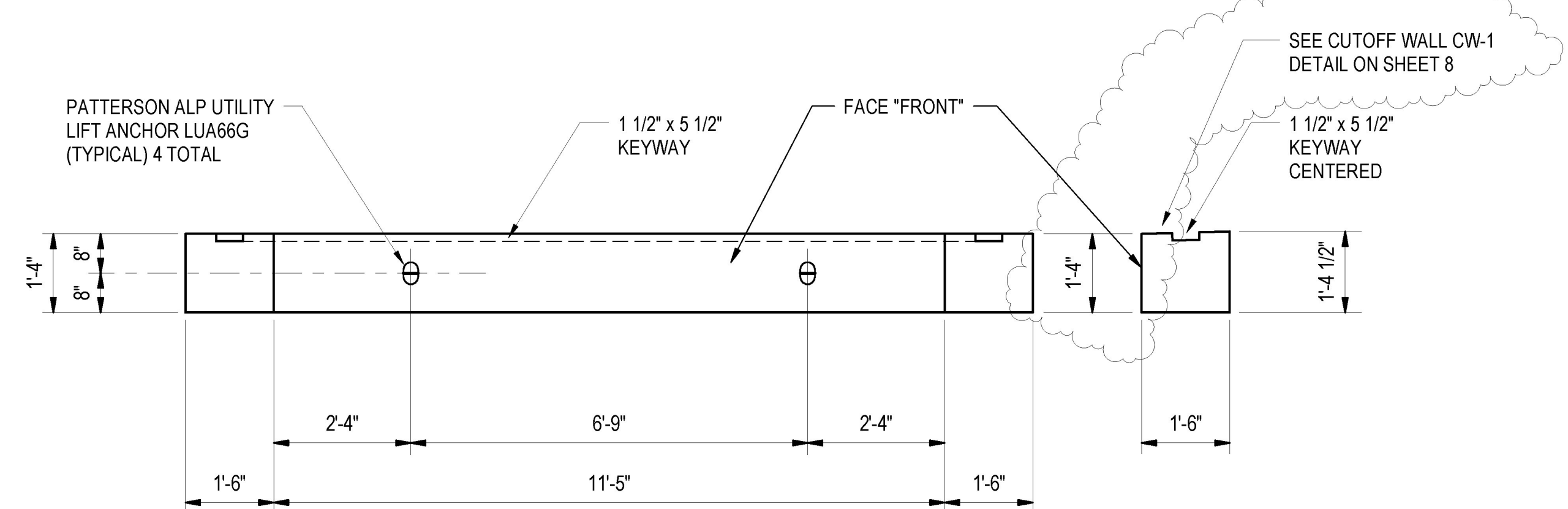


CUTOFF WALL CW-1 PLAN
1/2" = 1'-0"

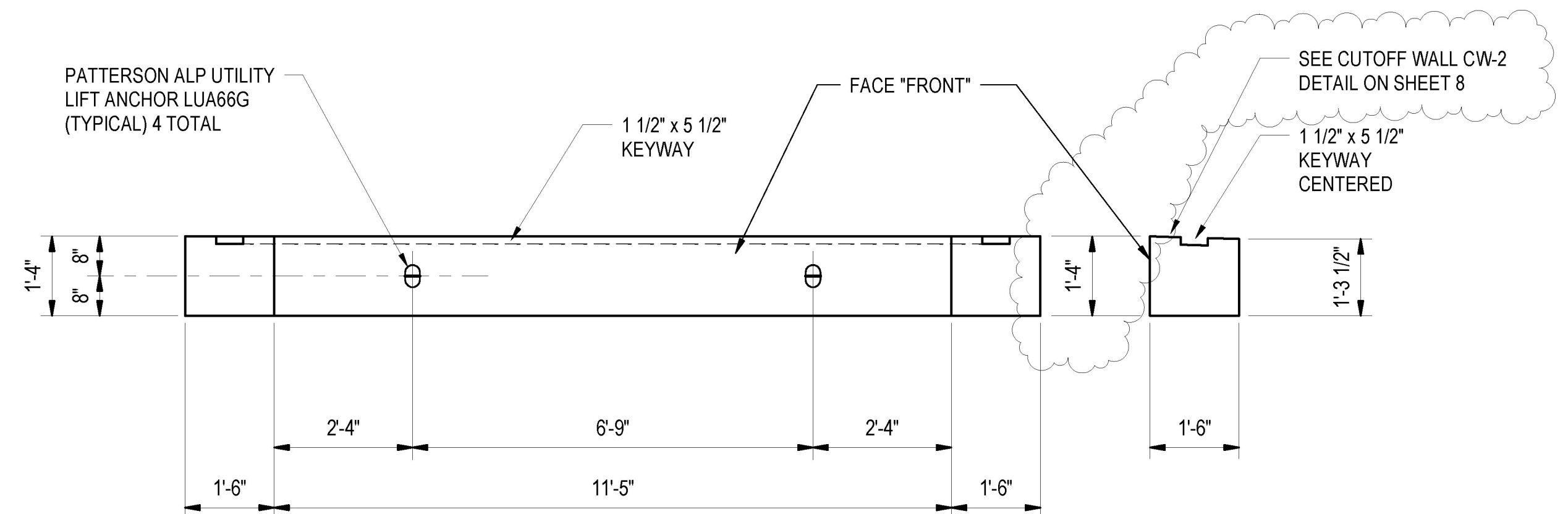


CUTOFF WALL CW-2 PLAN
1/2" = 1'-0"



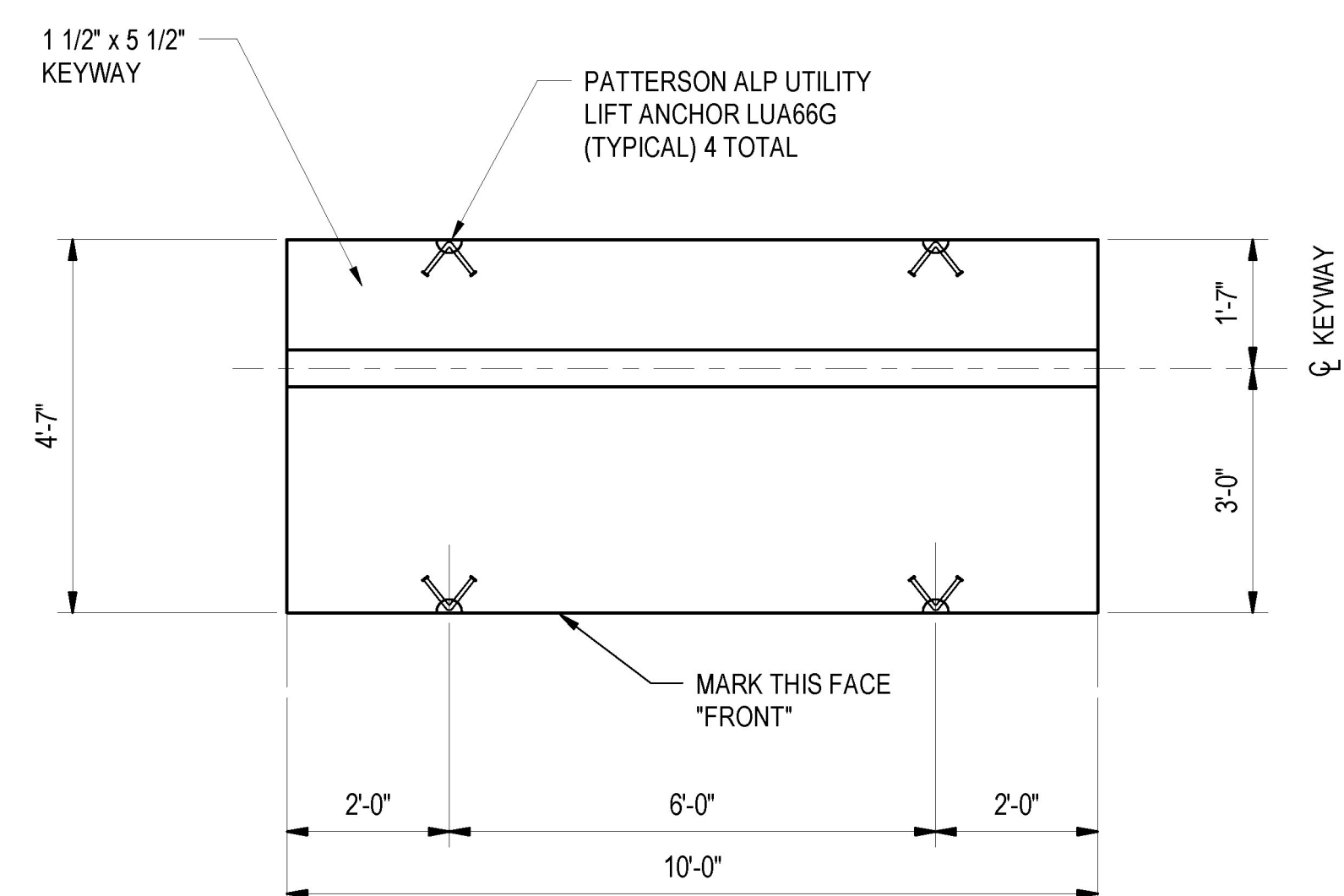
CUTOFF WALL CW-1 ELEVATION
1/2" = 1'-0"

NOTE: REINFORCING STEEL NOT SHOWN IN PLAN, ELEVATION AND SECTION VIEWS.

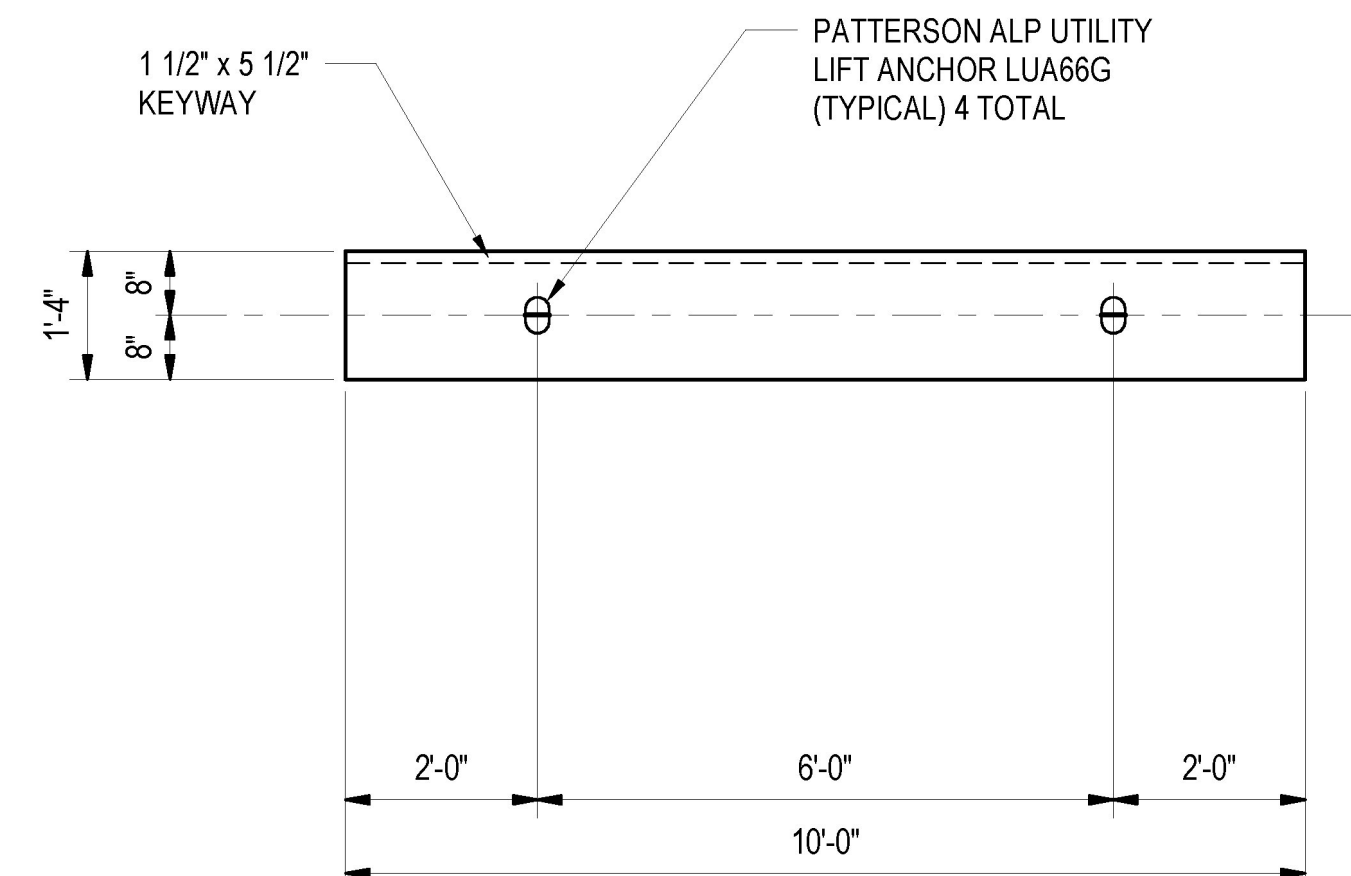


CUTOFF WALL CW-2 ELEVATION
1/2" = 1'-0"

NOTE: REINFORCING STEEL NOT SHOWN IN PLAN, ELEVATION AND SECTION VIEWS.



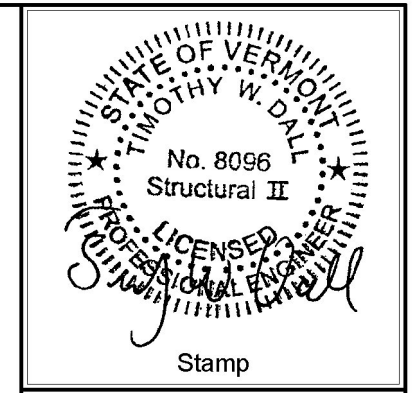
CUTOFF WALL CW-3 PLAN
1/2" = 1'-0"



CUTOFF WALL CW-3 ELEVATION
1/2" = 1'-0"

1. DETAILS APPLICABLE AT CW-3A, CW-3B, CW-3C AND CW-3D.
2. REINFORCING STEEL NOT SHOWN IN PLAN AND ELEVATION VIEWS.

Vermont Agency of Transportation
RECEIVED
CK'D BY J. B. McCarthy OK'D BY J. B. McCarthy
May 17, 2017
RESUBMIT No Approved
BY J. B. McCarthy DATE 05/18/17



Date	05/15/17
Description	SUBMITTAL REVIEW COMMENTS
No.	1

ENGINEERING VENTURES PC
208 Flynn Avenue, Suite 2A, Burlington, VT 05401
tel. 802-863-6225 fax. 802-863-6306
85 Mechanic Street, Suite B2-2, Lebanon, NH 03766
tel. 603-442-9333 fax. 603-442-9331
www.engineeringventures.com

CAMP
PRECAST CONCRETE
78 PRECAST ROAD
MILTON, VT 05469
PHONE: (802) 893-2401
FAX: (802) 893-1542

CUTOFF WALL PLANS AND ELEVATIONS
TOWN OF ST. ALBANS
VT ROUTE 104, CULVERT #19
ST. ALBANS, VERMONT

Sheet Title:	CUTOFF WALL PLANS AND ELEVATIONS
Project Title:	TOWN OF ST. ALBANS VT ROUTE 104, CULVERT #19
Designed By:	CPA
Checked By:	TWD
Drawn:	JTM
Scale:	AS NOTED
Date:	04/04/2017

7
EV Project #17022.02