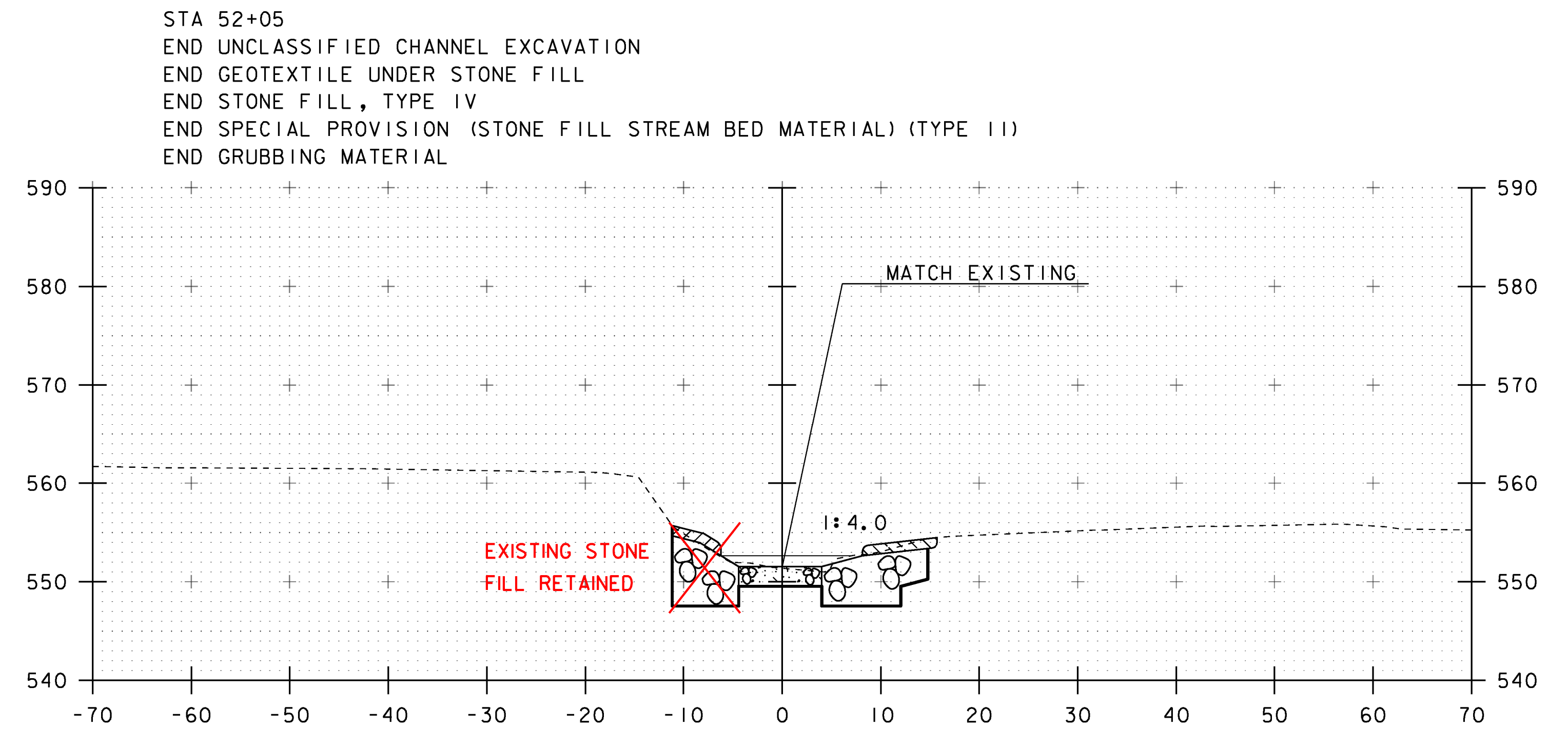
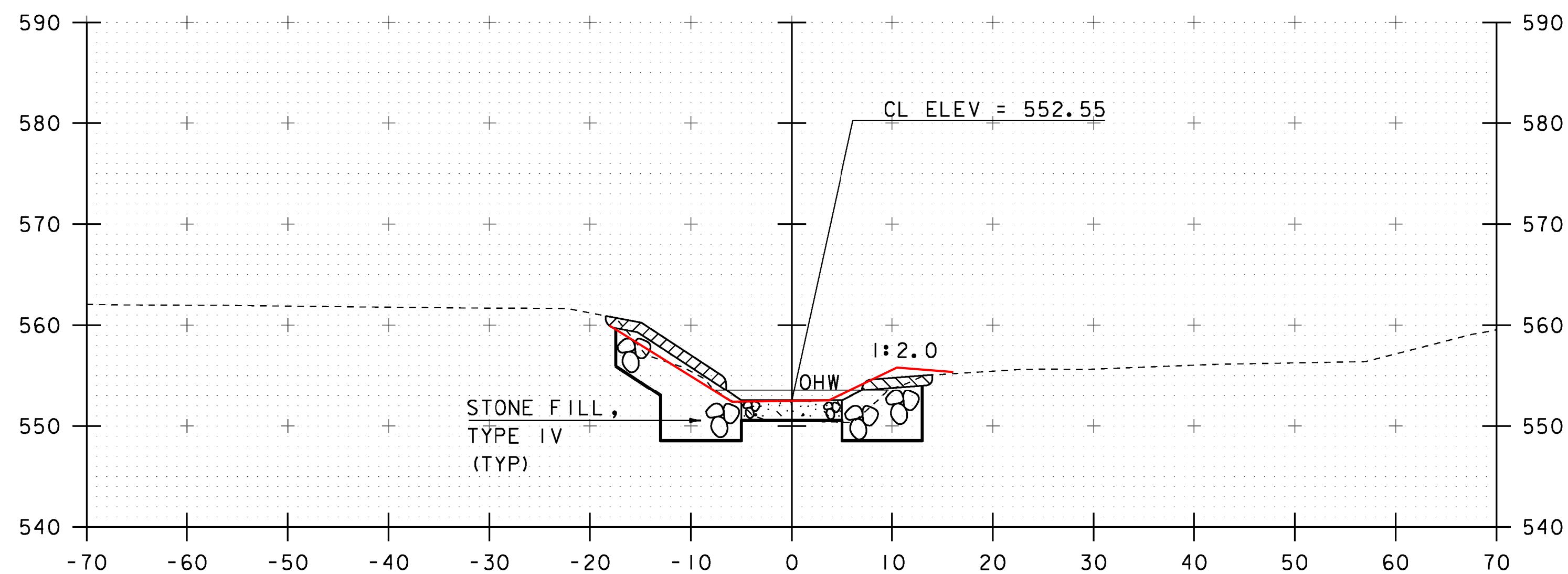


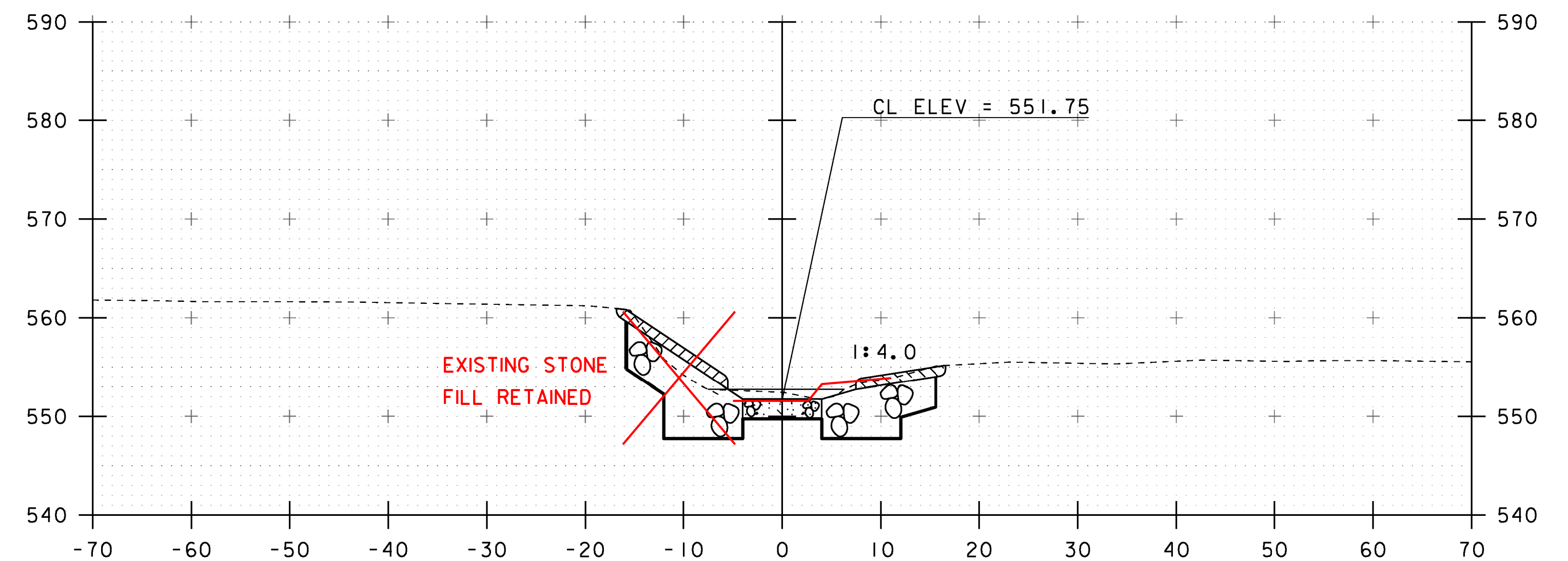
51+90



52+05



51+80



52+00

STA. 51+80 TO STA. 52+05

PROJECT NAME:	ST. ALBANS TOWN	PLOT DATE:	10-JAN-2017
PROJECT NUMBER:	BF 0279(5)	DRAWN BY:	J. SALVATORI
FILE NAME:	sl2c598xs.dgn	DESIGNED BY:	J. SALVATORI
PROJECT LEADER:	J.B. MCCARTHY	CHECKED BY:	J.B. MCCARTHY
CHANNEL CROSS SECTIONS		SHEET	24 OF 29