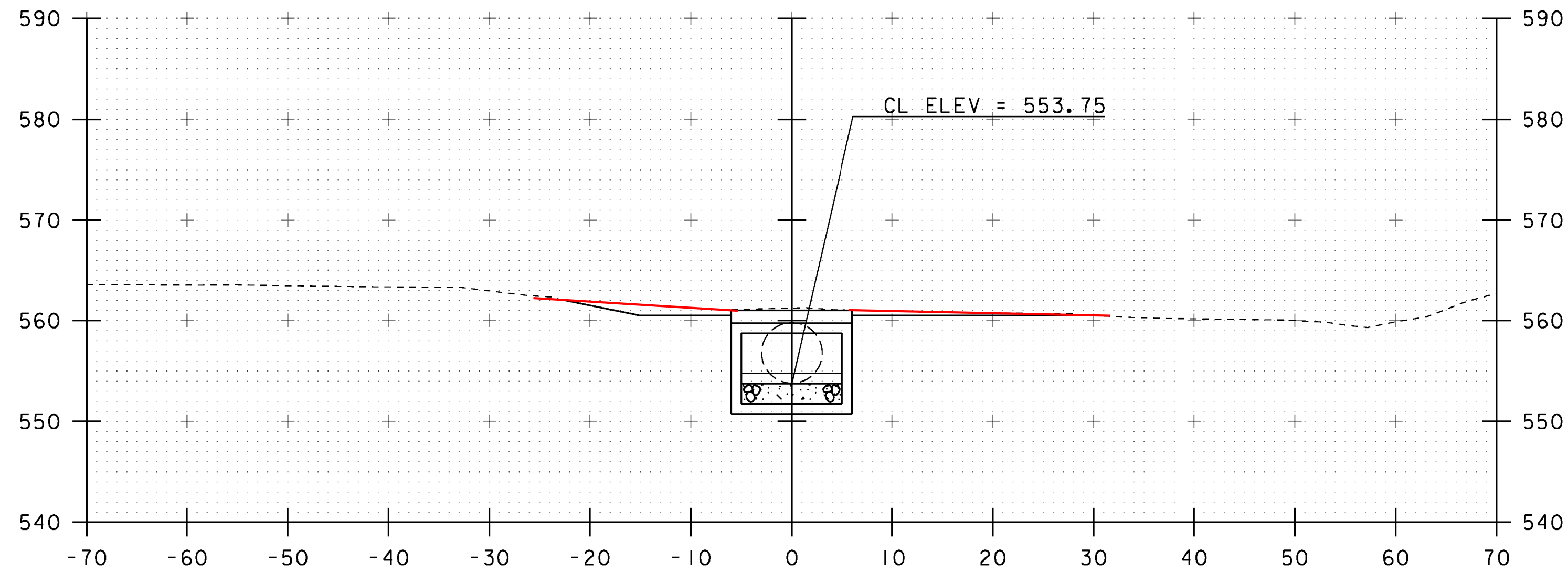
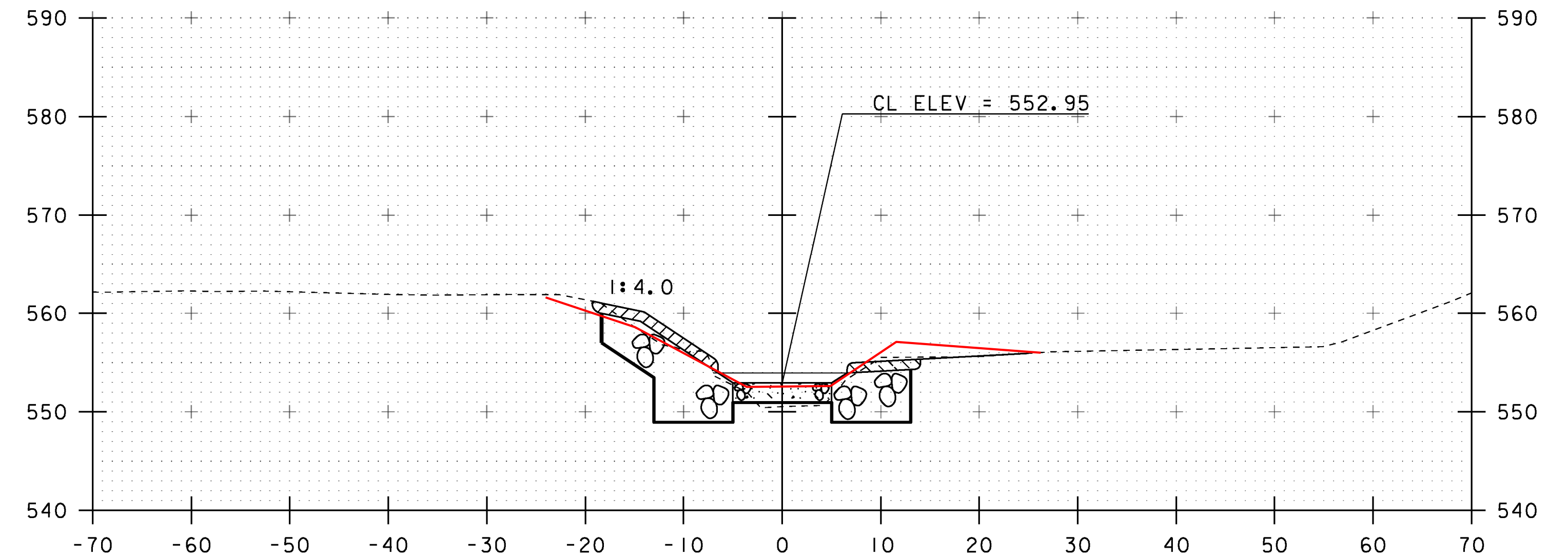


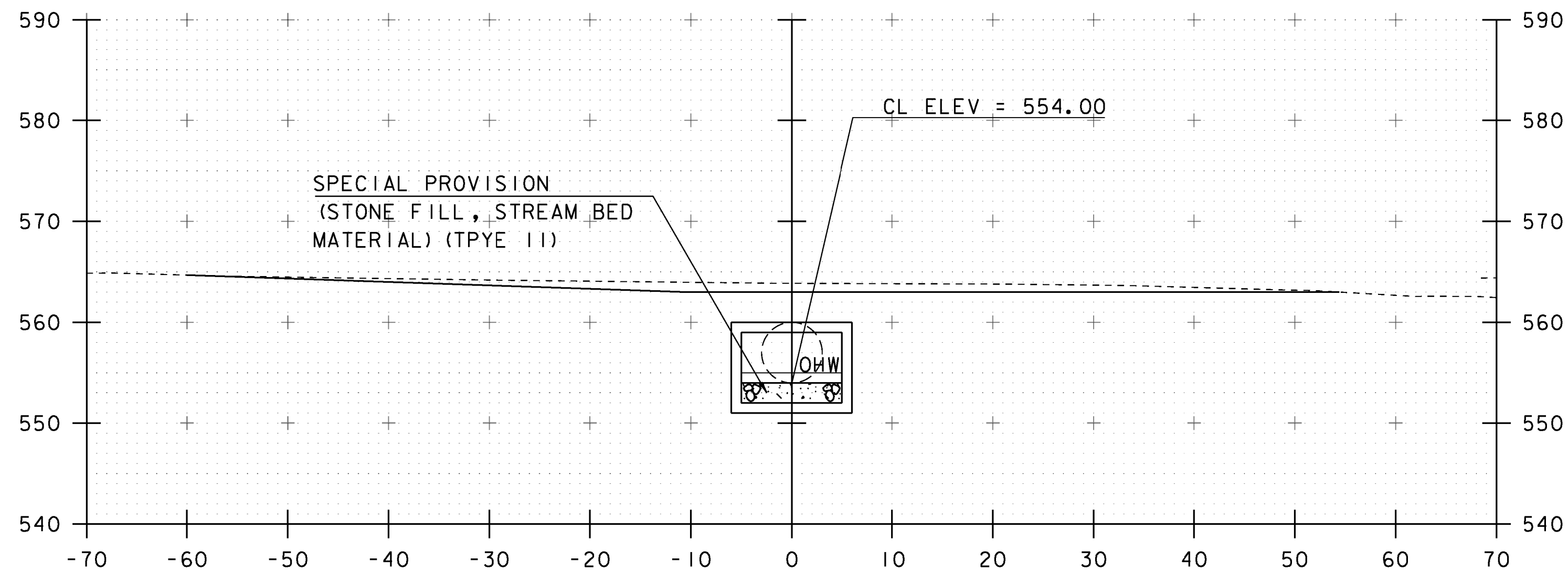
STA 51+50 AHEAD STATION
 BEGIN UNCLASSIFIED CHANNEL EXCAVATION
 BEGIN GEOTEXTILE UNDER STONE FILL
 BEGIN STONE FILL, TYPE IV
 BEGIN GRUBBING MATERIAL



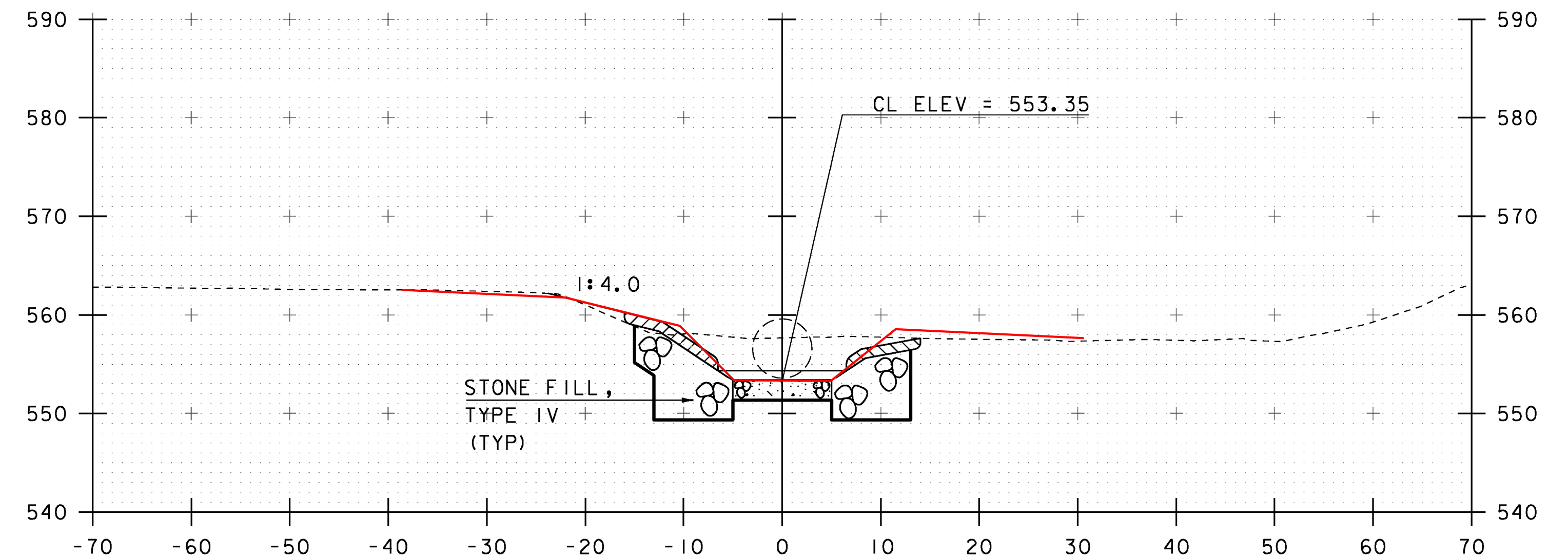
51+50



51+70



51+40



51+60

STA. 51+40 TO STA. 51+70

PROJECT NAME:	ST. ALBANS TOWN
PROJECT NUMBER:	BF 0279(5)
FILE NAME:	s12c598xs.dgn
PROJECT LEADER:	J.B. MCCARTHY
DESIGNED BY:	J. SALVATORI
CHANNEL CROSS SECTIONS	
PLOT DATE:	10-JAN-2017
DRAWN BY:	J. SALVATORI
CHECKED BY:	J.B. MCCARTHY
SHEET	23 OF 29