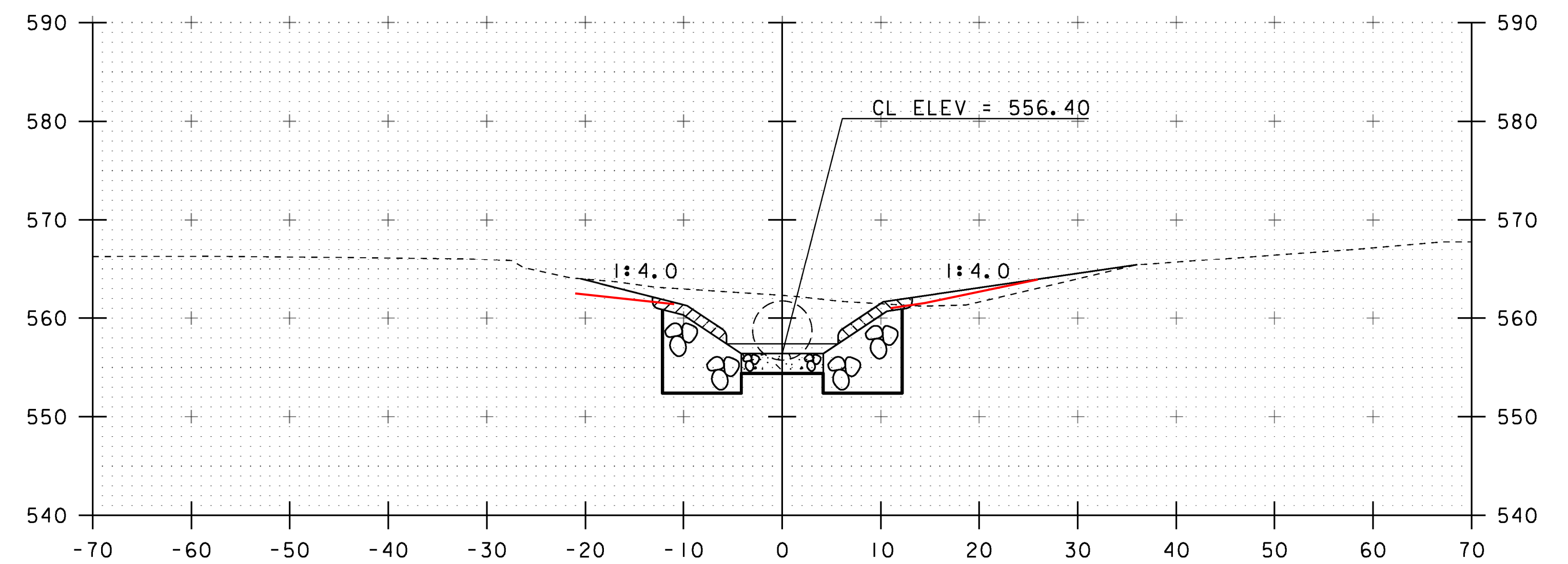


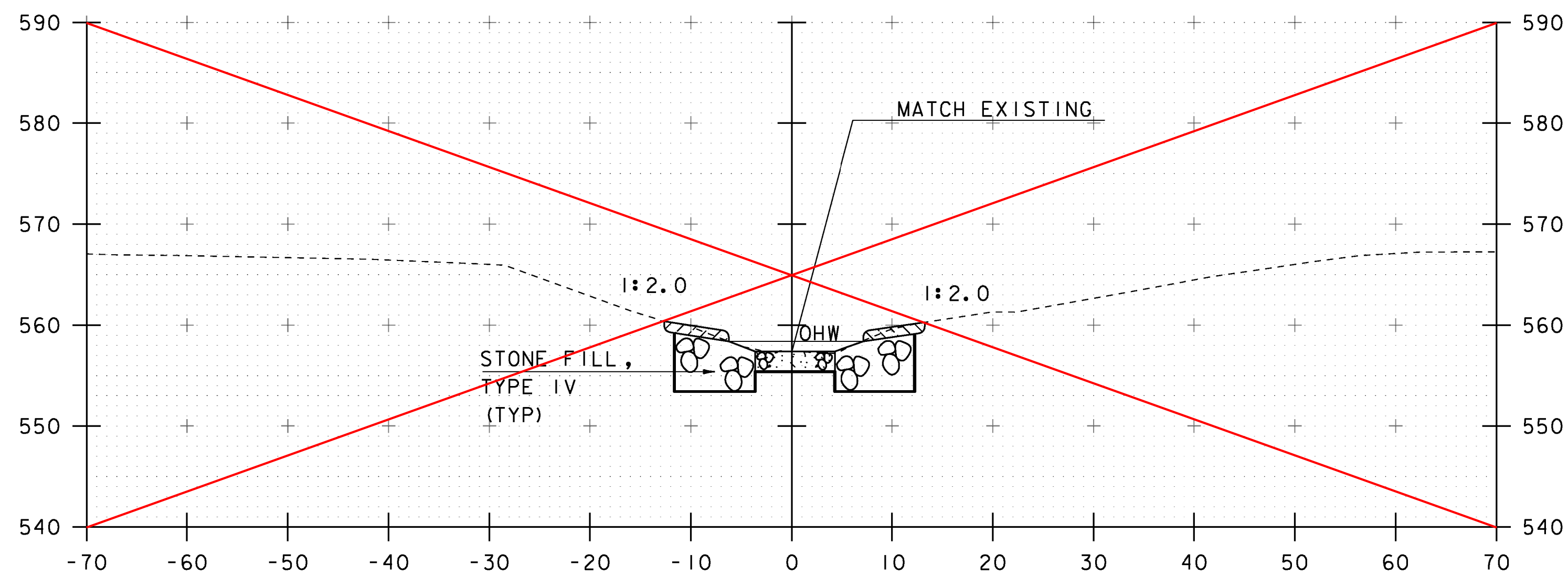
50+30



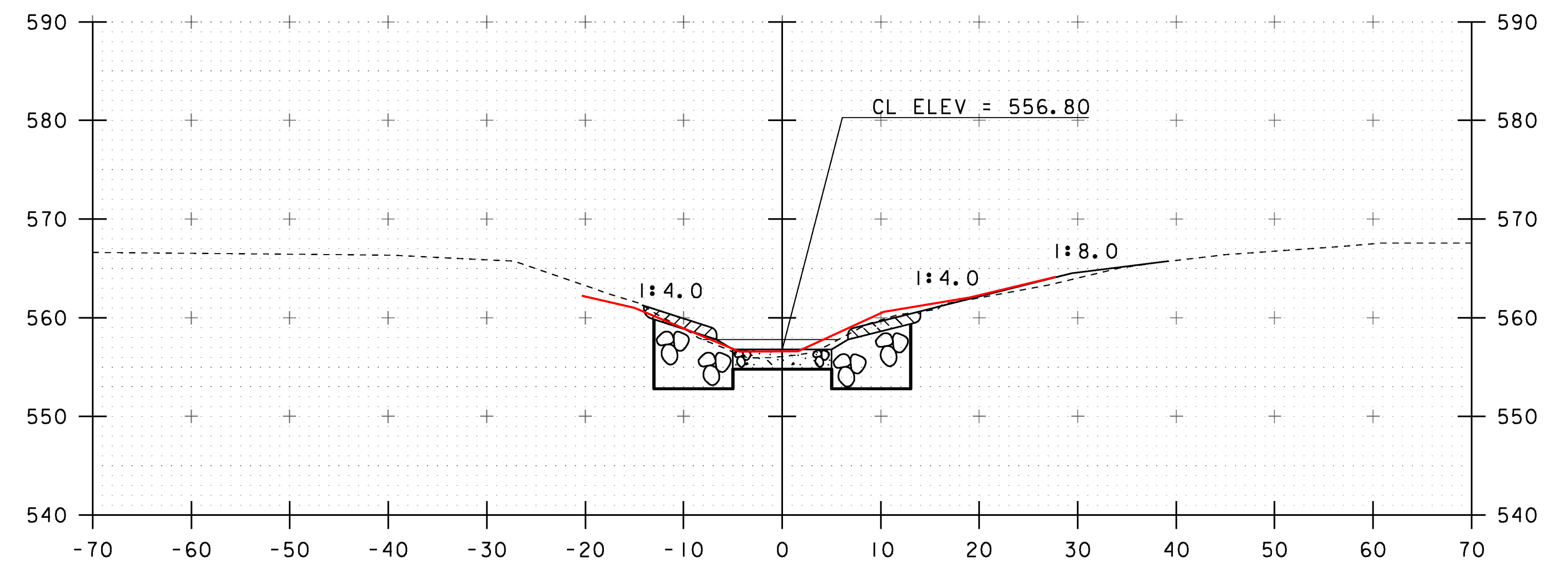
50+50

AS PER PROJECT MANAGER REQUEST
TO SAVE LARGE ELM TREE

STA ~~50+25~~ 50+40
 BEGIN UNCLASSIFIED CHANNEL EXCAVATION
 BEGIN GEOTEXTILE UNDER STONE FILL
 BEGIN STONE FILL, TYPE IV
 BEGIN SPECIAL PROVISION (STONE FILL, STREAM BED MATERIAL) (TYPE 11)
 BEGIN GRUBBING MATERIAL



50+25



50+40

PROJECT NAME:	ST. ALBANS TOWN	PLOT DATE:	10-JAN-2017
PROJECT NUMBER:	BF 0279(5)	DRAWN BY:	J. SALVATORI
FILE NAME:	s12c598xs.dgn	DESIGNED BY:	J. SALVATORI
PROJECT LEADER:	J.B. MCCARTHY	CHANNEL CROSS SECTIONS	CHECKED BY: J.B. MCCARTHY
			SHEET 21 OF 29

STA. 50+25 TO STA. 50+50