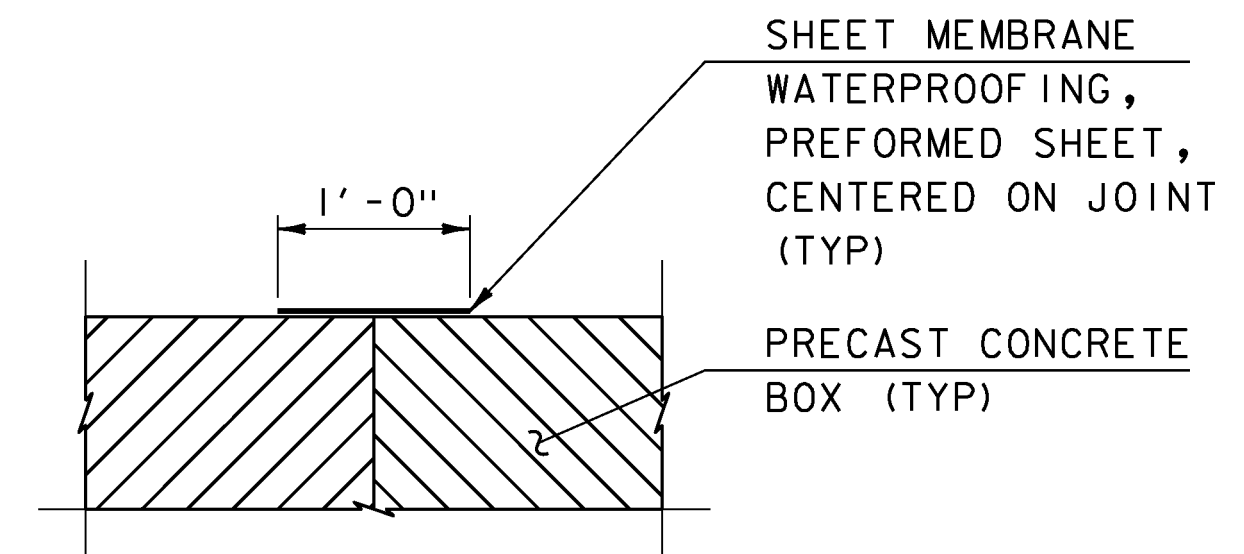
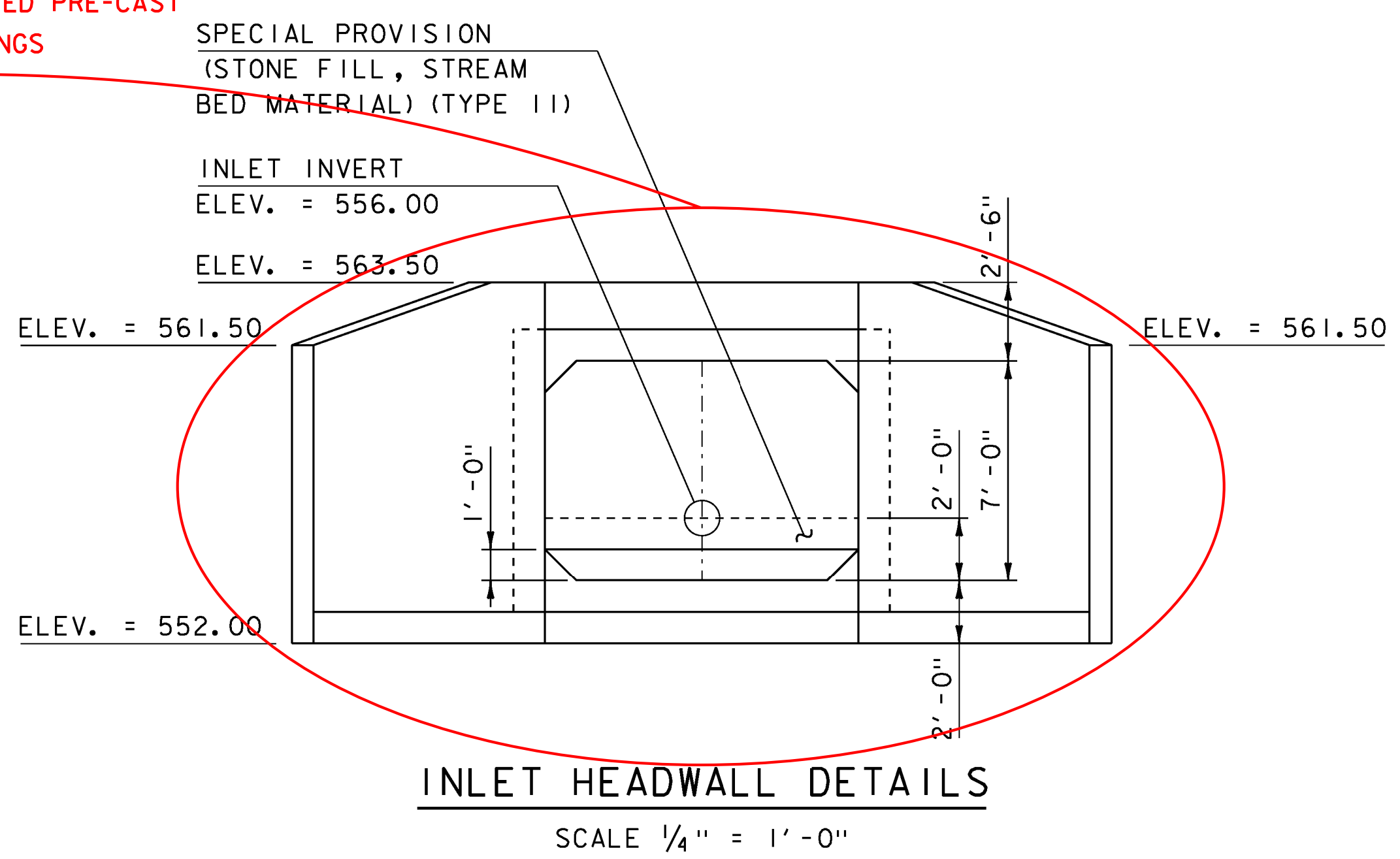
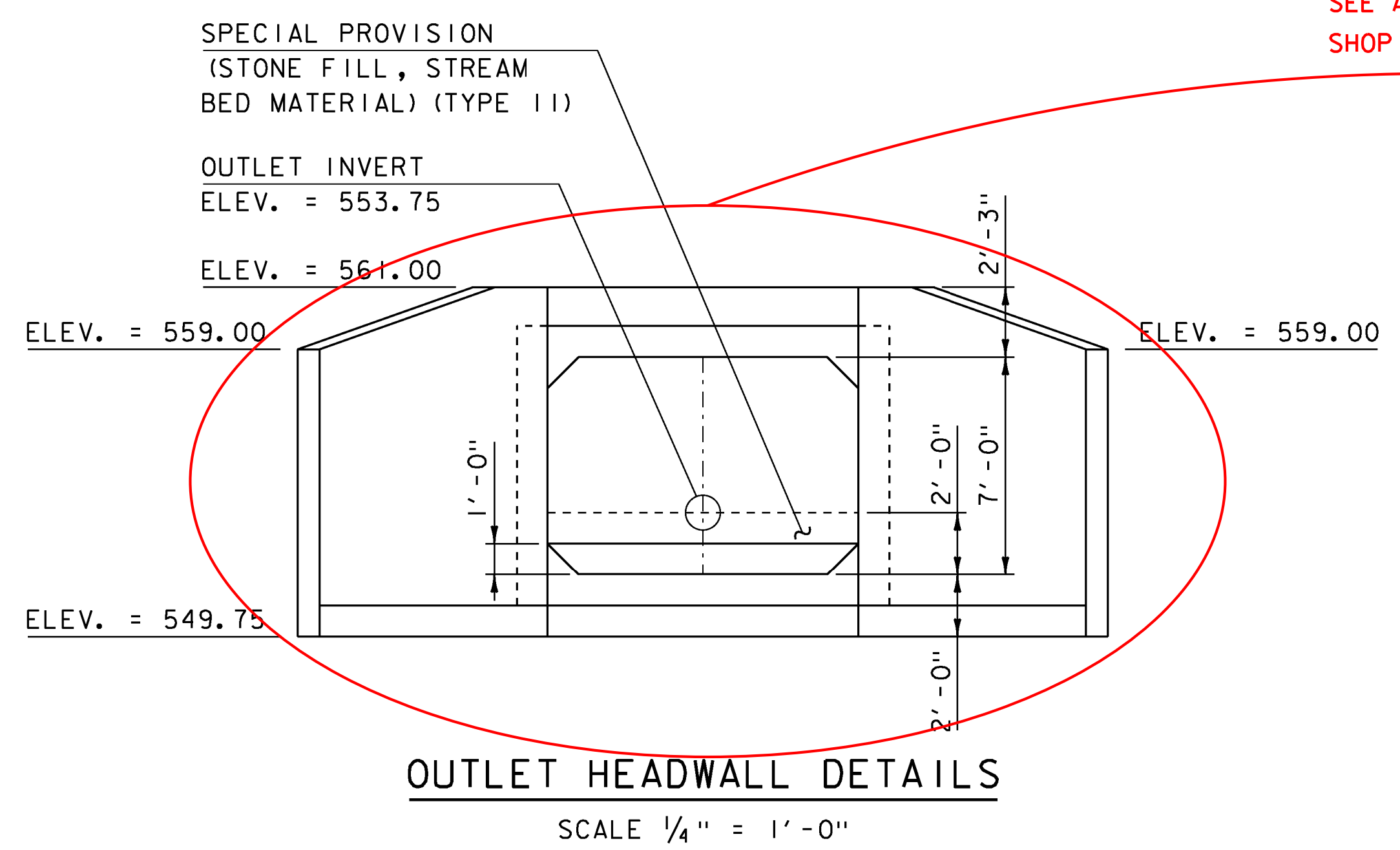


BOX LAYOUT
SCALE 1/4" = 1' - 0"

SEE APPROVED PRE-CAST
SHOP DRAWINGS



PRECAST BOX JOINT COVER
N.T.S.

- NOTE:
- DIMENSIONS SHOWN ARE BASED ON AN ASSUMED WALL THICKNESS OF 1' - 0".
 - THE PRECAST BOX SECTIONS AND WINGWALLS ARE SHOWN FOR REFERENCE ONLY. THE ACTUAL DIMENSIONS AND SHAPE WILL BE DEPENDENT ON THE FABRICATOR.

PROJECT NAME: ST. ALBANS TOWN	PLOT DATE: 10-JAN-2017
PROJECT NUMBER: BF 0279(5)	DRAWN BY: D.D.BEARD
FILE NAME: I2c598/sI2c598details.dgn	CHECKED BY: J.B.MCCARTHY
PROJECT LEADER: J.B.MCCARTHY	SHEET 17 OF 29
DESIGNED BY: J.SALVATORI	
PRECAST CULVERT DETAIL SHEET	