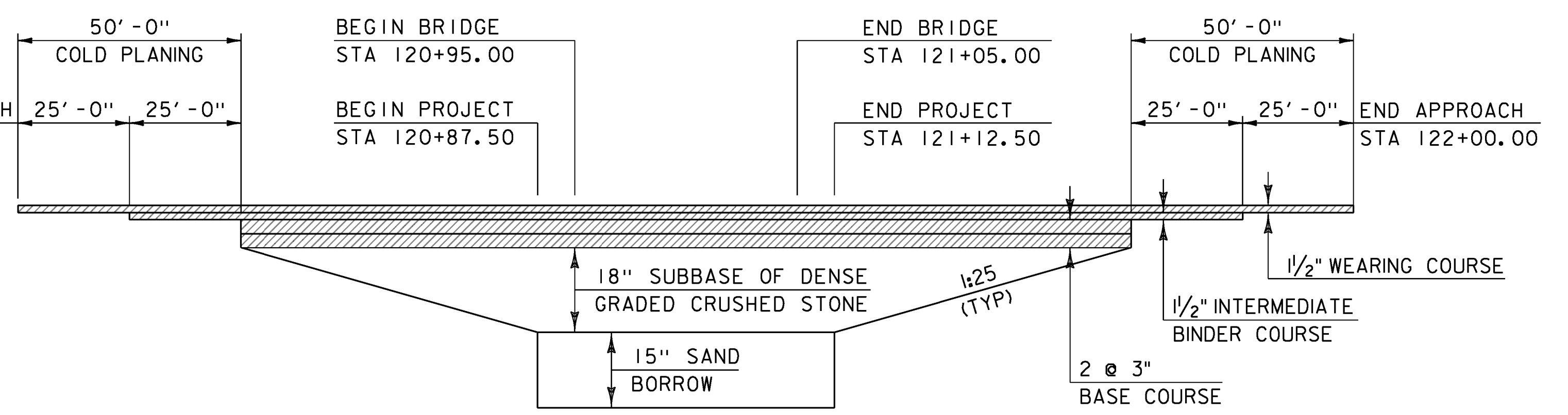


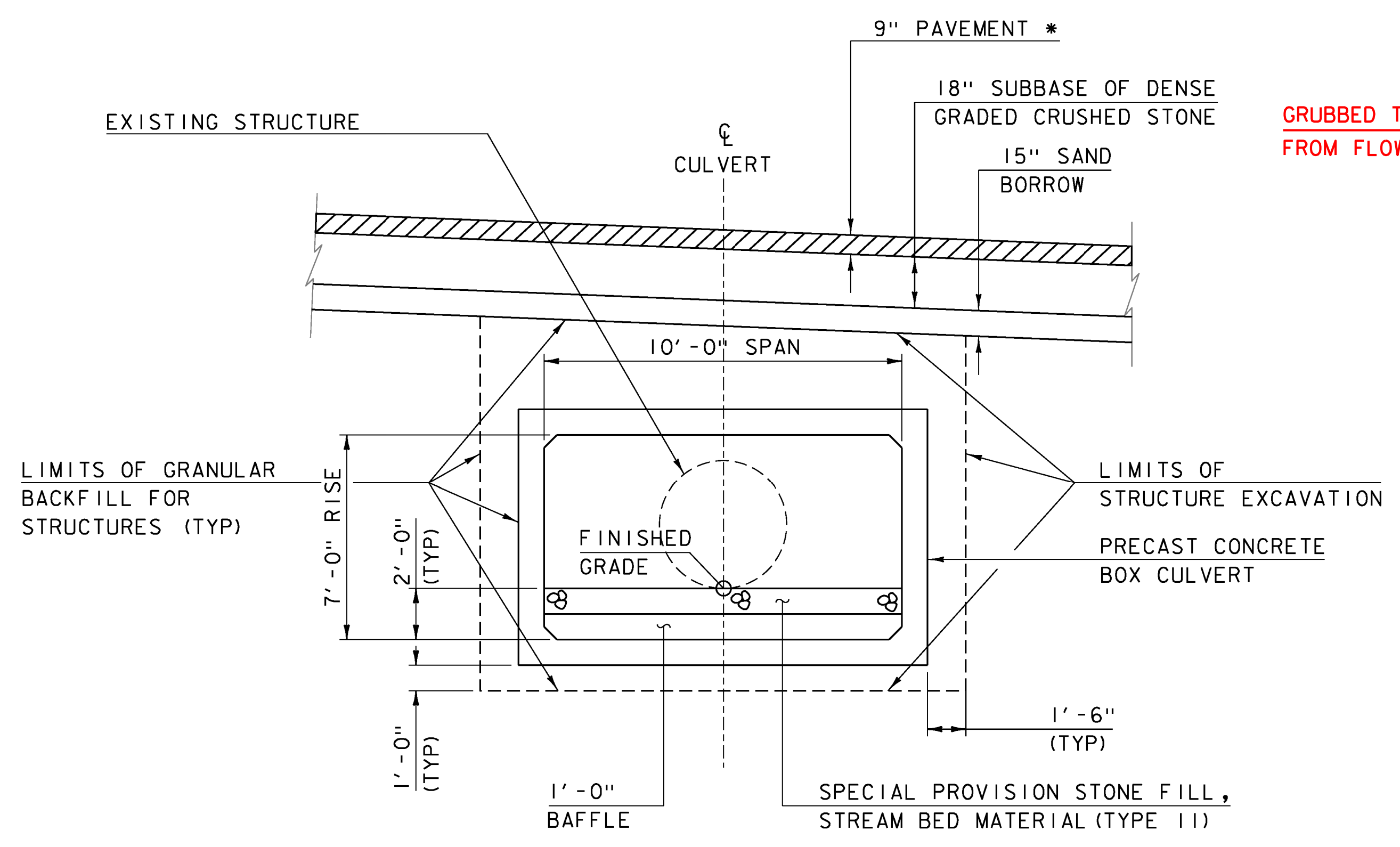
ROADWAY TYPICAL SECTION

NOT TO SCALE
 * 1 1/2" TYPE IVS OVER
 1 1/2" TYPE IVS OVER
 3" TYPE IIS OVER
 3" TYPE IIS



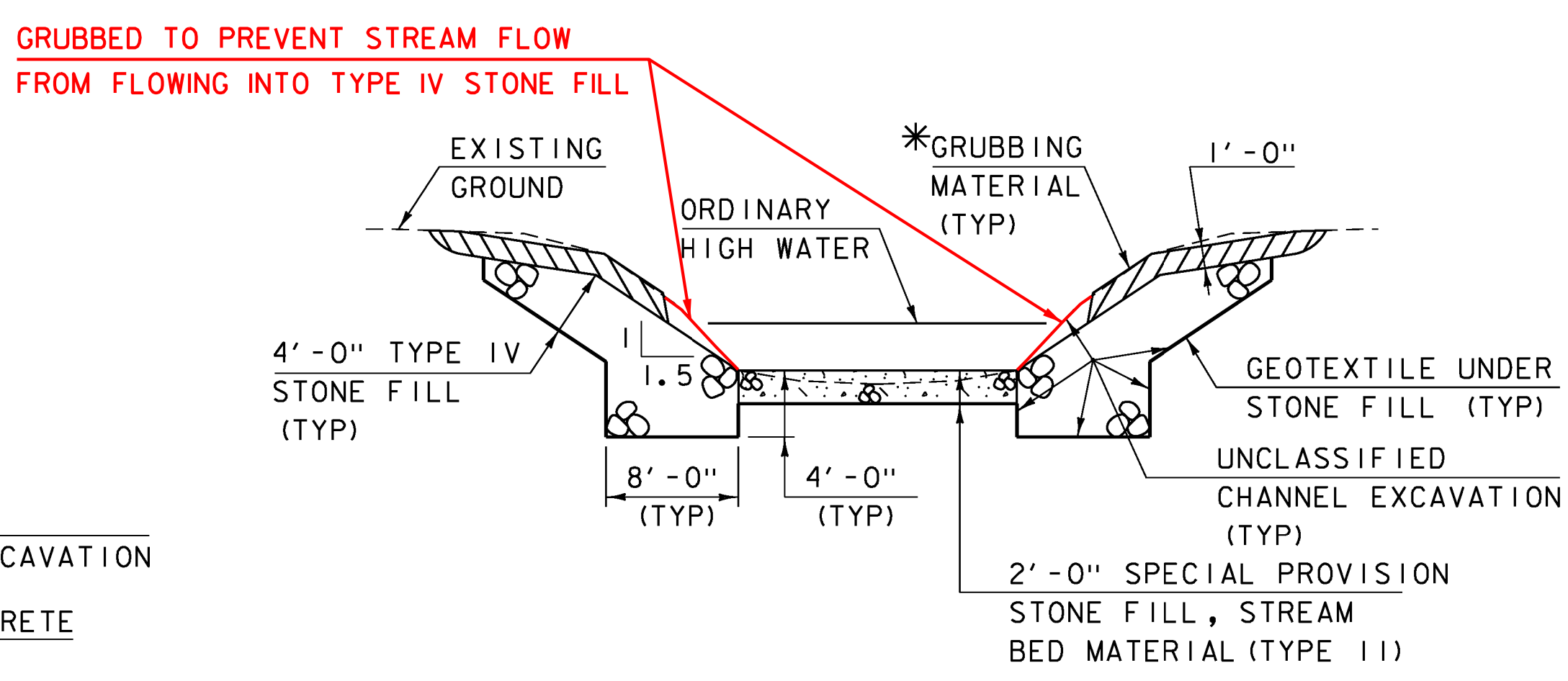
MATERIAL TRANSITION

HOR. SCALE 1" = 20'-0"
 NO VER. SCALE



CULVERT TYPICAL SECTION

NOT TO SCALE



CHANNEL TYPICAL SECTION

NOT TO SCALE

* WHENEVER CHANNEL SLOPE INTERSECTS ROADWAY SUBBASE, GRUBBING MATERIAL SHALL BEGIN AT THE BOTTOM OF SUBBASE.

MATERIAL TOLERANCES (IF USED ON PROJECT)	
SURFACE	
- PAVEMENT (TOTAL THICKNESS)	+/- 1/4"
- AGGREGATE SURFACE COURSE	+/- 1/2"
SUBBASE	+/- 1"
SAND BORROWS	+/- 1"

PROJECT NAME:	ST. ALBANS TOWN	PLOT DATE:	10-JAN-2017
PROJECT NUMBER:	BF 0279(5)	DRAWN BY:	D.D.BEARD
FILE NAME:	sl2c598typ.dgn	DESIGNED BY:	J.SALVATORI
PROJECT LEADER:	J.B.MCCARTHY	CHECKED BY:	J.B.MCCARTHY
TYPICAL SECTIONS		SHEET	9 OF 29