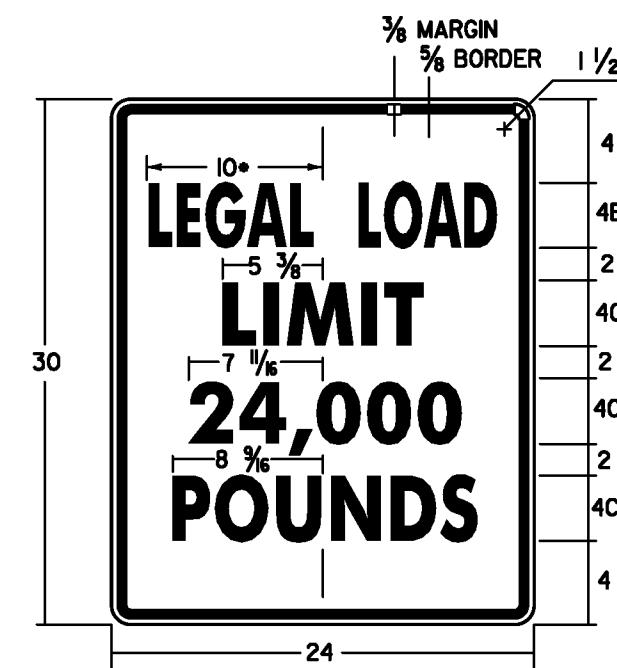
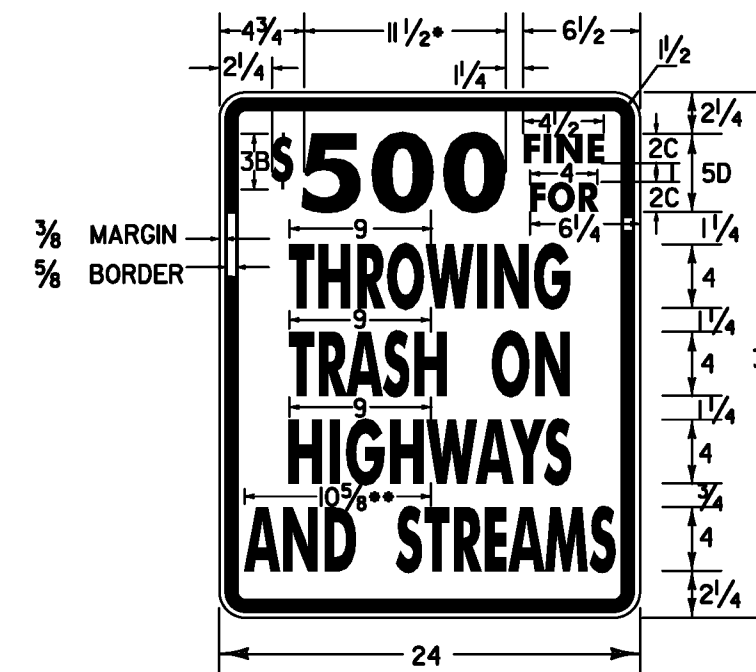


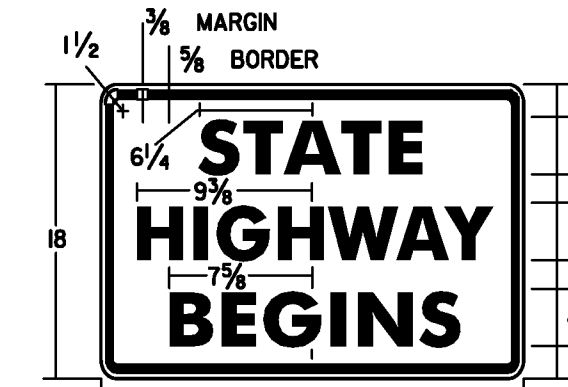
9.5 2 8 2.25
 6.625 10.75 6.625
 5.125 17.25 5.125
 3.375 24 3.375
 1.500" Radius, 0.625" Border,
 0.375" Indent, Black on White;
 [LEGAL LOAD] B 50% spacing;
 [LIMIT] C; [10,000] C; [POUNDS] C;



* REDUCE SPACING 50 %
 LINE 3 ALTERNATE - 16,000
VR-017



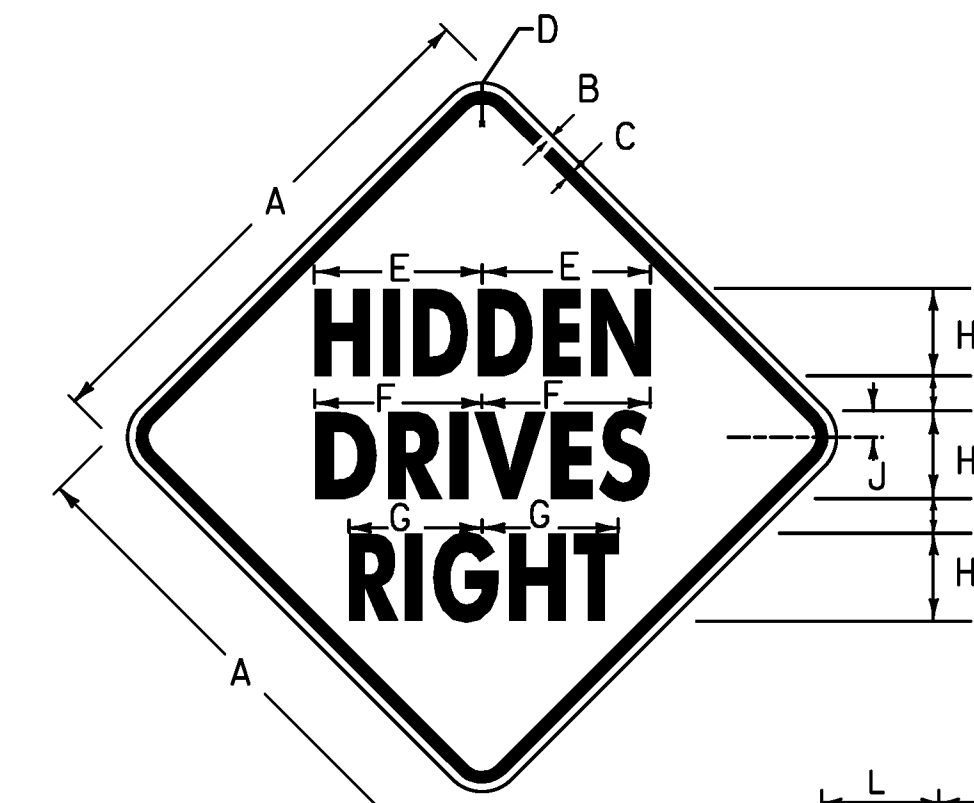
• REDUCE SPACING 40%
 • REDUCE SPACING 60%
VR-023b



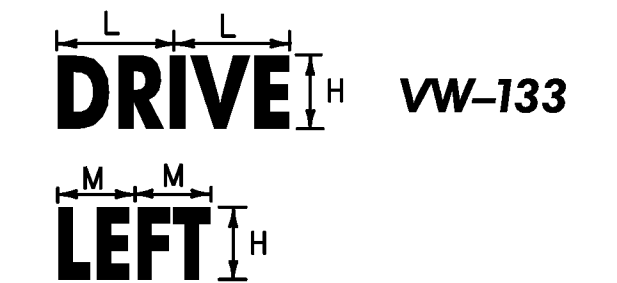
VR-039



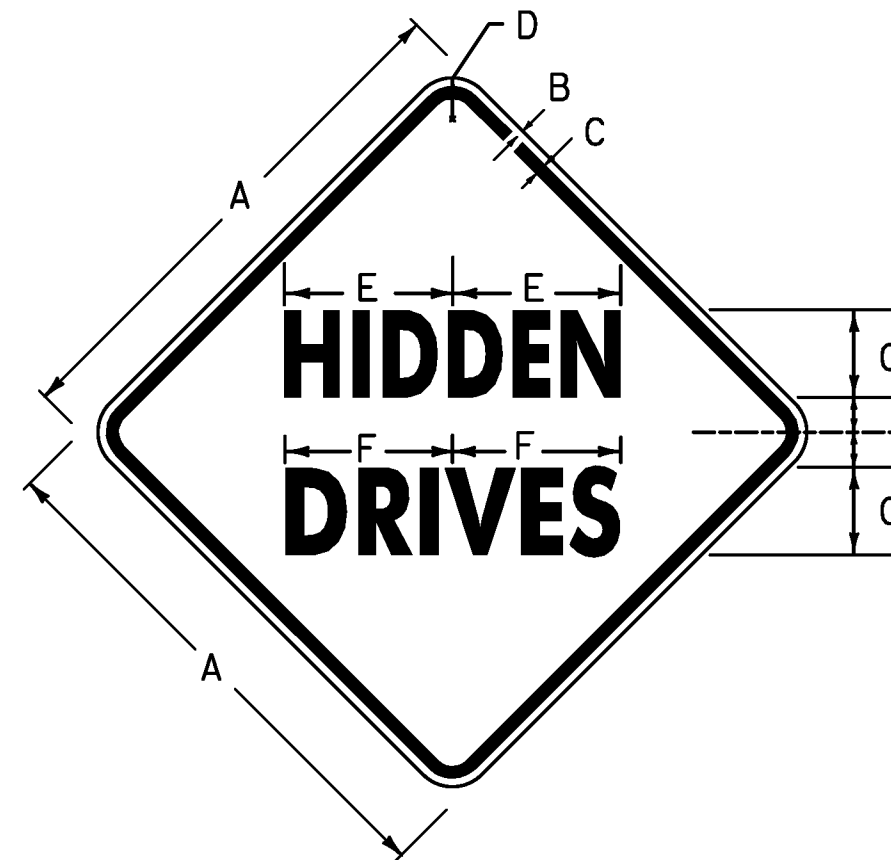
VR-038



VW-054



VW-133



SIGN	DIMENSIONS (INCHES)							
	A	B	C	D	E	F	G	H
MIN	24	3/8	5/8	1/2	7 1/16	7 5/8	4C	2
STD	30	1/2	3/4	1 1/8	9 9/16	9 1/2	5C	2
EXPWY.	36	5/8	7/8	2 1/4	11 1/16	11 1/2	6C	2 3/8
SPECIAL	48	3/4	1 1/4	3	15 3/8	15 1/4	8C	3 3/8

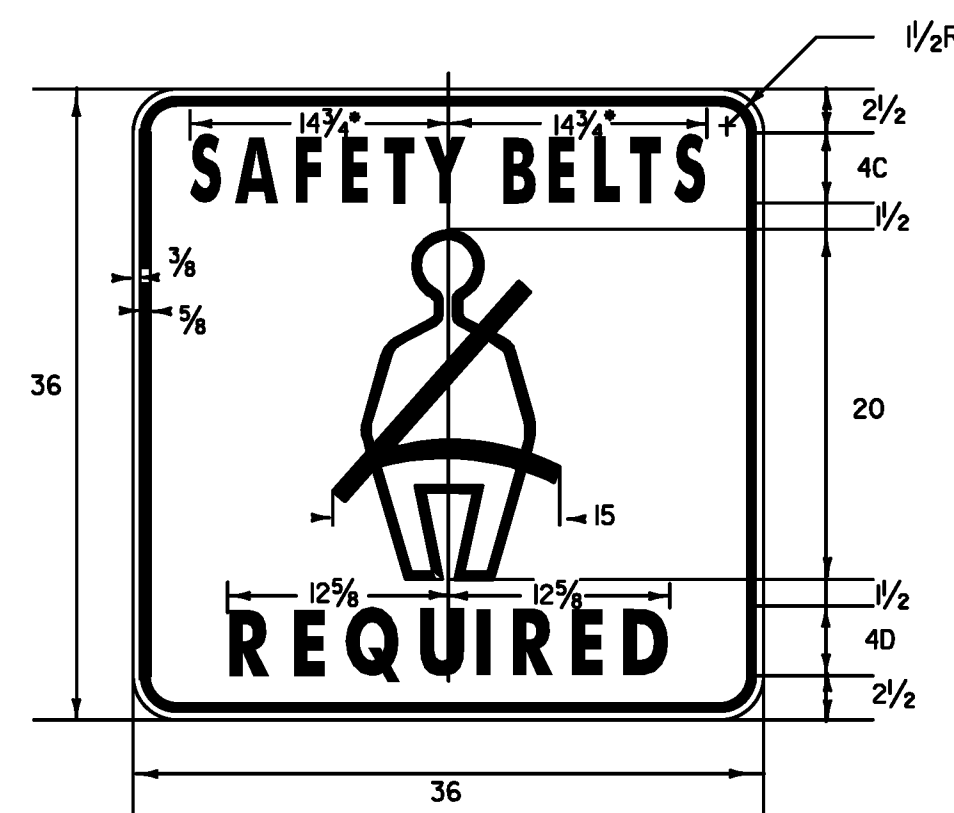
VW-060



16.75 3.63 5 3 3.63 2.5 2.5
 24
 1.50" Radius, 0.63" Border, 0.38" Indent, Black on Yellow;
 [UNSAFE] C; [TO PASS] C;

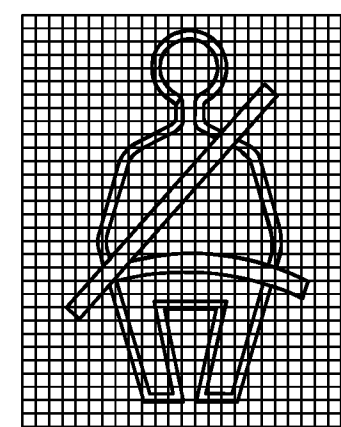
VW-092P

SIGN	DIMENSIONS (INCHES)												
	A	B	C	D	E	F	G	H	J	K	L	M	
MIN	24	3/8	5/8	1/2	7 1/16	7 5/8	6 3/16	4C	1 3/16	2	6 3/16	4 1/8	
STD	30	1/2	3/4	1 1/8	9 9/16	9 1/2	7 1/16	5C	1 1/2	2	7 3/4	6 1/8	
EXPWY.	36	5/8	7/8	2 1/4	11 1/16	11 1/2	9 3/16	6C	1 1/16	2 3/8	9 5/8	7 3/8	
SPECIAL	48	3/4	1 1/4	3	15 3/8	15 1/4	12 3/16	8C	2 3/8	3 3/8	12 3/8	9 3/8	



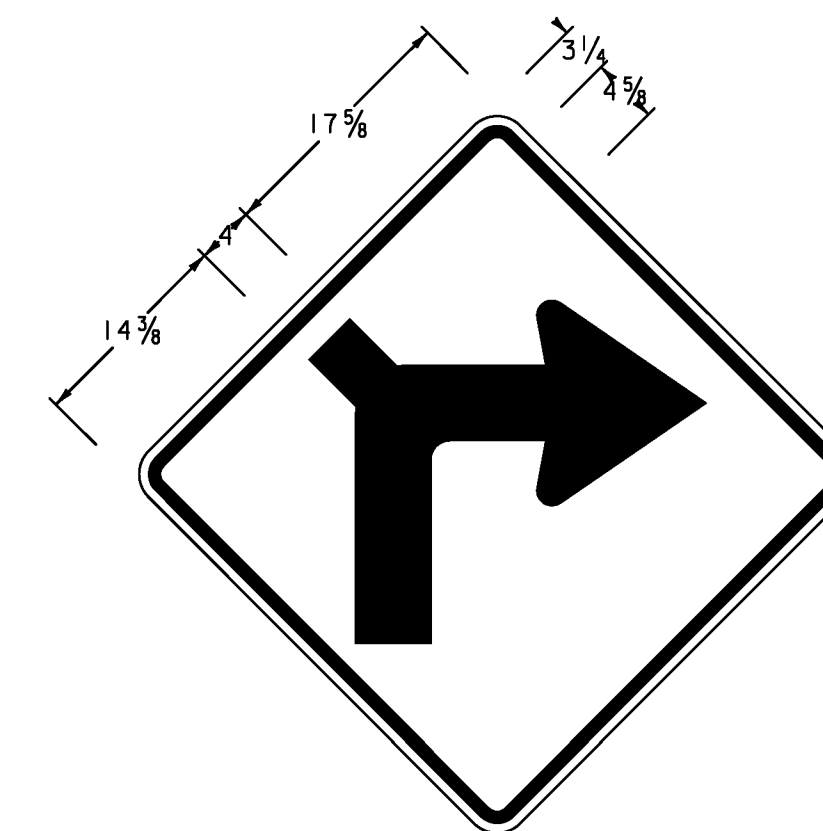
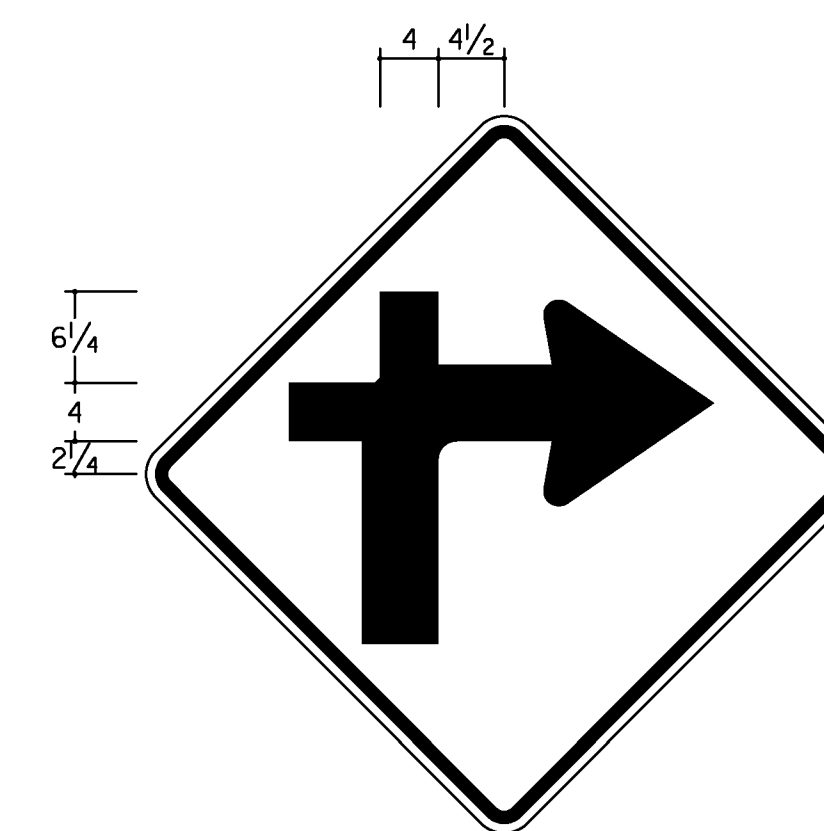
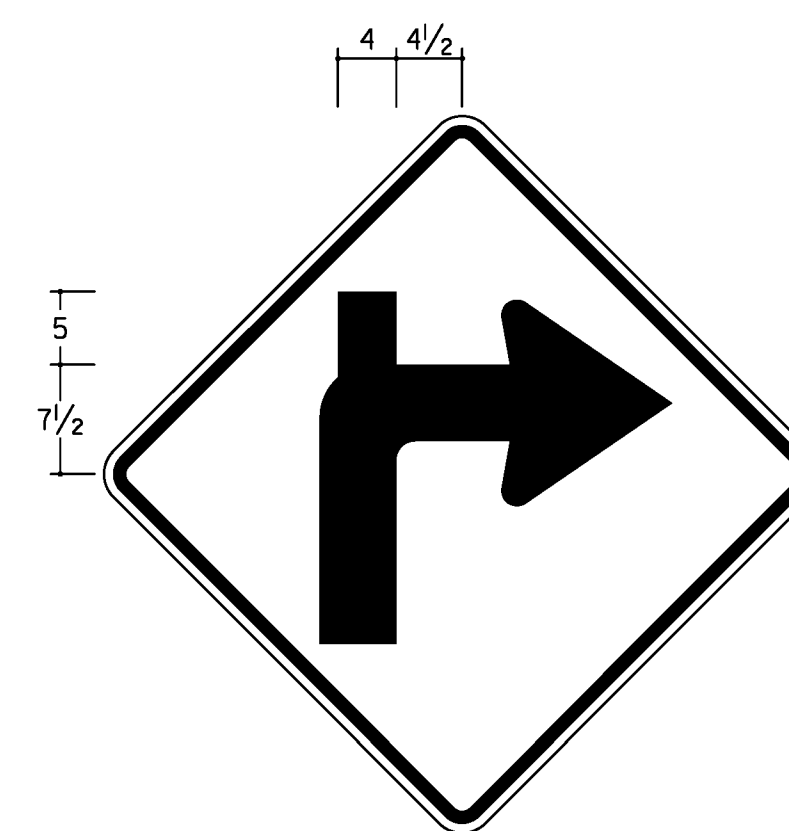
BLACK TEXT AND BORDER
 WHITE RETROREFLECTIVE BACKGROUND
VR-601

•REDUCE SPACING 50%

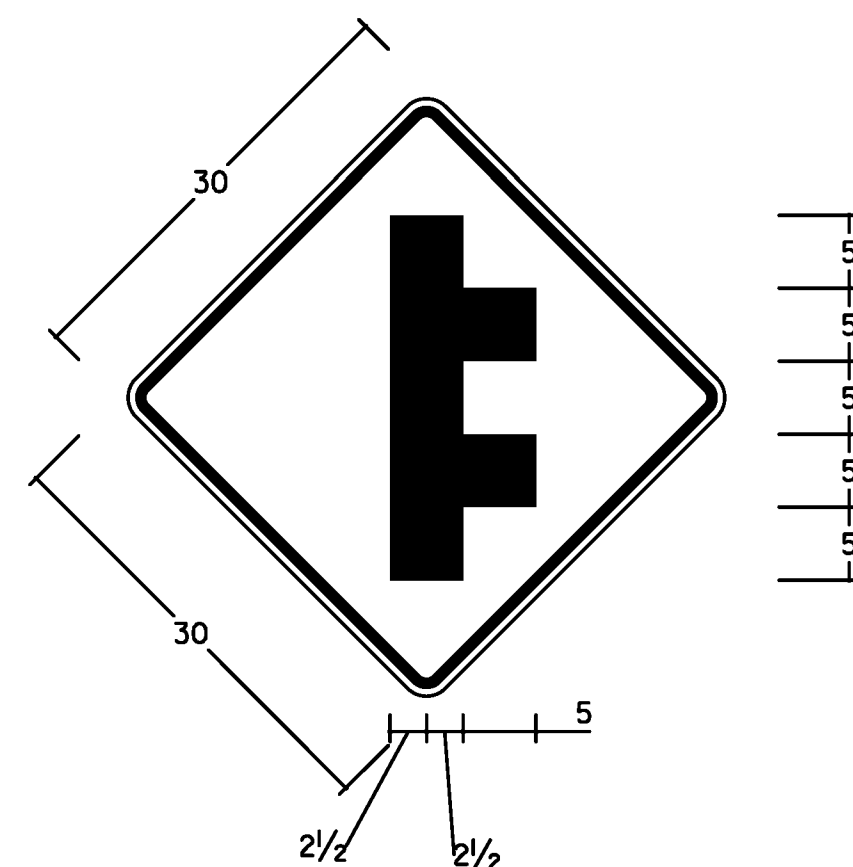


9.8 3 6.7 2.2 2.3 2.4
 1.5" Radius, 0.6" Border, 0.4" Indent, Black on Fluorescent yellow;
 [STATE] B 2K; [LAW] B 2K;

VW-362P



VW1-1MR (VW1-1ML OPPOSITE)
 BASE SIGN IS 36" X 36" W-1-H REFER TO
 STANDARD HIGHWAY SIGNS AND MARKINGS FOR DETAILS



W2-8
 BLACK ON YELLOW
 1.875 INCH RADIUS
 0.75 INCH BORDER INSET 0.50 INCHES

ALL DIMENSIONS SHOWN IN INCHES, EXCEPT WHERE NOTED.

NOT TO SCALE

TYLIN INTERNATIONAL

PROJECT NAME: STATEWIDE-SOUTHWEST
 PROJECT NUMBER: STPG SIGN(47)

FILE NAME: z12c534_SD02.dgn
 PROJECT LEADER: D. BRYANT
 DESIGNED BY: B. TOOTHAKER
 SIGN DETAILS 6

PLOT DATE: 9/15/2014
 DRAWN BY: B. TOOTHAKER
 CHECKED BY: K. KERN
 SHEET 9 OF 107