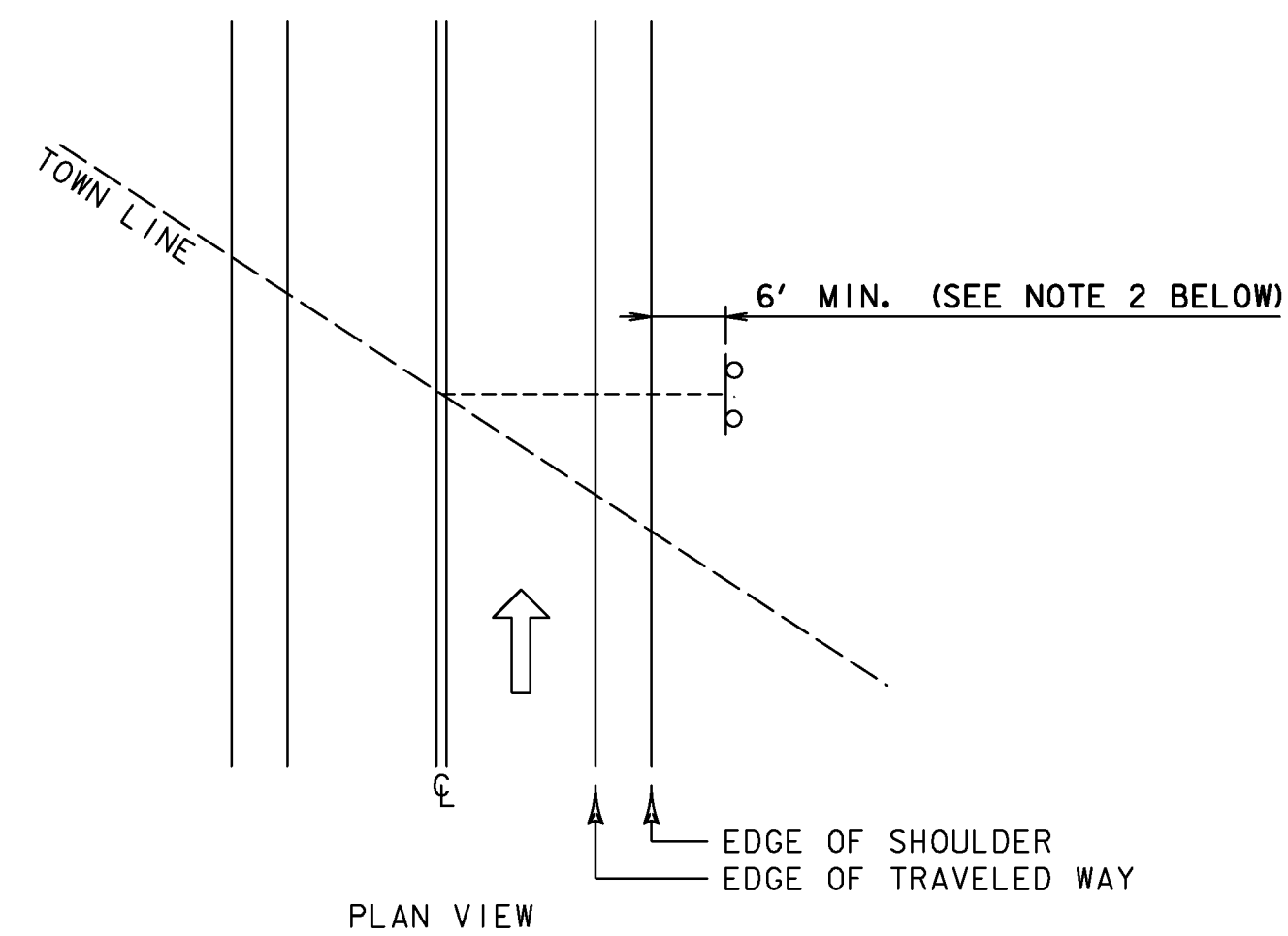


WHEN CROSSING COUNTY BOUNDARIES, AN ADDITIONAL COUNTY LINE SIGN (VD-025) SHALL BE MOUNTED BELOW THE TOWN LINE SIGN (VD-024), MAINTAINING A SEVEN FOOT CLEARANCE.



TOWN / COUNTY LINE (VD-024 / VD-025) INSTALLATION:

1. THE SIGN SHALL BE MOUNTED PARALLEL WITH THE ROADWAY, NORMALLY ON THE RIGHT SIDE TRAVELING WEST TO EAST OR SOUTH TO NORTH.
2. FOR POST-MOUNTED SIGNS, THE MINIMUM LATERAL OFFSET SHOULD BE TWELVE FEET FROM THE EDGE OF THE TRAVELED WAY. IF A SHOULDER WIDER THAN SIX FEET EXISTS, THE MINIMUM LATERAL OFFSET FOR POST MOUNTED SIGNS SHOULD BE SIX FEET FROM THE EDGE OF SHOULDER.

DELINEATOR LOCATIONS:

| TOWN: | DIRECTION: | MILE POINT: | NO. OF NEW TYPE II DELINEATORS (POSTS): | NO. OF REMOVALS: | POST SPACING (FEET): | SHEET: |
|----------|------------|---------------|---|------------------|----------------------|--------|
| ORWELL | EB | 4.449 - 4.529 | 12 (6) | - | 85 | 20 |
| ADDISON | EB | 1.150 - 1.250 | 42 (21) | - | 25 | 75 |
| ADDISON | WB | 1.250 - 1.150 | 42 (21) | - | 25 | 77 |
| CORNWALL | WB | 2.520 - 2.380 | 34 (17) | - | 70 | 104 |

NOTE: ALL DELINEATOR PLACEMENT SHALL BE IN CONFORMANCE WITH VAOT STANDARD T-40 DELINEATORS AND MILEPOSTS, UNLESS OTHERWISE NOTED.

ALL DELINEATORS WILL BE PLACED BACK TO BACK.

ALL DIMENSIONS SHOWN IN INCHES, EXCEPT WHERE NOTED.

NOT TO SCALE

TYLININTERNATIONAL

PROJECT NAME: STATEWIDE-SOUTHWEST
PROJECT NUMBER: STPG SIGN(47)

FILE NAME: z12c534_SD01.dgn
PROJECT LEADER: D. BRYANT
DESIGNED BY: B. TOOTHAKER
SIGN DETAILS I

PLOT DATE: 9/15/2014
DRAWN BY: B. TOOTHAKER
CHECKED BY: K. KERN
SHEET 4 OF 107