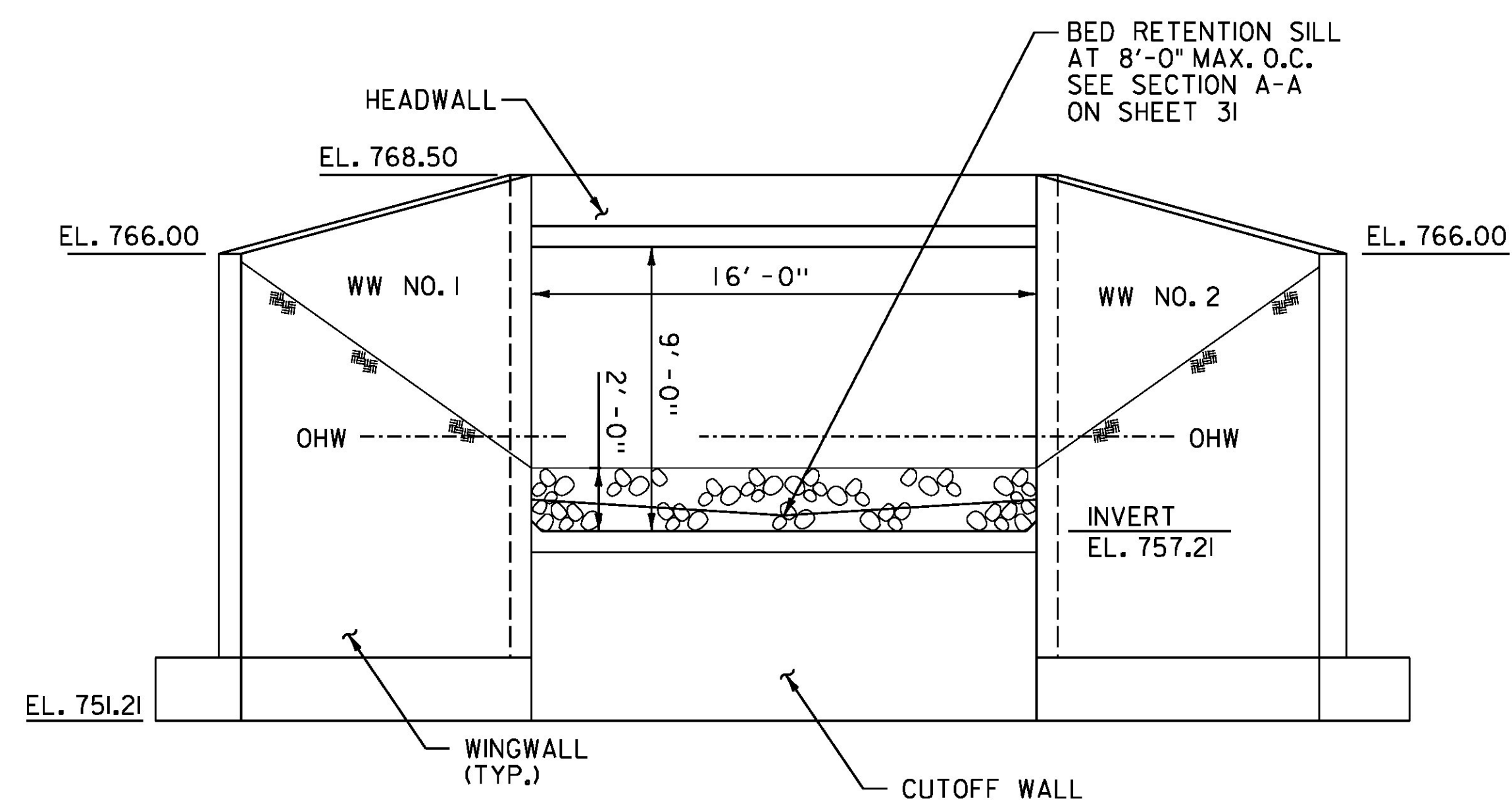


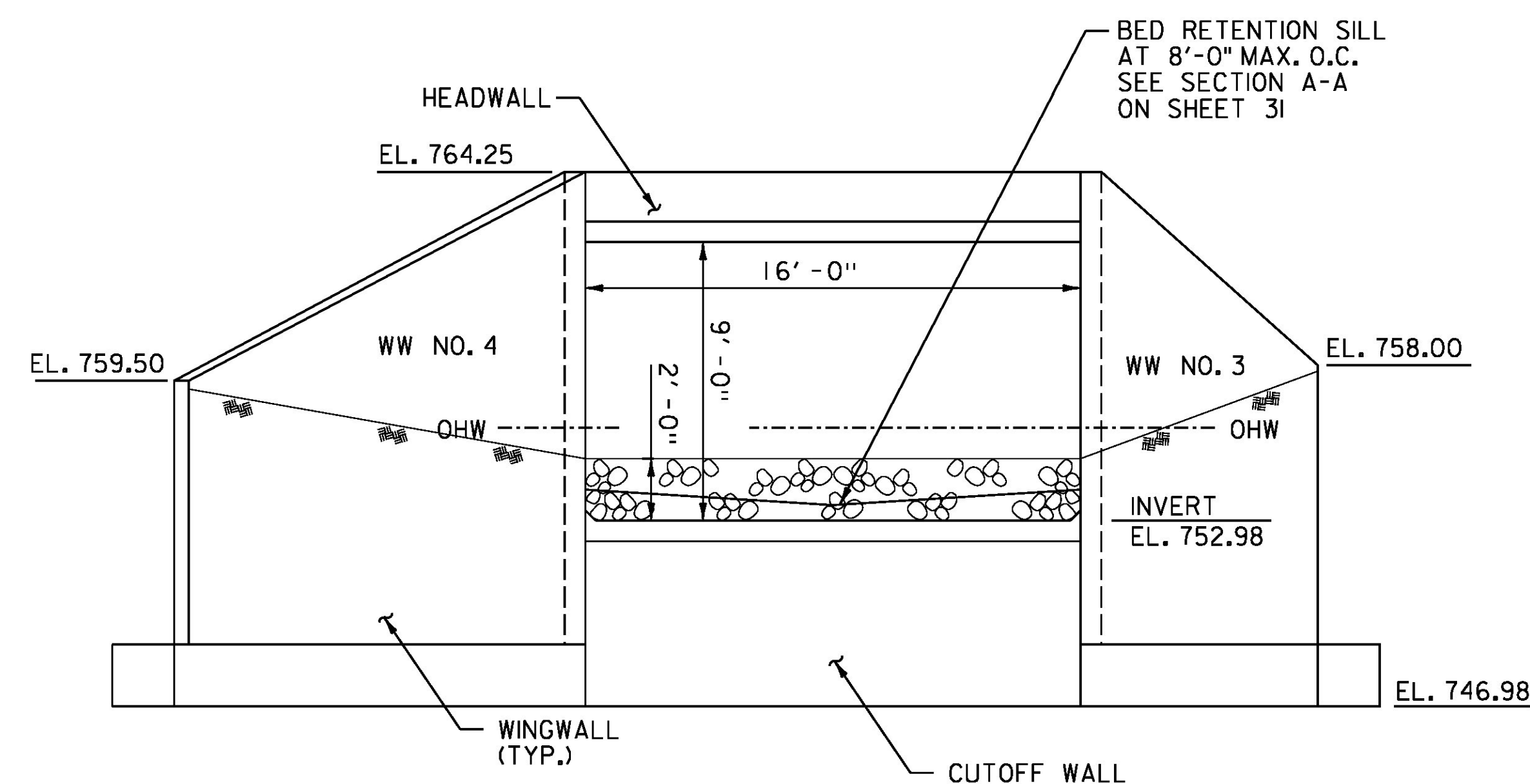
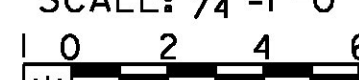
PRECAST CONCRETE STRUCTURE PLAN

SCALE: 1/4"=1'-0"



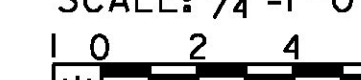
INLET ELEVATION

SCALE: 1/4"=1'-0"



OUTLET ELEVATION

SCALE: 1/4"=1'-0"



PROJECT NAME:	BRAINTREE	PLOT DATE:	1/10/2014
PROJECT NUMBER:	ER STP 0187(12)	DRAWN BY:	J. HUNGERFORD
FILE NAME:	z12c526typ.dgn	DESIGNED BY:	J. HUNGERFORD
PROJECT LEADER:	G. EDWARDS	CHECKED BY:	G. BOGUE
BRIDGE 7 STRUCTURAL PLAN & ELEV.		SHEET 30 OF 72	

