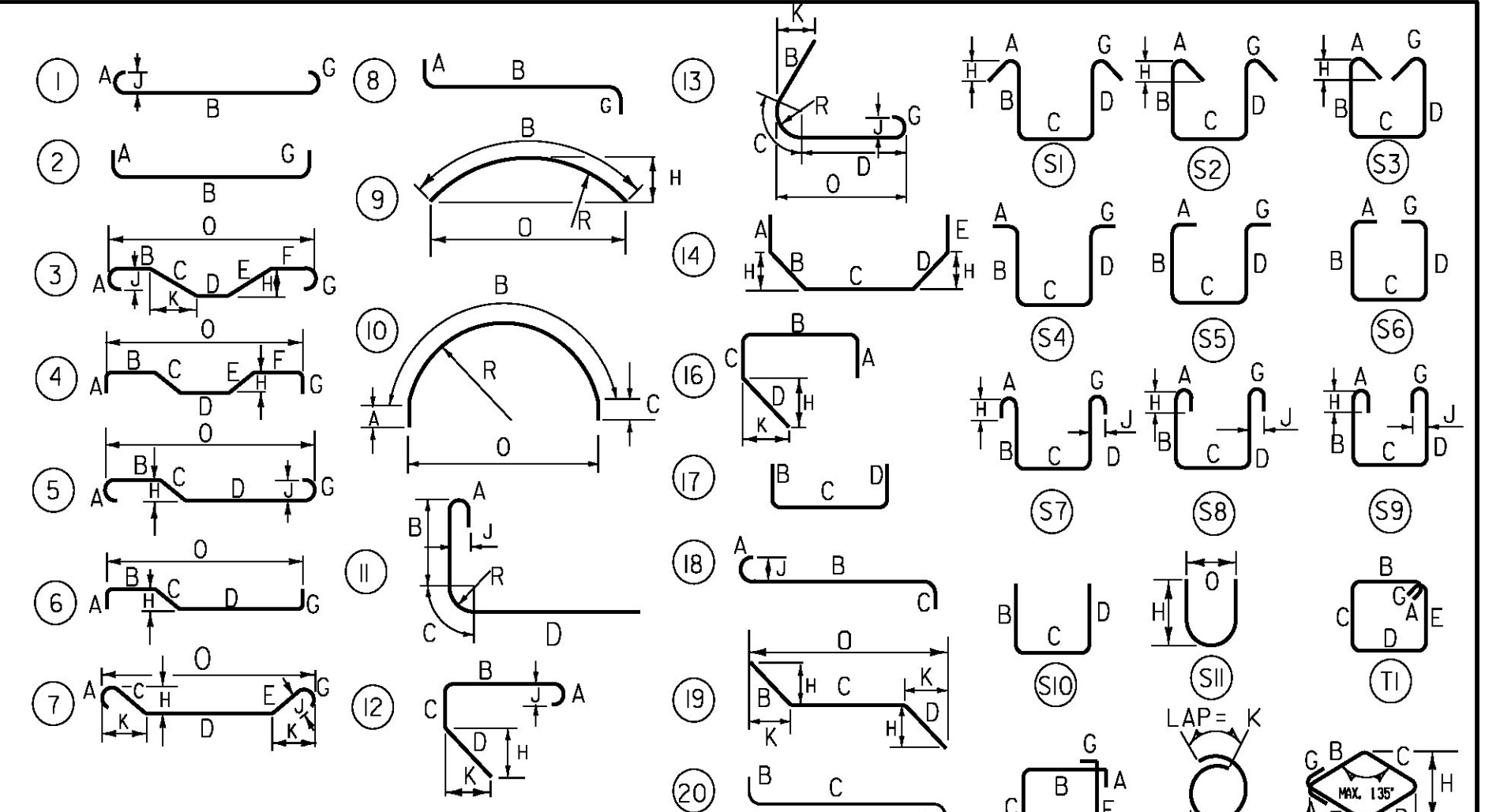


REINFORCING STEEL SCHEDULE

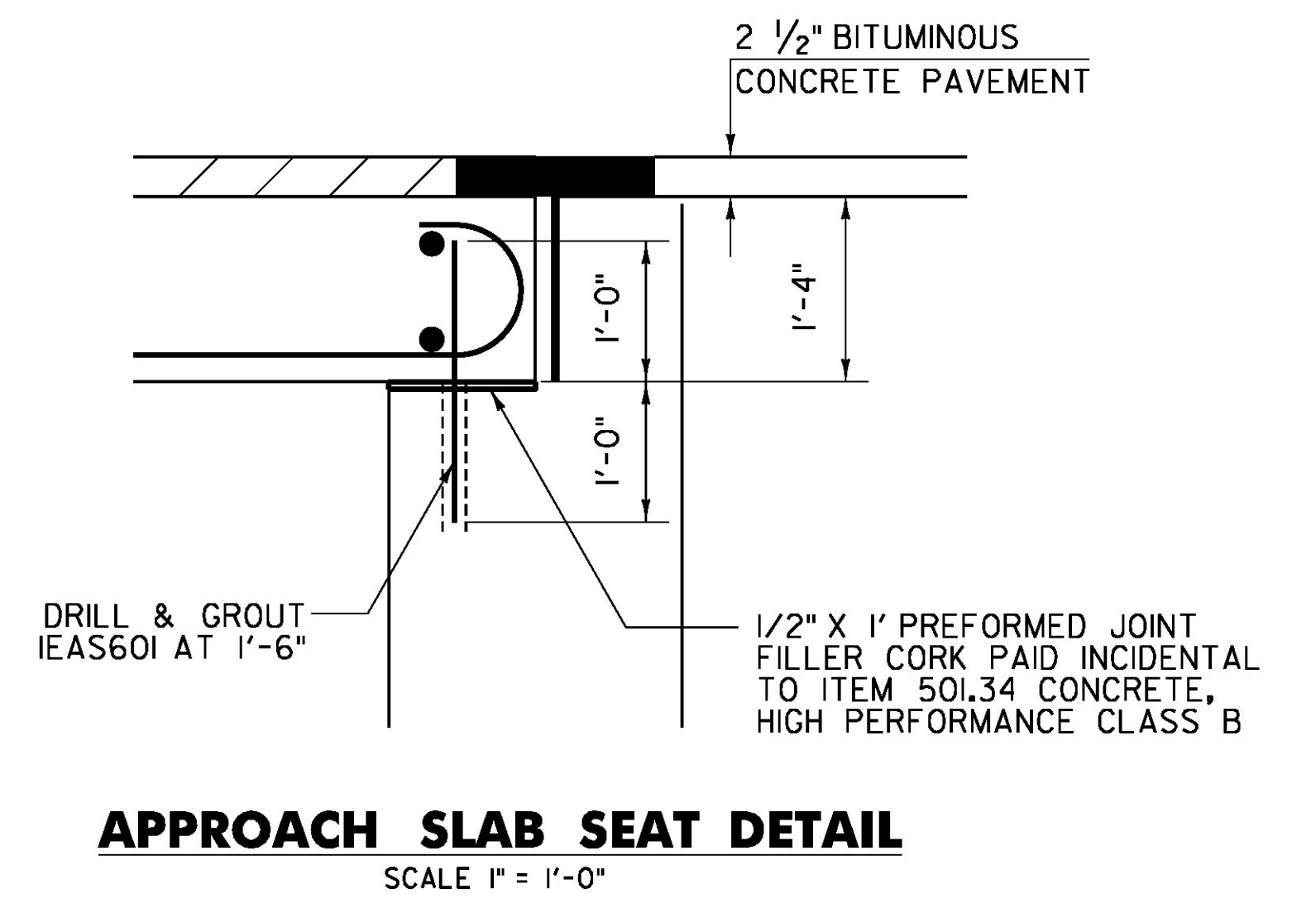
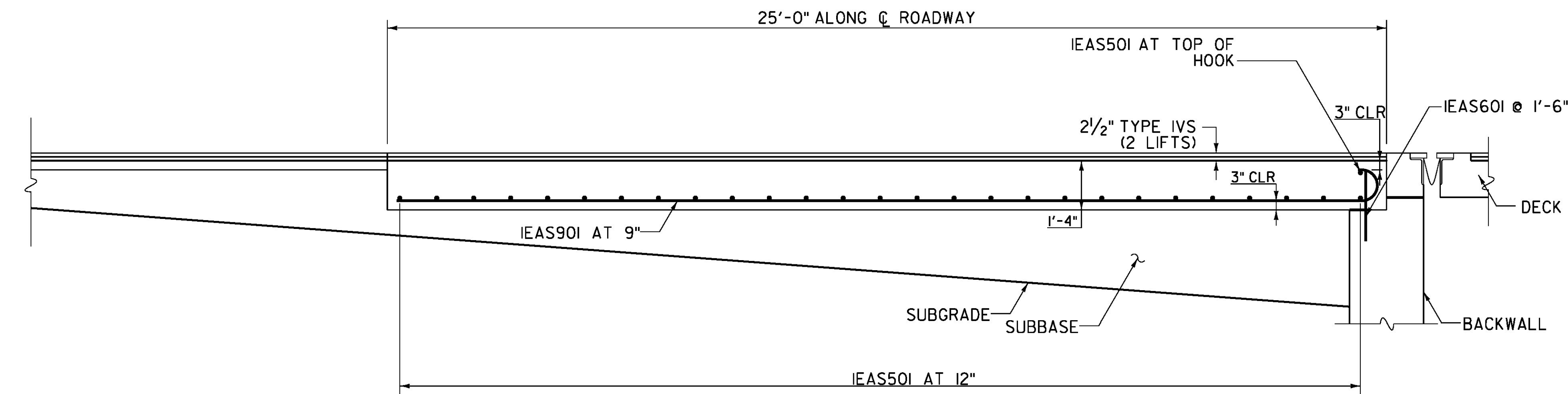
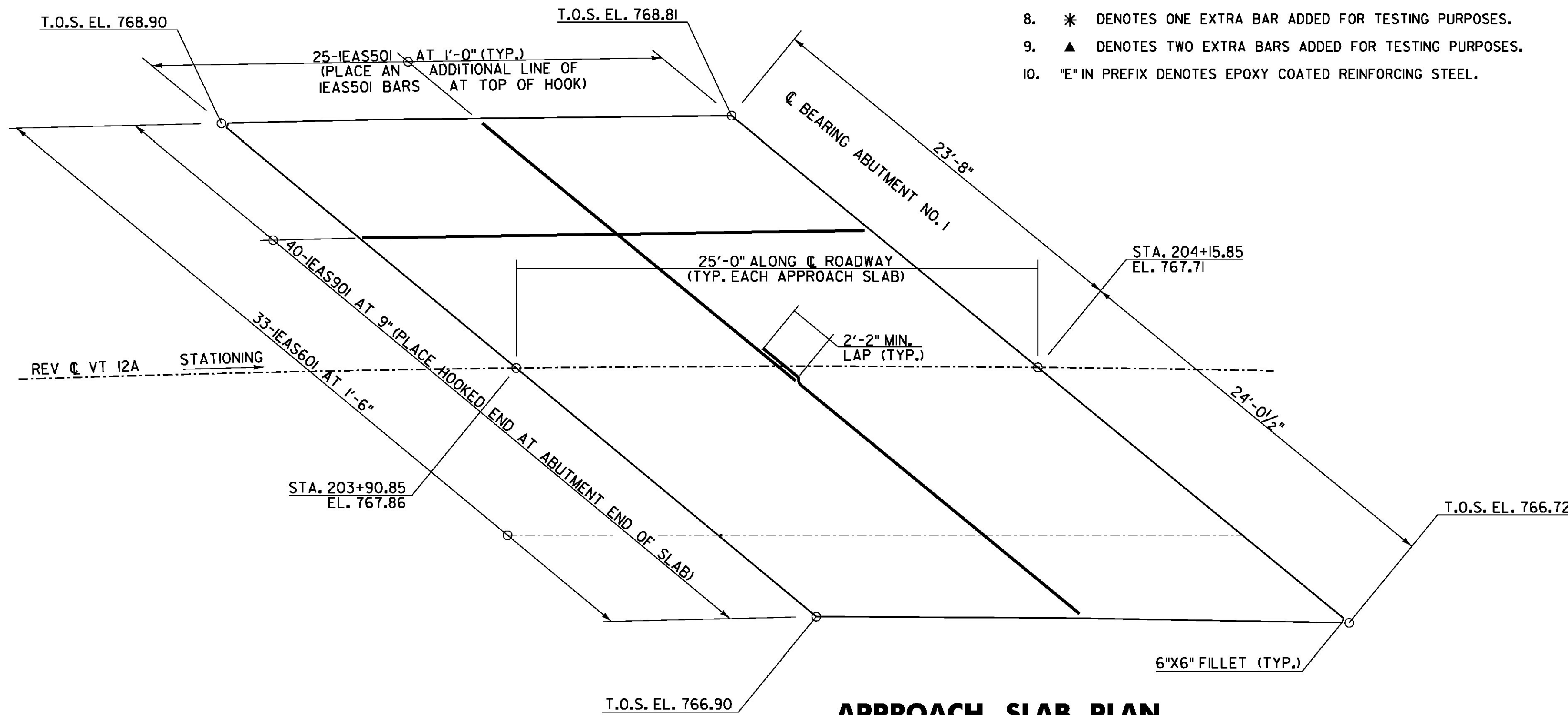
ITEM	NO.	PIECES	SIZE	LENGTH	MARK	TYPE	A	B	C	D	E	F	G	H	J	K	R	O
APPROACH SLAB NO. 1																		
1	52	5	24'-7"		IEAS501	STR												
2	33	6	2'-0"		IEAS601	STR				--								
3	41	9	25'-7"		IEAS901	I	1'-3"	24'-4"						--	0'-10"			
4																		
5																		

NOTES

- UNLESS OTHERWISE DESIGNATED, ALL BAR REINFORCEMENT FOR CONCRETE IN SIZES UP TO AND INCLUDING NO. 18 SHALL CONFORM TO THE REQUIREMENTS OF THE "SPECIFICATIONS FOR DEFORMED BILLET-STEEL BARS FOR CONCRETE REINFORCEMENT", AASHTO M 31 (ASTM A 615-S1). ALL BARS SHALL BE GRADE 60, UNLESS OTHERWISE DESIGNATED.
- FOR TYPICAL BENDING DETAILS, RECOMMENDED PIN DIAMETER "D" OF BENDS AND HOOKS, AND OTHER STANDARD PRACTICE, SEE CURRENT CONCRETE REINFORCING STEEL INSTITUTE "MANUAL OF STANDARD PRACTICE".
- BARS WHICH REQUIRE MORE ACCURATE BENDING THAN STANDARD PRACTICES SHOULD HAVE LIMITS INDICATED.
- ALL DIMENSIONS ARE OUT TO OUT OF BAR EXCEPT "A" AND "G" ON STANDARD 180 DEGREE AND 135 DEGREE HOOKS.
- "J" DIMENSION ON 180 DEGREE HOOKS TO BE SHOWN ONLY WHERE NECESSARY TO RESTRICT HOOK SIZE. OTHERWISE, STANDARD HOOKS ARE TO BE USED.
- "H" DIMENSION ON STIRRUPS TO BE SHOWN ONLY WHEN NECESSARY TO MAINTAIN CLEARANCES.
- WHERE SLOPE DIFFERS FROM 45 DEGREES, DIMENSIONS "H" AND "K" MUST BE SHOWN.
- * DENOTES ONE EXTRA BAR ADDED FOR TESTING PURPOSES.
- ▲ DENOTES TWO EXTRA BARS ADDED FOR TESTING PURPOSES.
- "E" IN PREFIX DENOTES EPOXY COATED REINFORCING STEEL.



ASTM STANDARD REINFORCING BARS				
BAR SIZE DESIGNATION	WEIGHT POUNDS PER FOOT	NOMINAL DIMENSIONS ROUND SECTION		
		DIAMETER INCHES	CROSS SECTIONAL AREA SQ. INCHES	PERIMETER INCHES
#3	.376	.375	.11	1.178
#4	.668	.500	.20	1.571
#5	1.043	.625	.31	1.963
#6	1.502	.750	.44	2.356
#7	2.044	.875	.60	2.749
#8	2.670	1.000	.79	3.142
#9	3.400	1.128	1.00	3.544
#10	4.303	1.270	1.27	3.990
#11	5.313	1.410	1.56	4.430
#14	7.65	1.693	2.25	5.32
#18	13.60	2.257	4.00	7.09



PROJECT NAME:	BRAINTREE
PROJECT NUMBER:	ER STP 0187(12)
FILE NAME:	z12c526typ.dgn
PROJECT LEADER:	G. EDWARDS
DESIGNED BY:	J. HUNGERFORD
BRIDGE 6 DETAIL SHEET 2	
PLOT DATE:	1/10/2014
DRAWN BY:	J. HUNGERFORD
CHECKED BY:	G. BOGUE
SHEET	26 OF 72

