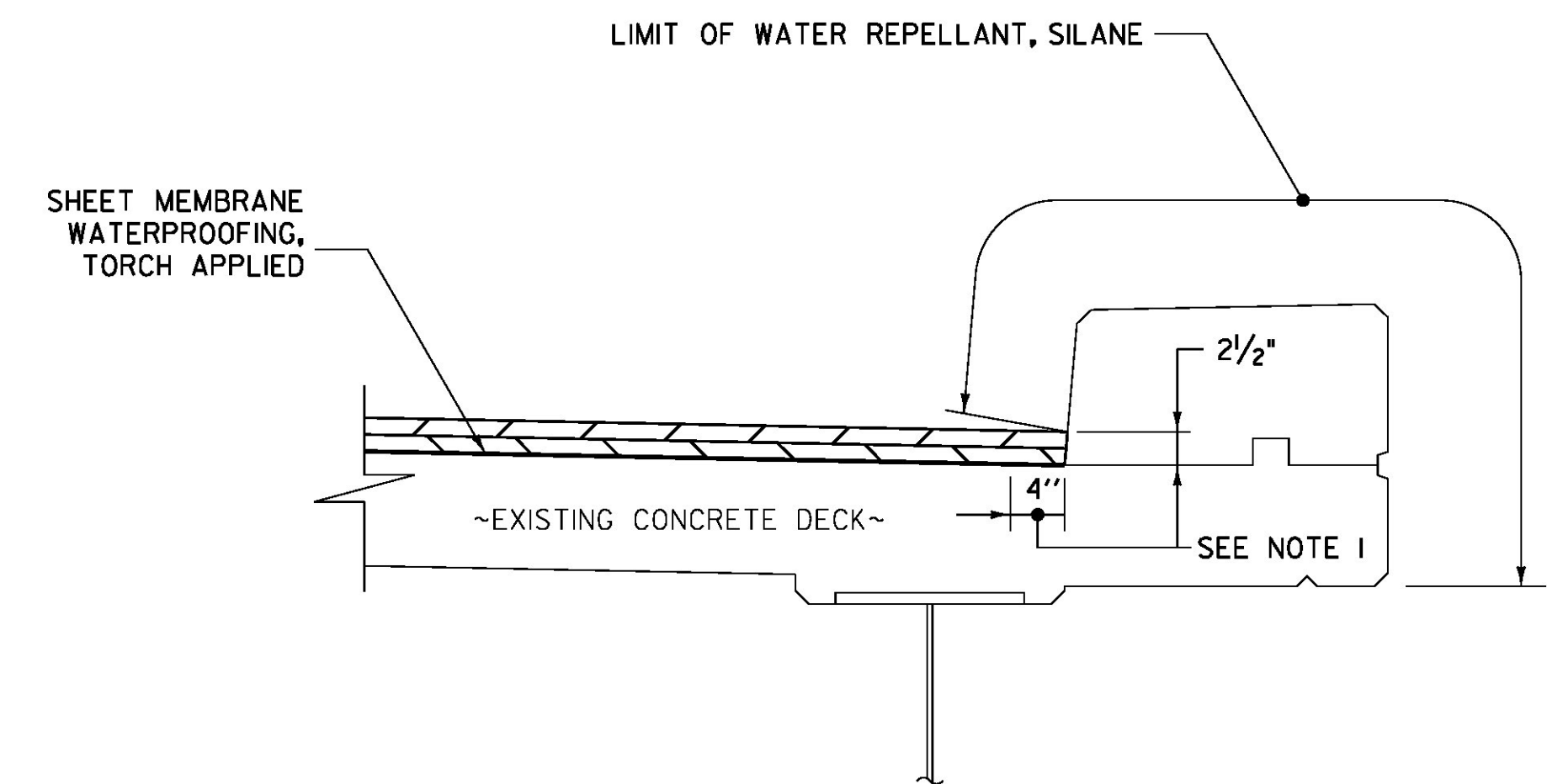


BRIDGE NO. 6 BITUMINOUS CONCRETE REMOVAL PLAN

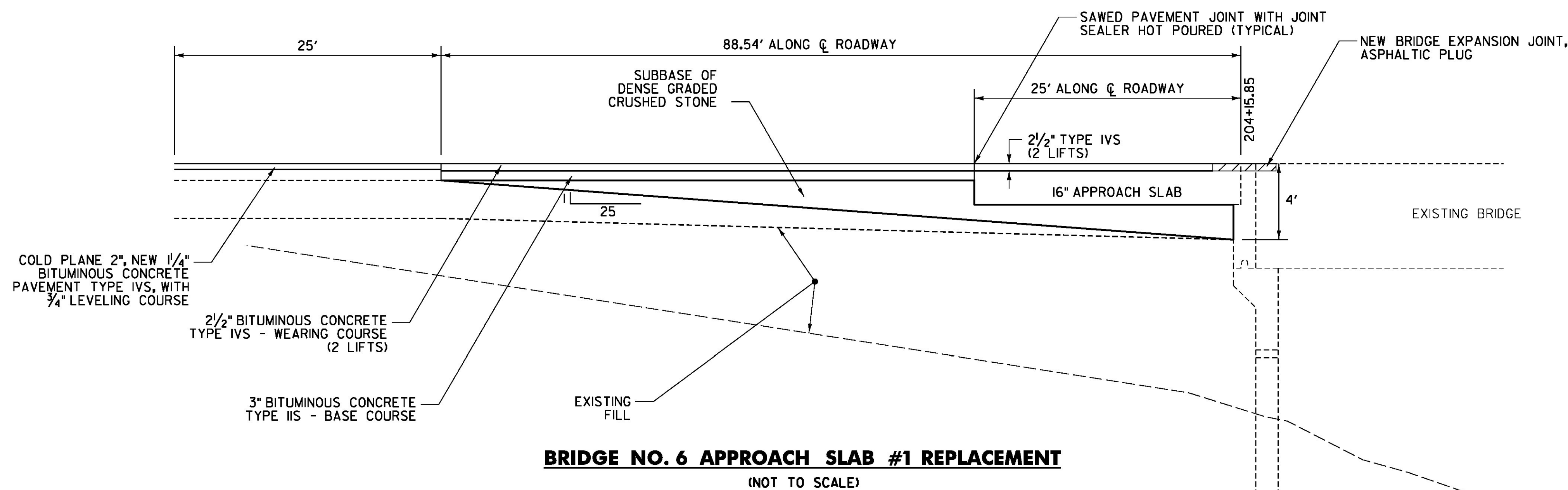
NOT TO SCALE



DETAIL A
NOT TO SCALE

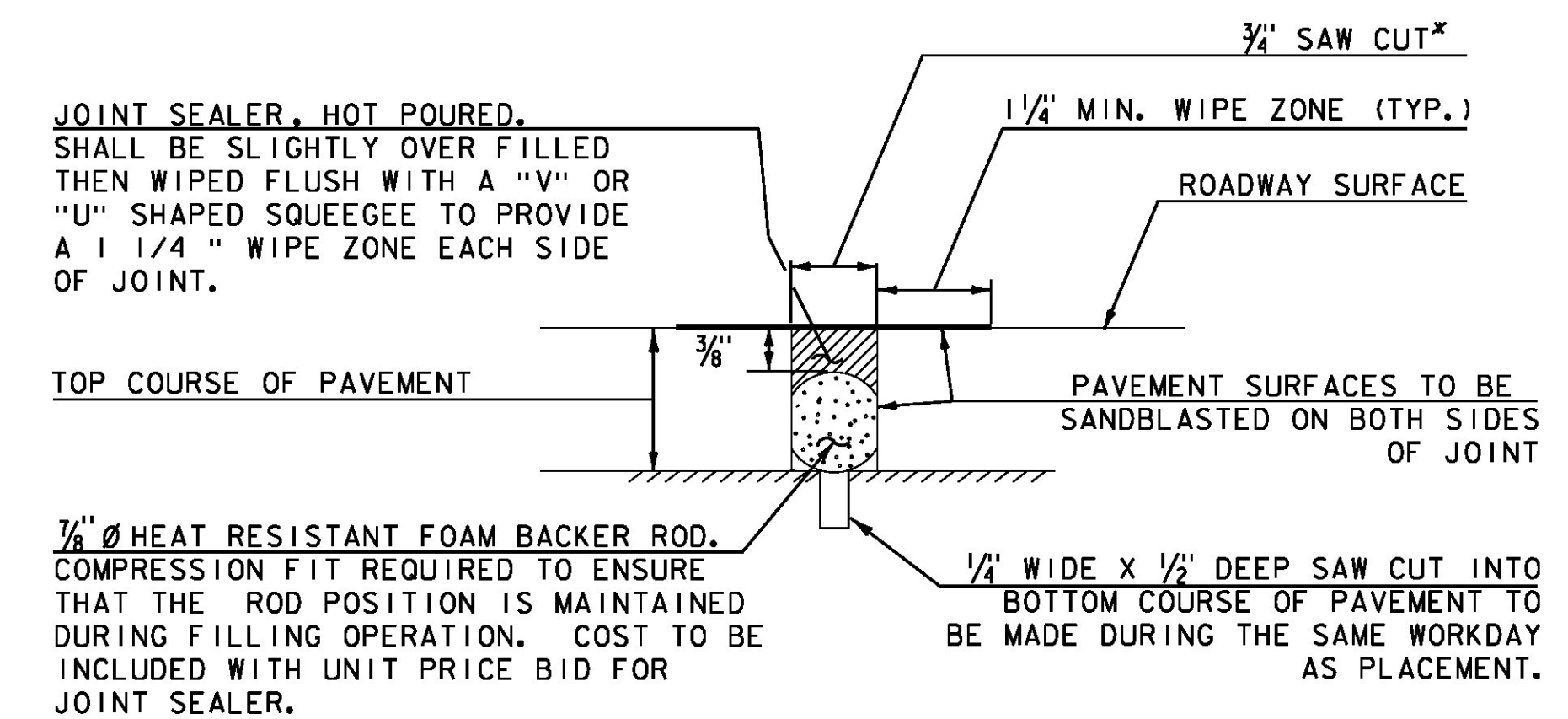
DETAIL A NOTES:

1. INDICATES AREA ALONG DECK AND UP FACE OF CURB FOR PLACEMENT OF TWO COATS OF POLYURETHANE MEMBRANE.
2. POLYURETHANE MEMBRANE AND BLAST CLEANING SHALL BE INCLUDED IN THE UNIT PRICE BID FOR ITEM 519.20, SHEET MEMBRANE WATERPROOFING, TORCH APPLIED.
3. SHEET MEMBRANE WATERPROOFING SHALL EXTEND TO FACE OF CURB AS SHOWN.
4. IN ADDITION TO THE REQUIREMENTS OF SUBSECTION 519.04, BLAST CLEAN 2 1/2" UP THE FACE OF CURB PRIOR TO PLACING THE MEMBRANE, INCIDENTAL TO ITEM 519.20, SHEET MEMBRANE WATERPROOFING, TORCH APPLIED.



BRIDGE NO. 6 APPROACH SLAB #1 REPLACEMENT

(NOT TO SCALE)

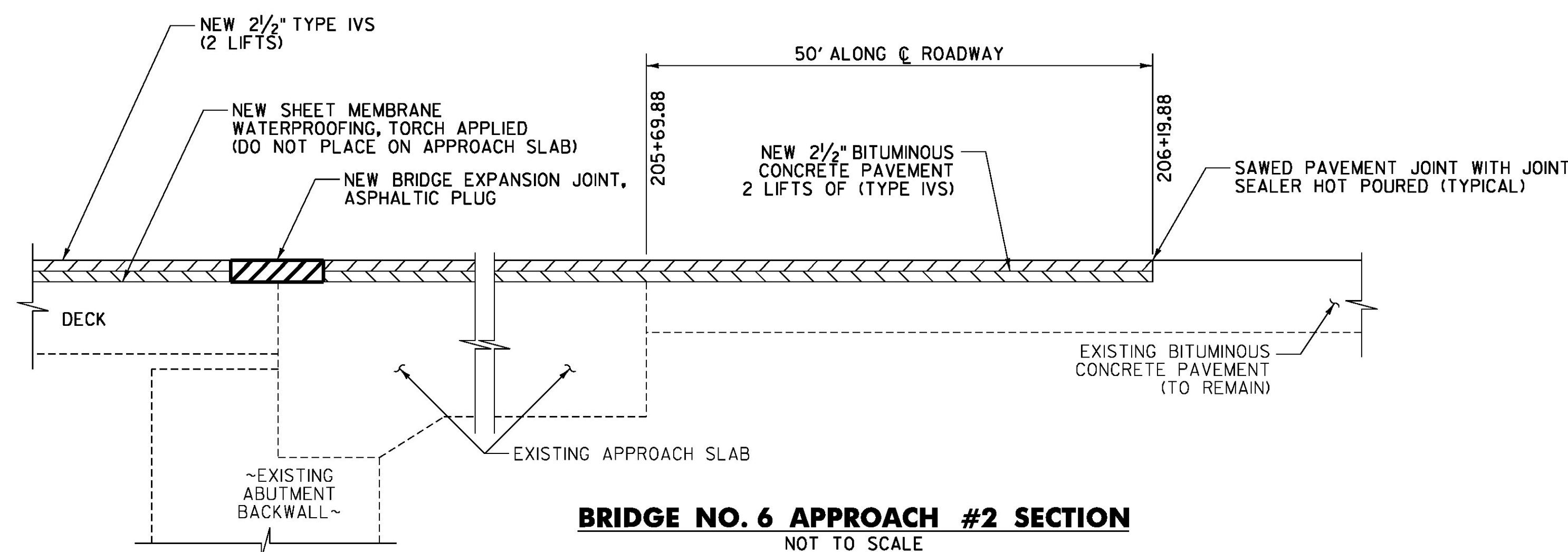


NOTE: PLACE JOINT SEALER, HOT Poured AT THE BEGINNING OF APPROACH SLABS.

SAWED PAVEMENT JOINT DETAIL

N. T. S.

* JOINT IS TO BE LOCATED ACCURATELY BY STRING LINING, OR OTHER MEANS, PRIOR TO PAVING, SO THAT THE SAW CUTS WILL BE MADE DIRECTLY OVER THE END OF CONCRETE DECK. JOINT SHALL BE CUT DRY IN A SINGLE PASS AND BE SEALED WITHIN 24 HOURS OR PRIOR TO EXPOSURE TO TRAFFIC. JOINT SHALL BE CLEANED PRIOR TO APPLYING THE JOINT SEALER. FOR LOCATION REQUIRED, REFER TO SHEET 26.



BRIDGE NO. 6 APPROACH #2 SECTION

NOT TO SCALE

PROJECT NAME:	BRAINTREE
PROJECT NUMBER:	ER STP 0187(12)
FILE NAME:	z12c526typ.dgn
PROJECT LEADER:	G. EDWARDS
DESIGNED BY:	J. HUNGERFORD
BRIDGE 6 DETAIL SHEET 1	
PLOT DATE:	1/10/2014
DRAWN BY:	J. HUNGERFORD
CHECKED BY:	G. BOGUE
SHEET	25 OF 72

