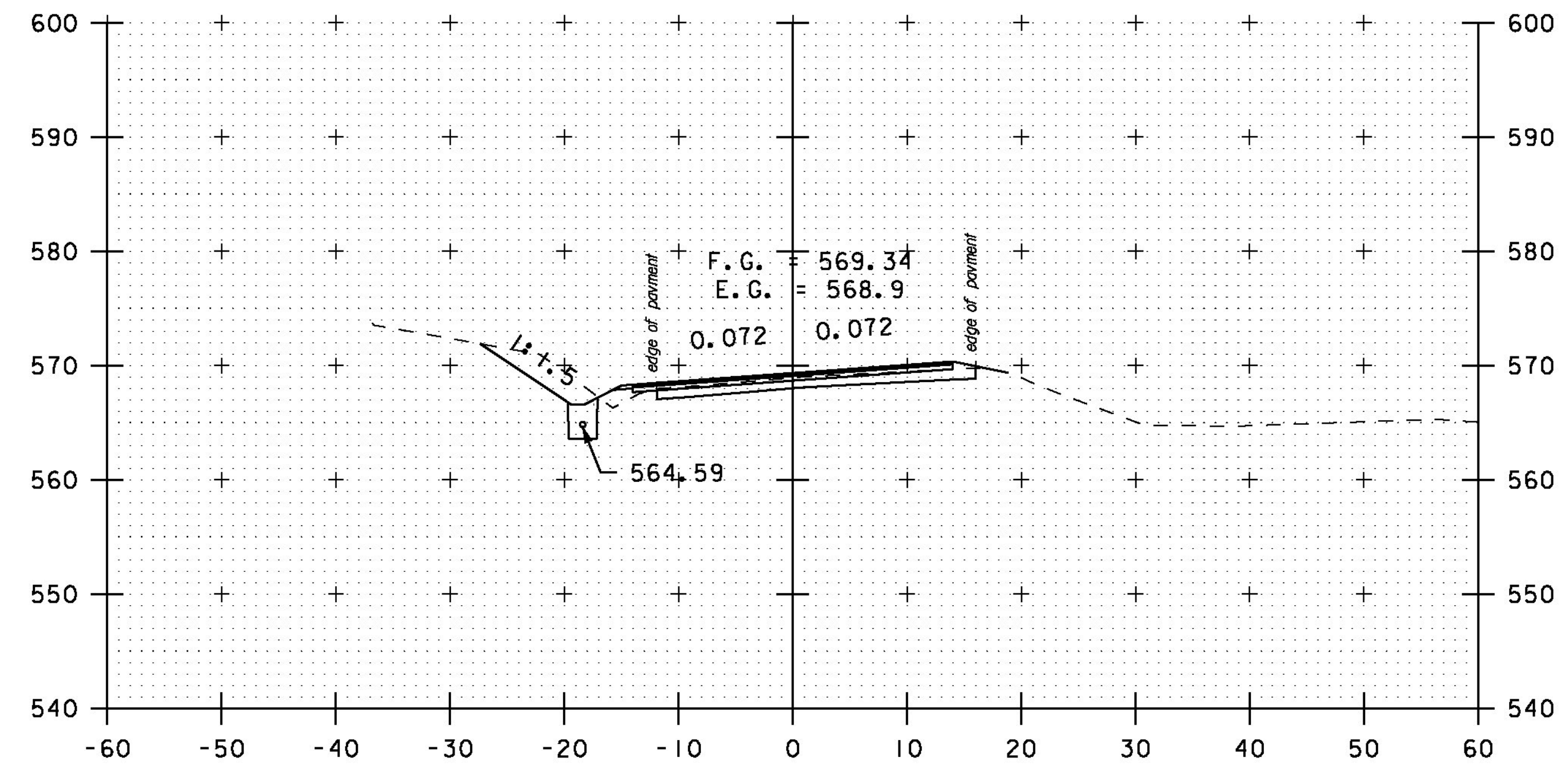
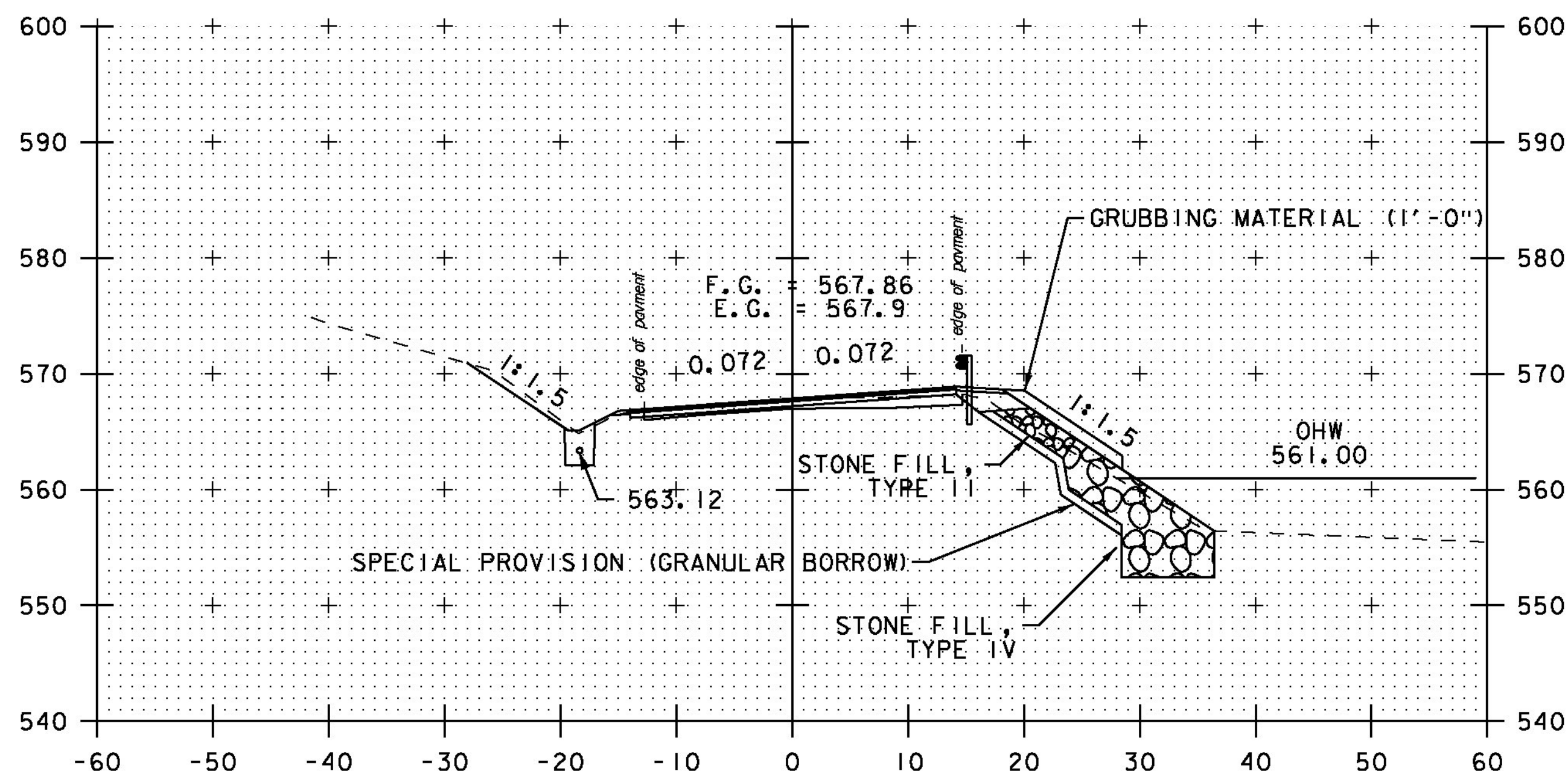


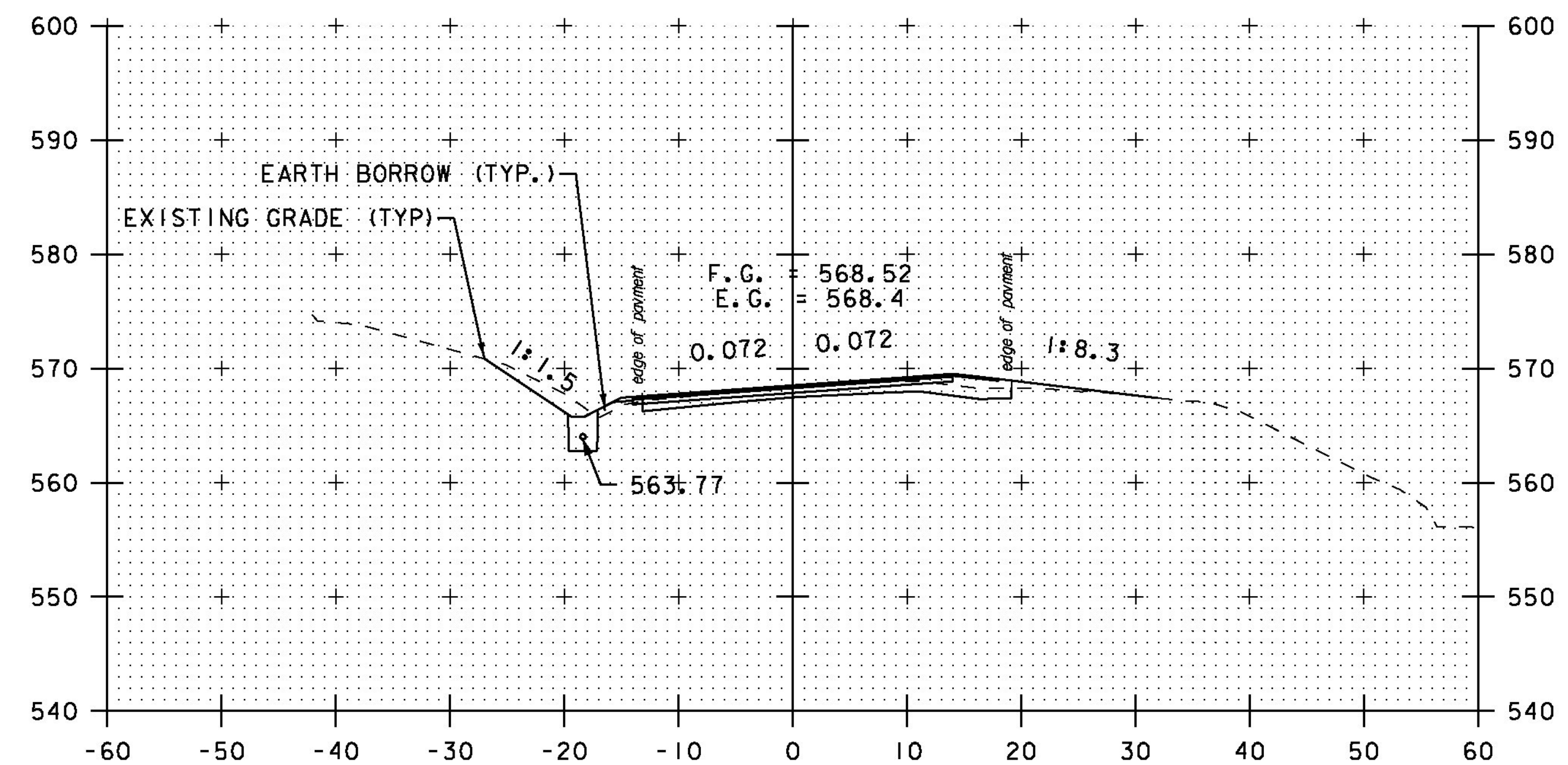
14+00



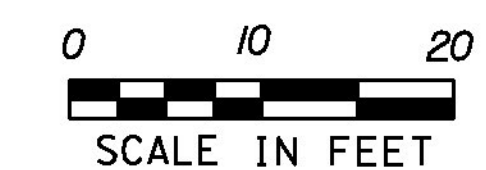
15+00



13+50



DRIVE RT
14+50



STA. 13+50 TO STA. 15+00

PROJECT NAME: MORETOWN
PROJECT NUMBER: ER STP 0167 (15)

FILE NAME: z12c524xs.dgn
PROJECT LEADER: J. TUCKER
DESIGNED BY: B. BRESLEND
VT 100B CROSS SECTION SHEET 7

PLOT DATE: 2/17/2015
DRAWN BY: B. MACK
CHECKED BY: A. SANZ
SHEET 51 OF 57