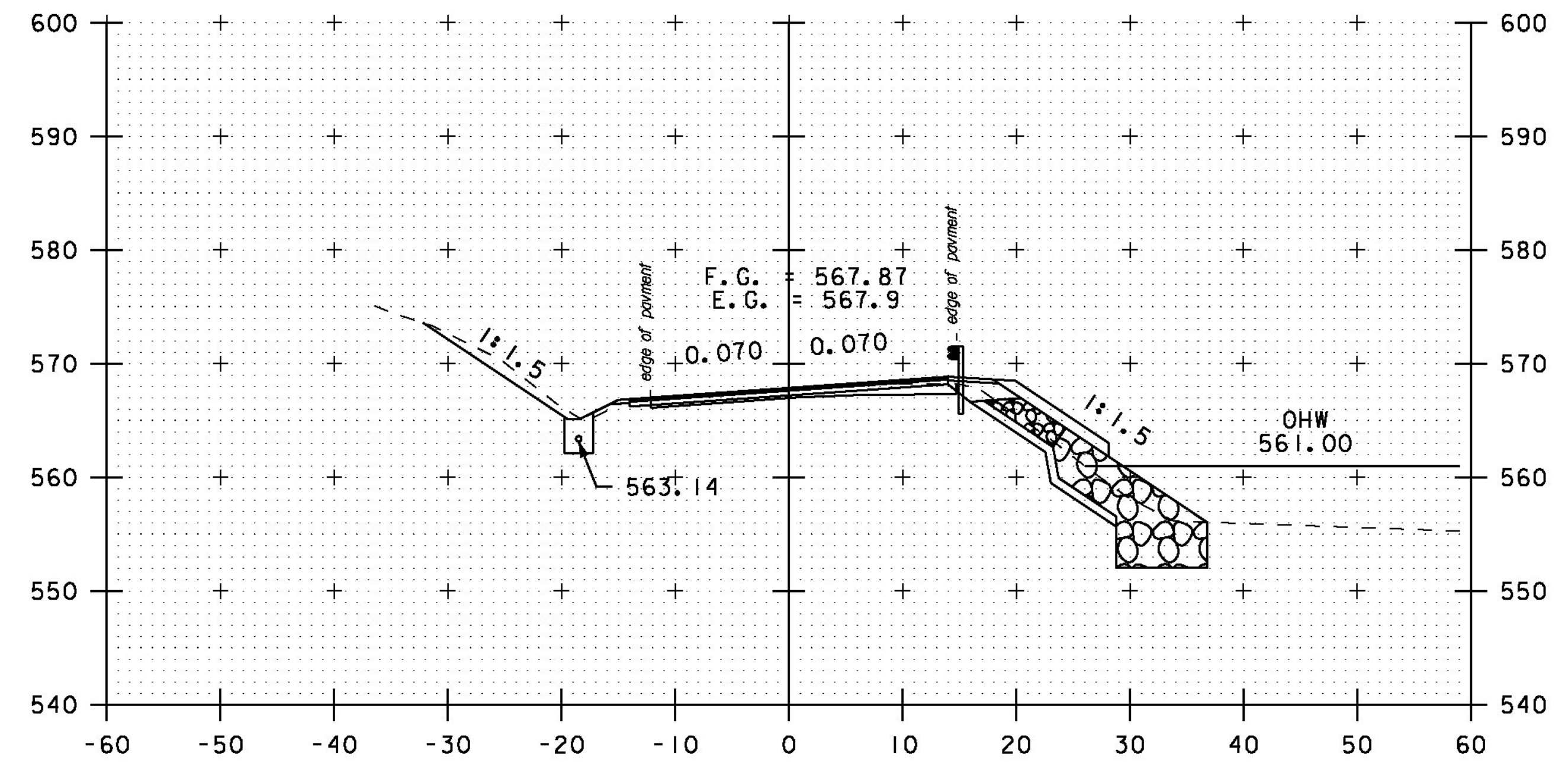
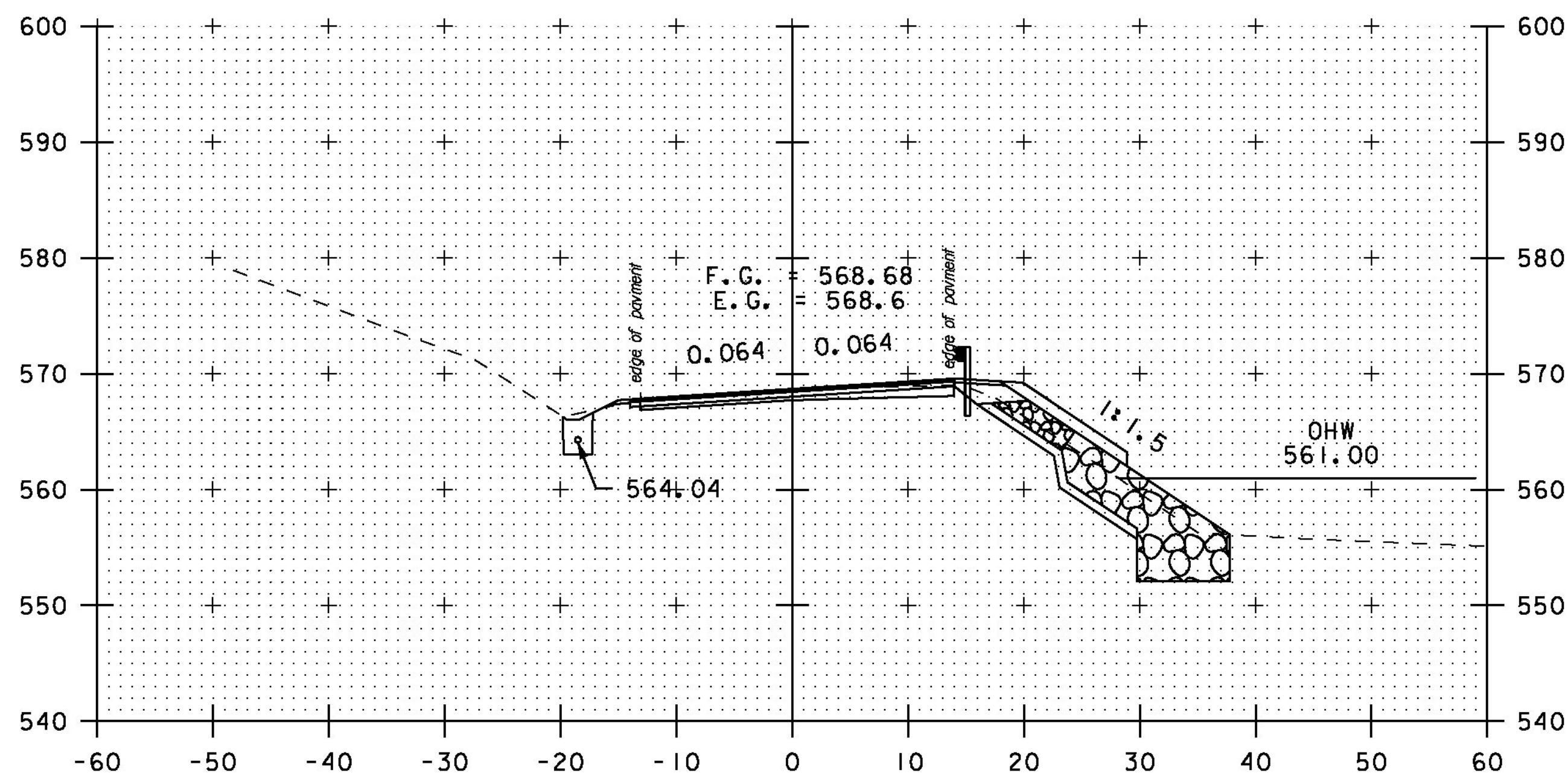


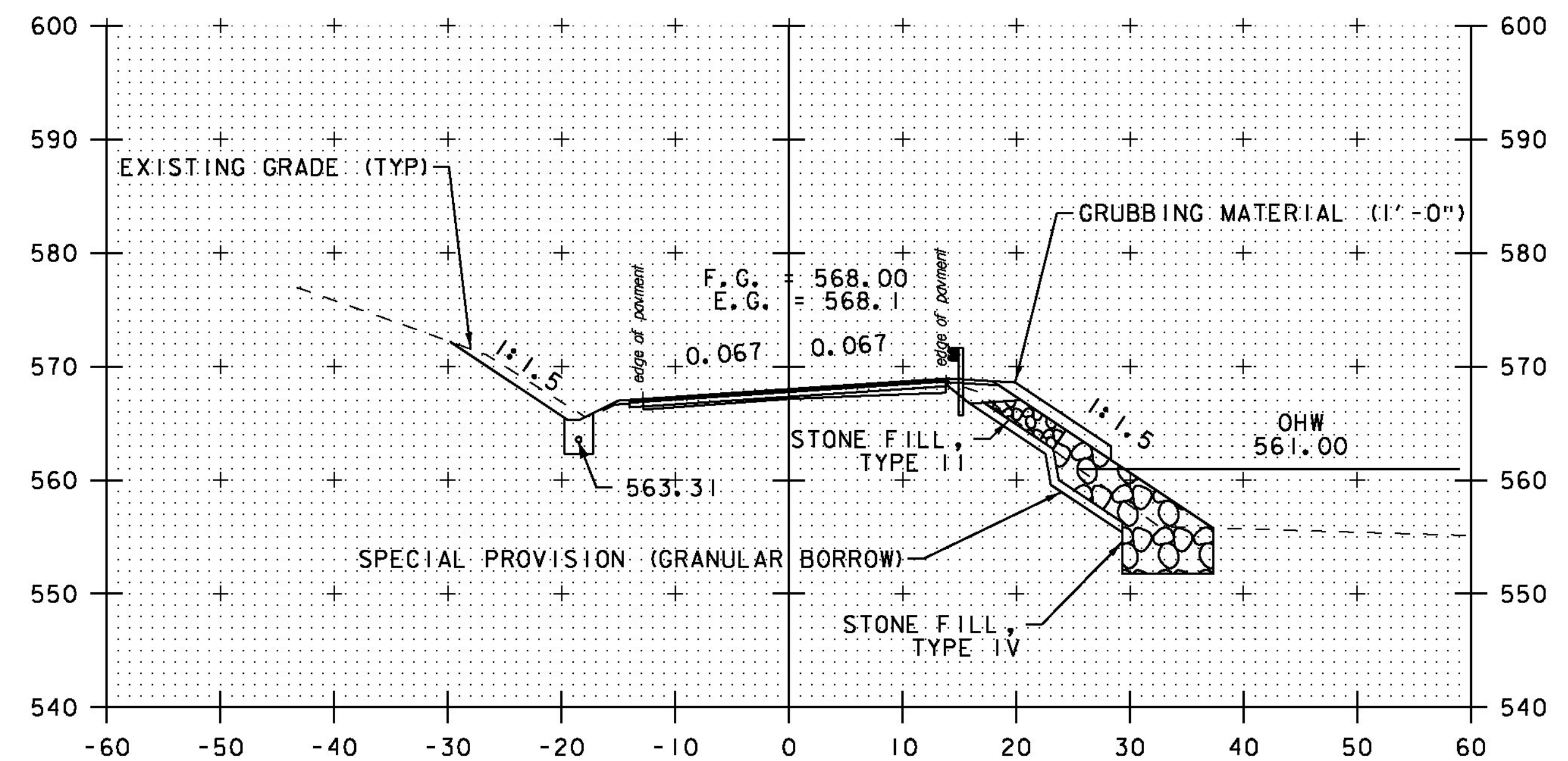
12+00



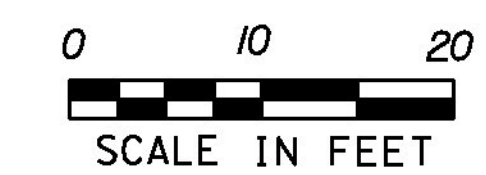
13+00



11+50



12+50



STA. 11+50 TO STA. 13+00

PROJECT NAME: MORETOWN
PROJECT NUMBER: ER STP 0167 (15)

FILE NAME: z12c524xs.dgn	PLOT DATE: 2/17/2015
PROJECT LEADER: J. TUCKER	DRAWN BY: B. MACK
DESIGNED BY: B. BRESLEND	CHECKED BY: A. SANZ
VT 100B CROSS SECTION SHEET 6	SHEET 50 OF 57