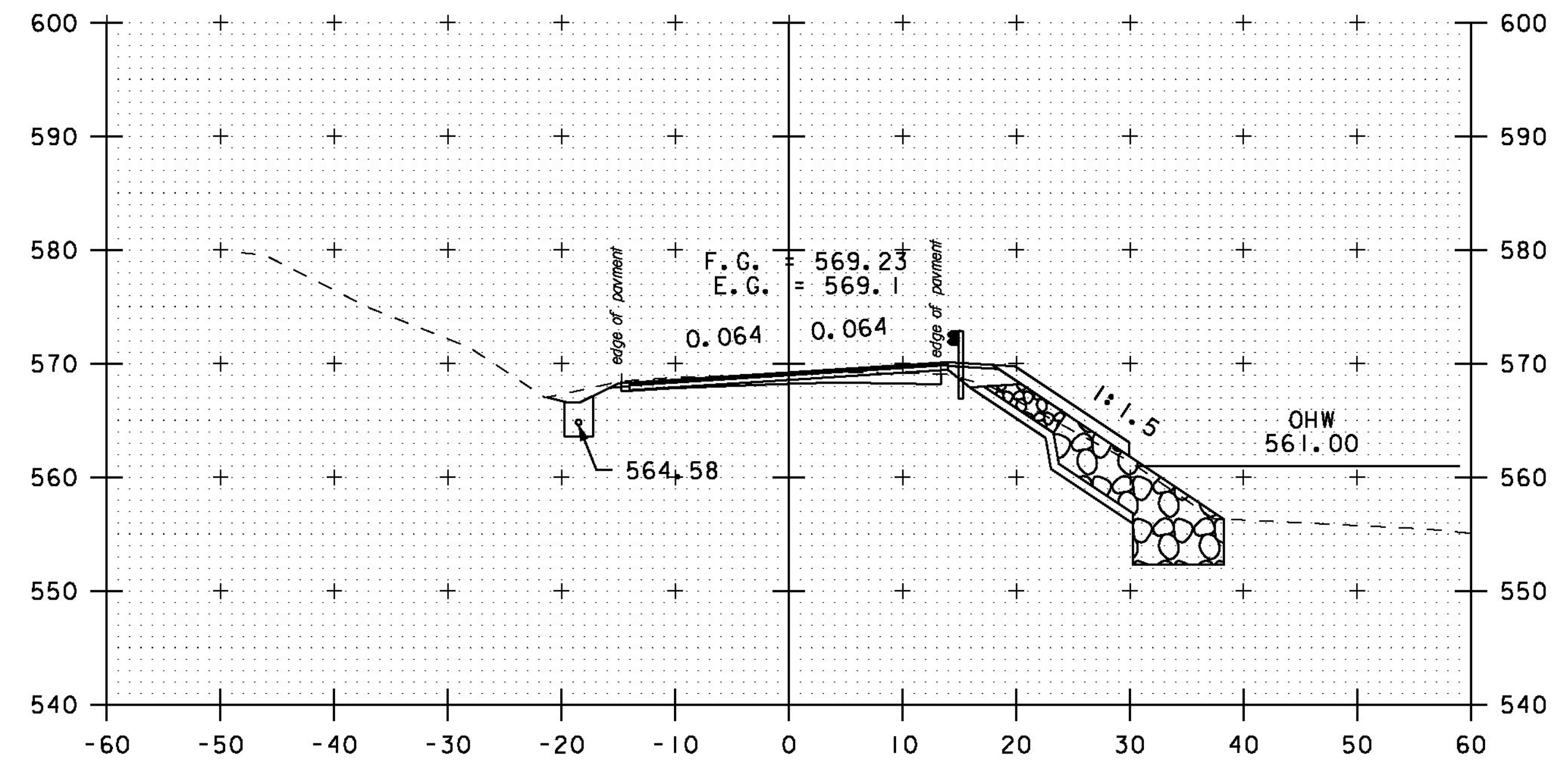
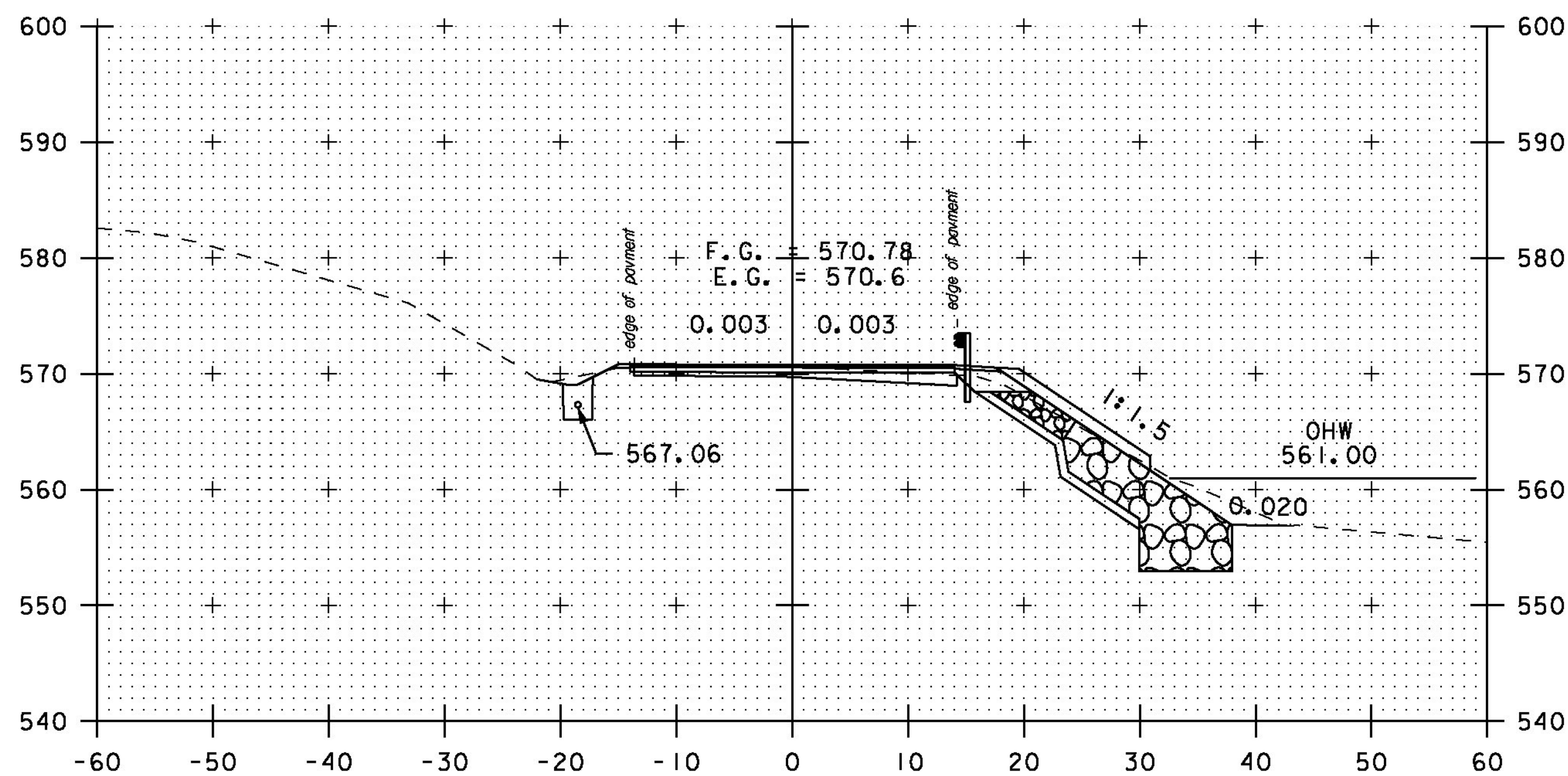


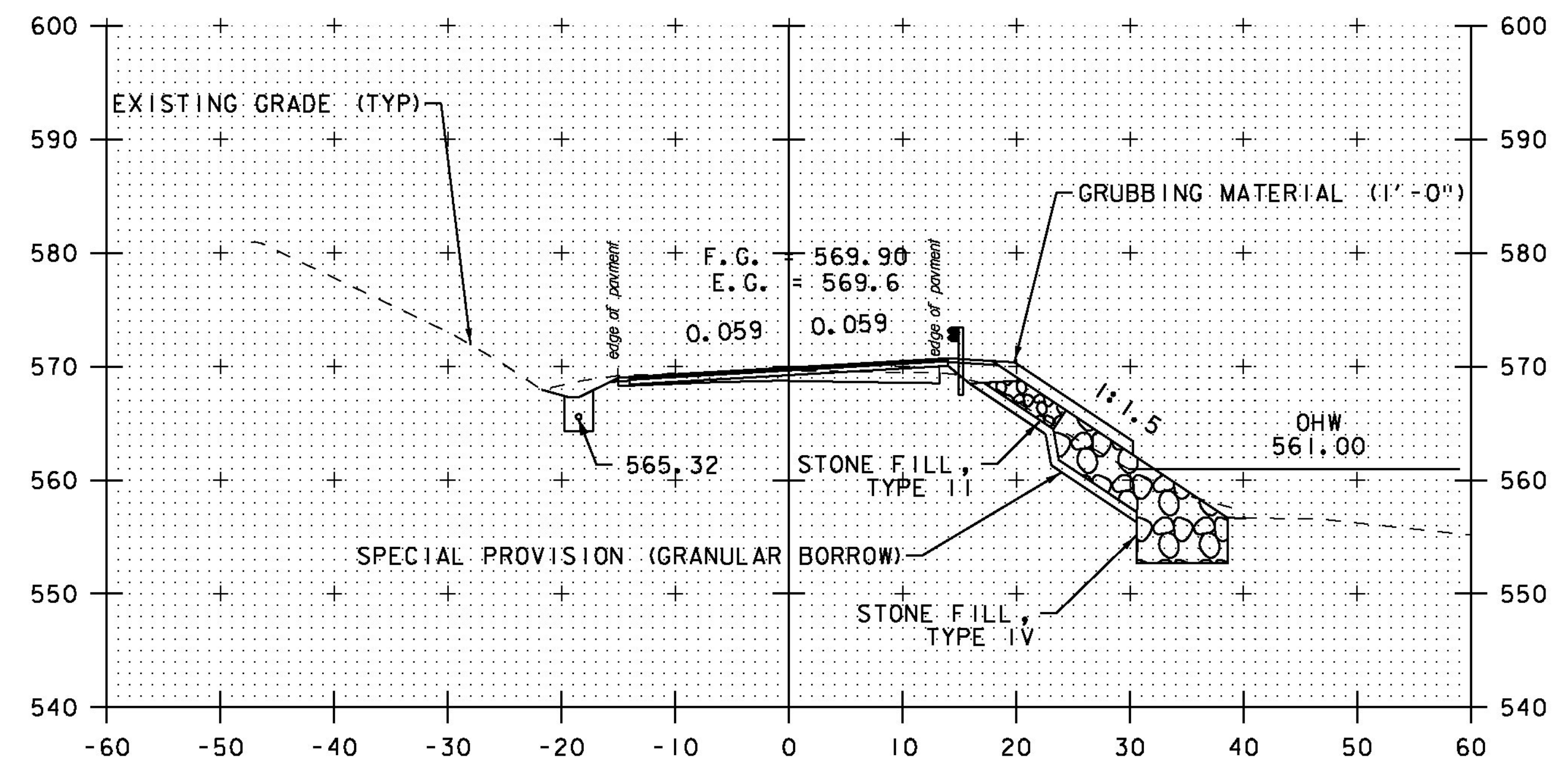
10+00



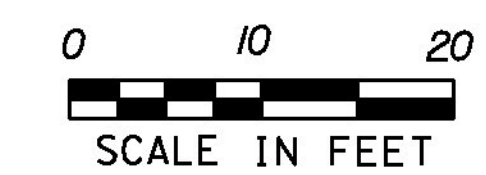
11+00



9+50



10+50



STA. 9+50 TO STA. 11+00

PROJECT NAME: MORETOWN
PROJECT NUMBER: ER STP 0167 (15)

FILE NAME: z12c524xs.dgn
PROJECT LEADER: J. TUCKER
DESIGNED BY: B. BRESLEND
VT 100B CROSS SECTION SHEET 5

PLOT DATE: 2/17/2015
DRAWN BY: B. MACK
CHECKED BY: A. SANZ
SHEET 49 OF 57